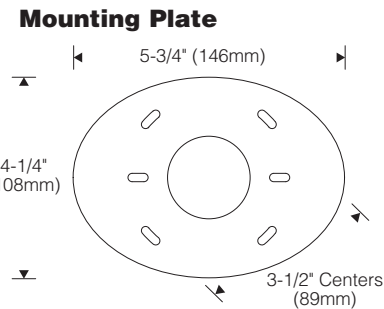
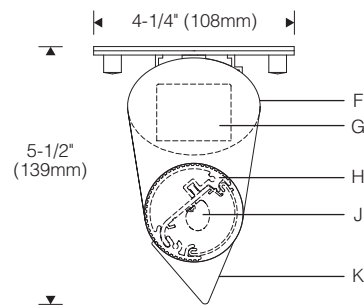
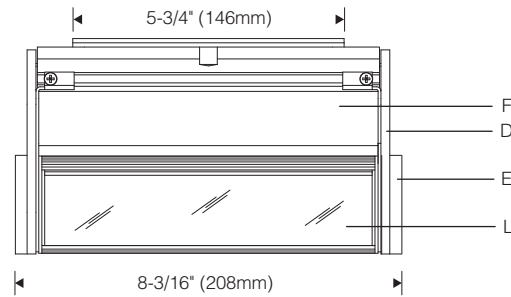
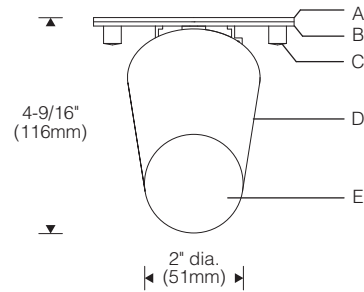
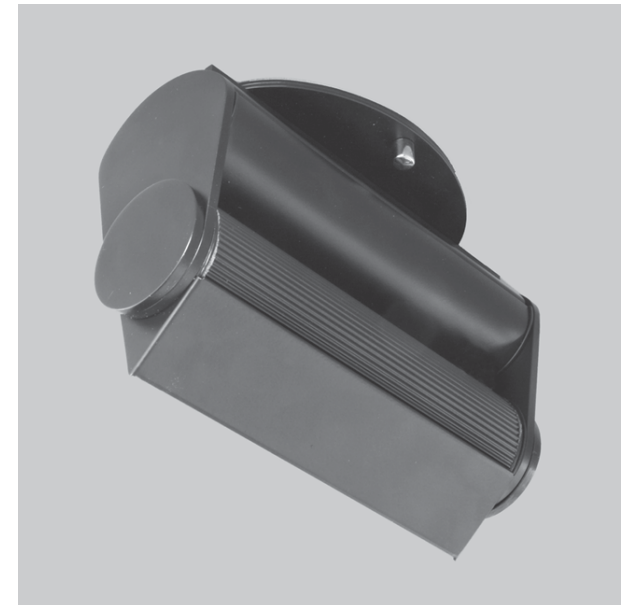
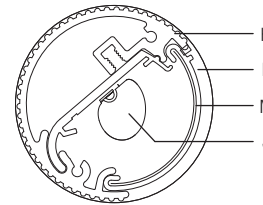


Style S105 1:4 Scale



Optical Assembly 1:2 Scale



Specifications

- | | | | |
|--|---|---|---|
| A Stamped aluminum mounting plate | D Aluminum side arms | H Extruded aluminum heat sink/housing | K Short visor |
| B Aluminum canopy plate | E Decorative knob | J Field serviceable light engine with fraqtir™ asymmetric optic | L Impact resistant extruded lens |
| C Chrome cap nuts | F Extruded aluminum driver housing | | M Holographic diffuser |
| | G Electronic driver | | |

Optic Assembly:

Two-piece extruded aluminum heat sink/optic housing. Exterior heat sink anodized for maximum emissivity. Removable interior extrusion treated to maximize thermal conductivity. Precision formed asymmetric optical light bar of high temperature, water-clear acrylic. Extruded impact resistant, high temperature, acrylic outer protective lens. Elliptical distribution holographic diffuser captured within outer protective lens, maximizes lateral distribution without disturbing asymmetric forward throw.

Finish:

Extruded aluminum heat sink/housing bright anodize, white or black finish. Extruded aluminum driver housing, stamped aluminum mounting plate, canopy, end plates finished white or black.

Painted surfaces – 6 stage pretreatment and electrostatically applied thermoset powder coat for stable, long lasting and corrosion resistant finish.

All hardware – stainless steel or nickel plated brass.

Mounting:

Mounting plate fastens over recessed outlet box. Canopy plate is secured to studs in mounting plate with cap nuts.

Pendant or cantilever ordered separately; specify **X** mount.
Pendant stem – 11/16" O.D. aluminum, internally threaded. 5" dia. x 1/2" aluminum canopy.
Cantilever – 1" x 2" steel arm. Interface plate (under canopy) allows ±5° leveling. Suitable backing structure required.
Track mounting available; specify **K** mount. Consult factory.

Electrical:

Use 90°C wire for supply connections. Integral electronic HPF constant current driver. For complete driver specifications, see website, reference document MA-1303.

Optional electronic dimming driver; compatible dimming controls (by others). See website for dimming compatibility and specifications.

Standard:

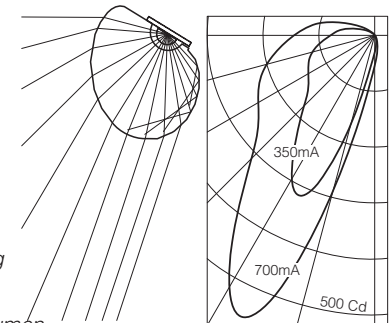
UL listed or CSA certified for dry locations. 5 year warranty, maximum ambient temperature 45°C (113°F).

Features

- **fraqtir** technology – precise asymmetric optical control
- Wide distribution – great vertical and lateral uniformity
- Integral driver – ease of installation
- Serviceability – removable light engine

Performance

fraqtir technology uses a combination of refraction and total internal reflection, creating a distribution of light ideal for illuminating surfaces uniformly. Glare is minimized while light delivered to the target is maximized, resulting in high efficiency.



L90(6k) > 36,000 per TM-21

For photometric and lumen maintenance reports, visit thelightingquotient.com



