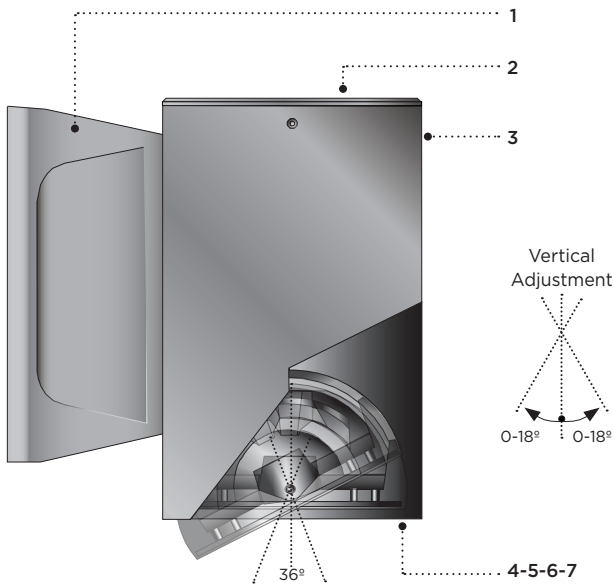


TYPE: \_\_\_\_\_ QUANTITY: \_\_\_\_\_ PROJECT: \_\_\_\_\_

CATALOG NUMBER:

FIXTURE SUFFIX REFLECTOR VOLTAGE FINISH OPTION OPTION OPTION

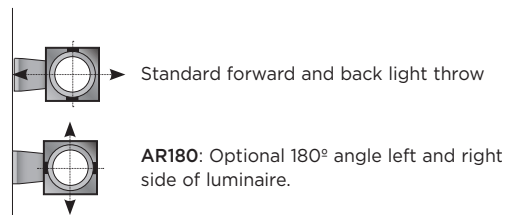


- 1- Cast aluminum driver housing. Includes galvanized steel wall mount pressure plate.
- 2- Cast aluminum ventilated top cover.
- 3- Seamless extruded aluminum housing.
- 4- Fully sealed cast aluminum up or down light assembly.
- 5- Sealed cast aluminum lens frame.
- 6- Clear tempered glass lens.
- 7- Faceted specular aluminum reflector.



All stainless steel hardware.

**Syrios Square LED** light module is designed with a tilting mechanism allowing forward and back light adjustability. The  $\pm 18^\circ$  directional module allows to aim the light beam in the desired direction, without disturbing the luminaire mounting. The module can be secured using the built in locking mechanism.



Other adjustment factory set positions are available. Please consult factory.

### MATERIALS

**Syrios Square LED** is made of corrosion resistant 356 aluminum alloy with a copper (CU) content of less than 0.1%.

The main housing is made of seamless extruded aluminum, with an integrally sealed LED light module designed for optimal heat dissipation, and lighting performance.

**Syrios Square LED** is standard with a unique proprietary design allowing the sealed LED module to tilt within the housing.

The top cast aluminum cover includes ventilation slots allowing air circulation and cooling of assembly.

**Syrios Square LED** SQ800 series is offered standard with 28° optic. See options section for alternate selection.

### ELECTRICAL

**DRIVER** Standard driver is 0-10V dimming-ready (dims to 10%) with: 120-277 multi-volt compatibility (50-60Hz), operating temperature range of  $-40^\circ\text{C}/-40^\circ\text{F}$  to  $55^\circ\text{C}/131^\circ\text{F}$ , output over voltage protection, output over current protection and output short circuit protection with auto-recovery.

**LED** Standard 4000K /80CRI. Optional 2700K, 3000K & 3500K. Optional Amber LED for turtle sensitive areas. Wavelengths: 584.5nm to 597nm.

### LIFE

60,000hrs  $L_{70}B_{50}$  (based on IESNA TM-21 Test Method and LM-80 data). Up to 135,000hrs  $L_{70}B_{50}$  (calculated projection from LM-80 data).

### FINISH

Five-stage preparation process includes preheating of cast aluminum parts for air extraction. Polyester powder coating is applied through an electrostatic process, and oven cured for long term finish.

### MOUNTING

Maximum weight: 24.7lbs (11.2kg)

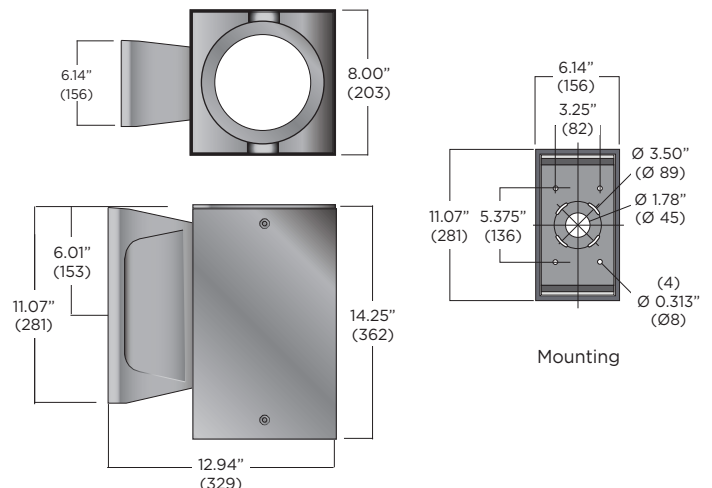
The mounting plate is designed to fit on a 4" (102) octagonal electrical box using 3 1/2" (89) C/C mounting holes.

Additional mounting holes are provided as per site requirements.

### CERTIFICATION


Tested to UL1598 and CSA 22.2 #250. ETL listed wet location.

Rated IP66. CE Certification on request.



# SQ800 SERIES SYRIOS SQUARE - LED

## LUMINAIRE SELECTION

MODEL#	LED LIGHT SELECTION					REFLECTORS*	VOLTAGE	FINISH
 <input type="checkbox"/> SQ800	<b>SUFFIX</b>	<b>INPUT WATTS</b>	<b>DELIVERED LUMENS</b>	<b>CRI</b>	<b>CCT °K</b>	<input type="checkbox"/> <b>R15</b> Narrow optics 12° <small>(not available on L1L75)</small> <input type="checkbox"/> <b>R30</b> Flood optics 28° <small>(standard)</small> <input type="checkbox"/> <b>R40</b> Wide flood optics 38° <input type="checkbox"/> <b>R55</b> Wide flood optics 55° <small>*Depending on direction fixture is installed add U (for uplight) or D (for downlight) to suffix for all reflectors listed above. (i.e. R55U is 55° uplight)</small>	<input type="checkbox"/> 120V <input type="checkbox"/> 277V  Optional <input type="checkbox"/> 347V	<b>STANDARD COLORS</b> <input type="checkbox"/> WHT Snow white <input type="checkbox"/> BKT Jet black <input type="checkbox"/> BZT Bronze <input type="checkbox"/> MST Matte silver <input type="checkbox"/> GRT Titanium gray <input type="checkbox"/> DGT Gun metal <input type="checkbox"/> CHT Champagne <small>(Refer to color chart)</small>  <b>OPTIONAL COLORS</b> <input type="checkbox"/> CS Custom color <input type="checkbox"/> RAL RAL# color  <b>NATATORIUM SUITED COLORS</b> <input type="checkbox"/> NWHT White <input type="checkbox"/> NBKT Black
	<input type="checkbox"/> L1L20 22W 2157 80 4000 <input type="checkbox"/> L1L35 40W 3572 80 4000 <input type="checkbox"/> L1L50 54W 5357 80 4000 <input type="checkbox"/> L1L75 77W 7440 80 4000	<b>AMBER LED</b> <input type="checkbox"/> L1L4K2A 11W 440 AMBER						
	<b>VERY NARROW DISTRIBUTION</b> <input type="checkbox"/> L1L30NR 50W 2954 80 4000							

## OPTIONS

### ELECTRICAL

- FS** Fuse
- PH** Photocell<sup>1</sup>
- 347L** Step down transformer for 347V input
- MS** PIR motion sensor (Device is located at bottom of luminaire wall box)
- REML2-50** 7W remote emergency battery backup for LED, 90 min Remote mount 50ft - 12" (305) square enclosure with access cover<sup>2</sup>

### MOUNTING

- SWK** Adaptor box for surface 3/4" conduit feed (4 sides plus back entry)

### ACCESSORIES

- HL** Hexcell louver
- SL** Solite lens
- LSL** Linear spread lens (Asymmetric lens distribution is achieved when light module is tilted)

### LIGHT & OPTICS

Alternate CCT °K LED (LCF: Lumen conversion factor)

- K27** 2700K CCT 80 CRI (LCF: 0.91)<sup>3</sup>
- K3** 3000K CCT 80 CRI (LCF: 0.94)
- K35** 3500K CCT 80 CRI (LCF: 0.983)<sup>3</sup>

NOTE: Other CCT & higher CRI available, please consult factory.

- AR180** Light module with side to side adjustment

### NOTES

- 1- Photocell (PH) not available with REML2-50 option.
- 2- The remote enclosure must be interior.
- 3- Please consult factory when selecting K27 or K35 in conjunction with R9 (very narrow optics)

**LUMINIS**®

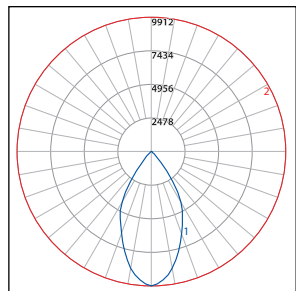
LUMINIS | Toll free: 866.586.4647 Fax: 514.683.8872 Email: info@luminis.com  
260 Labrosse, Pointe-Claire (QC) Canada H9R 5L5

Luminaires may be altered for design improvement or discontinued without prior notice.

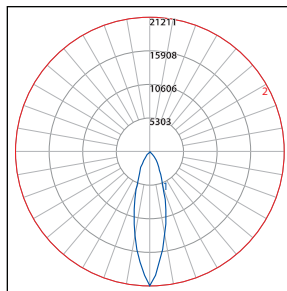
LUMINIS.COM

June 2019 Rev.0

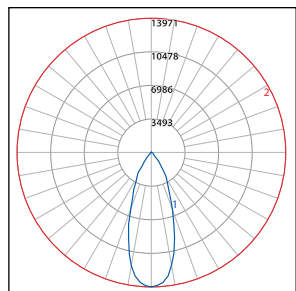
## TYPICAL PHOTOMETRY SUMMARY



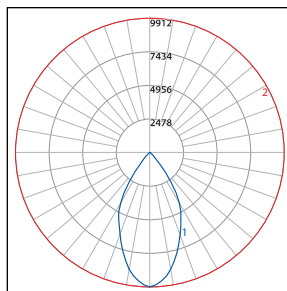
**Descriptive Information**  
 SQ800-L1L50-R15  
 Total Lms: 4528 Lumens  
 Total Input Watts: 55 W  
 Efficacy: 82 Lumens/Watt  
 BUG: B3-U0-G0  
 CCT/CRI: 4000K/80  
 Maximum Candela: 48778 @ 0 deg



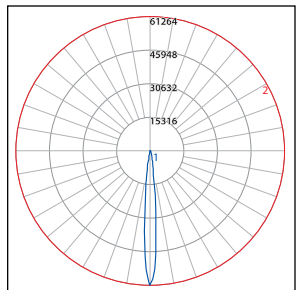
**Descriptive Information**  
 SQ800-L1L75-R30  
 Total Lms: 7440 Lumens  
 Total Input Watts: 77 W  
 Efficacy: 97 Lumens/Watt  
 BUG: B4-U0-G0  
 CCT/CRI: 4000K/80  
 Maximum Candela: 21211 @ 0 deg



**Descriptive Information**  
 SQ800-L1L75-R40  
 Total Lms: 7067 Lumens  
 Total Input Watts: 77 W  
 Efficacy: 92 Lumens/Watt  
 BUG: B4-U0-G0  
 CCT/CRI: 4000K/80  
 Maximum Candela: 13971 @ 0 deg



**Descriptive Information**  
 SQ800-L1L75-R55  
 Total Lms: 7528 Lumens  
 Total Input Watts: 77 W  
 Efficacy: 98 Lumens/Watt  
 BUG: B4-U0-G0  
 CCT/CRI: 4000K/80  
 Maximum Candela: 9912 @ 0 deg



**Descriptive Information**  
 SQ800-L1L30NR-R9  
 Total Lms: 2954 Lumens  
 Total Input Watts: 50 W  
 Efficacy: 59 Lumens/Watt  
 BUG: B3-U0-G0  
 CCT/CRI: 4000K/80  
 Maximum Candela: 64940 @ 0 deg

Please visit our web site [www.luminis.com](http://www.luminis.com) for complete I.E.S. formatted download data.