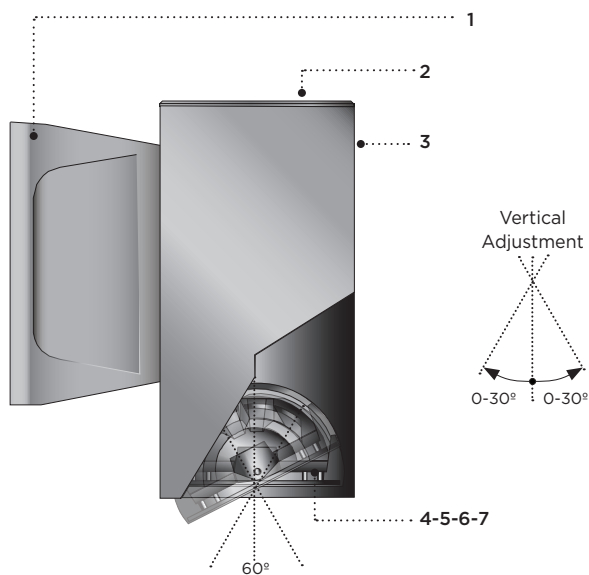


TYPE: _____ QUANTITY: _____ PROJECT: _____

CATALOG NUMBER:

FIXTURE SUFFIX REFLECTOR VOLTAGE FINISH OPTION OPTION OPTION

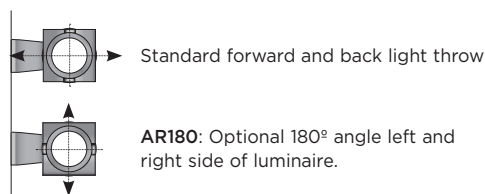


- 1- Cast aluminum driver housing. Includes galvanized steel wall mount pressure plate.
- 2- Cast aluminum ventilated top cover.
- 3- Seamless extruded aluminum housing.
- 4- Fully sealed cast aluminum up or down light assembly.
- 5- Sealed cast aluminum lens frame.
- 6- Clear tempered glass lens.
- 7- Faceted specular aluminum reflector.



All stainless steel hardware.

Syrios Square LED light module is designed with a tilting mechanism allowing forward and back light adjustability. The $\pm 30^\circ$ directional module allows to aim the light beam in the desired direction, without disturbing the luminaire mounting. The module can be secured using the built in locking mechanism.



Other adjustment factory set positions are available. Please consult factory.

MATERIALS

Syrios Square LED is made of corrosion resistant 356 aluminum alloy with a copper (CU) content of less than 0.1%.

The main housing is made of seamless extruded aluminum, with an integrally sealed LED light module designed for optimal heat dissipation, and lighting performance.

Syrios Square LED is standard with a unique proprietary design allowing the sealed LED module to tilt within the housing.

The top cast aluminum cover includes ventilation slots allowing air circulation and cooling of assembly.

Syrios Square LED SQ600 series is standard with 30° optic. See options section for alternate selection.

ELECTRICAL

DRIVER Standard driver is 0-10V dimming-ready (dims to 10%) with: 120-277 multi-volt compatibility (50-60Hz), operating temperature range of $-40^\circ\text{C}/-40^\circ\text{F}$ to $55^\circ\text{C}/131^\circ\text{F}$, output over voltage protection, output over current protection and output short circuit protection with auto-recovery.

LED Standard 4000K /80CRI. Optional 2700K, 3000K & 3500K. Optional Amber LED for turtle sensitive areas. Wavelengths: 584.5nm to 597nm.

LIFE

60,000hrs $L_{70}B_{50}$ (based on IESNA TM-21 Test Method and LM-80 data).
Up to 70,000hrs $L_{70}B_{50}$ (calculated projection from LM-80 data).

FINISH

Five-stage preparation process includes preheating of cast aluminum parts for air extraction. Polyester powder coating is applied through an electrostatic process, and oven cured for long term finish.

MOUNTING

Maximum weight: 9.5lbs (4.3kg)

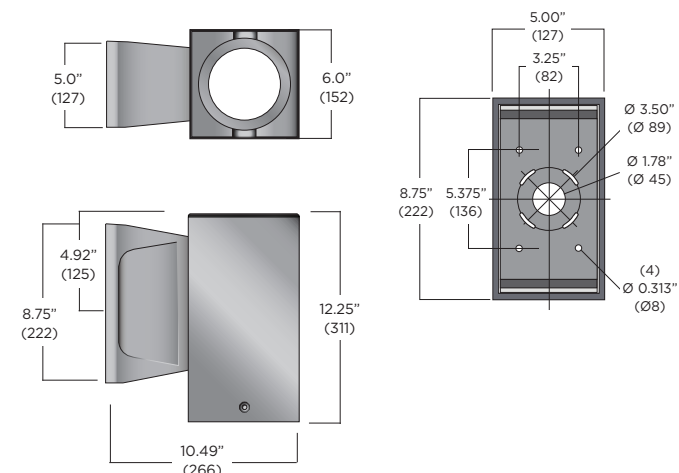
The mounting plate is designed to fit on a 4" (102) octagonal electrical box using 3 1/2" (89) C/C mounting holes.

Additional mounting holes are provided as per site requirements.

CERTIFICATION


Tested to UL1598 and CSA 22.2 #250. ETL listed wet location.

Rated IP66. CE Certification on request.



SQ600 SERIES SYRIOS SQUARE - LED

LUMINAIRE SELECTION

MODEL#	LED LIGHT SELECTION					REFLECTORS*	VOLTAGE	FINISH
 <input type="checkbox"/> SQ600	SUFFIX <input type="checkbox"/> L1L15 <input type="checkbox"/> L1L25 <input type="checkbox"/> L1L40	INPUT WATTS 15W 26W 48W	DELIVERED LUMENS 1599 2543 4102	CRI 80 80 80	CCT °K 4000 4000 4000	<input type="checkbox"/> R15 Narrow optics 15° <input type="checkbox"/> R30 Flood optics 30° (standard) <input type="checkbox"/> R55 Wide flood optics 52° <small>*Depending on direction fixture is installed add U (for uplight) or D (for downlight) to suffix for all reflectors listed above. (i.e. R55U is 52° uplight)</small>	<input type="checkbox"/> 120V <input type="checkbox"/> 277V Optional <input type="checkbox"/> 347V	STANDARD COLORS <input type="checkbox"/> WHT Snow white <input type="checkbox"/> BKT Jet black <input type="checkbox"/> BZT Bronze <input type="checkbox"/> MST Matte silver <input type="checkbox"/> GRT Titanium gray <input type="checkbox"/> DGT Gun metal <input type="checkbox"/> CHT Champagne (Refer to color chart) OPTIONAL COLORS <input type="checkbox"/> CS Custom color <input type="checkbox"/> RAL RAL# color NATATORIUM SUITED COLORS <input type="checkbox"/> NWHT White <input type="checkbox"/> NBKT Black
	AMBER LED <input type="checkbox"/> L1L3K2A	11W	263	AMBER		<input type="checkbox"/> R9 Very narrow optics 9° Field angle 18° (46,151 candela)		
	VERY NARROW DISTRIBUTION <input type="checkbox"/> L1L20NR	31W	1690	80	4000			

OPTIONS

ELECTRICAL

- FS** Fuse
- PH** Photocell¹
- 347L** Step down transformer for 347V input
- MS** PIR motion sensor (Device is located at bottom of luminaire wall box)
- REML2-50** 7W remote emergency battery backup for LED, 90 min Remote mount 50ft - 12" (305) square enclosure with access cover²

MOUNTING

- SWK** Adaptor box for surface 3/4" conduit feed (4 sides plus back entry)

ACCESSORIES

- HL** Hexcell louver
- SL** Solite lens
- LSL** Linear spread lens (Asymmetric lens distribution is achieved when light module is tilted)

LIGHT & OPTICS

Alternate CCT °K LED (LCF: Lumen conversion factor)

- K27** 2700K CCT 80 CRI (LCF: 0.91)³
- K3** 3000K CCT 80 CRI (LCF: 0.94)
- K35** 3500K CCT 80 CRI (LCF: 0.983)³

NOTE: Other CCT & higher CRI available, please consult factory.

- AR180** Light module with side to side adjustment

NOTES

- 1- Photocell (PH) not available with REML2-50 option.
- 2- The remote enclosure must be interior.
- 3- Please consult factory when selecting K27 or K35 in conjunction with R9 (very narrow optics)

LUMINIS®

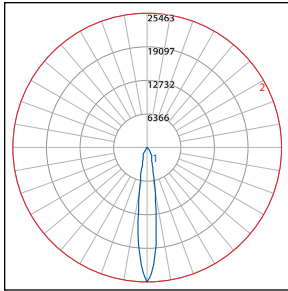
LUMINIS | Toll free: 866.586.4647 Fax: 514.683.8872 Email: info@luminis.com
260 Labrosse, Pointe-Claire (QC) Canada H9R 5L5

Luminaires may be altered for design improvement or discontinued without prior notice.

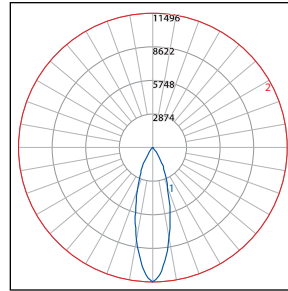
LUMINIS.COM

June 2019 Rev.0

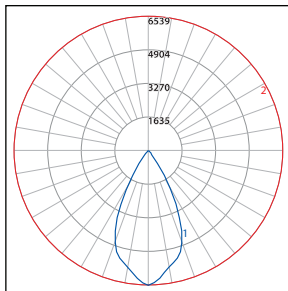
TYPICAL PHOTOMETRY SUMMARY



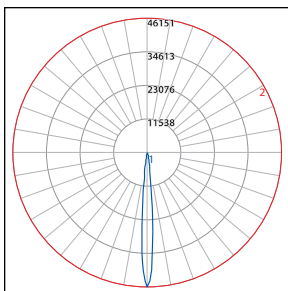
Descriptive Information
 SQ600-L1L40-R15
 Total Lms: 3998 Lumens
 Total Input Watts: 48 W
 Efficacy: 83 Lumens/Watt
 BUG: B3-U0-G0
 CCT/CRI: 4000K/80
 Maximum Candela: 25463 @ 0 deg



Descriptive Information
 SQ600-L1L40-R30
 Total Lms: 4102 Lumens
 Total Input Watts: 48 W
 Efficacy: 85 Lumens/Watt
 BUG: B3-U0-G0
 CCT/CRI: 4000K/80
 Maximum Candela: 11496 @ 0 deg



Descriptive Information
 SQ600-L1L40-R55
 Total Lms: 4369 Lumens
 Total Input Watts: 48 W
 Efficacy: 91 Lumens/Watt
 BUG: B3-U0-G0
 CCT/CRI: 4000K/80
 Maximum Candela: 6539 @ 0 deg



Descriptive Information
 SQ600-L1L20NR-R9
 Total Lms: 1690 Lumens
 Total Input Watts: 31 W
 Efficacy: 55 Lumens/Watt
 BUG: B2-U0-G0
 CCT/CRI: 4000K/80
 Maximum Candela: 46151 @ 0 deg

Please visit our web site www.luminis.com for complete I.E.S. formatted download data.