

grid
seem™ 6



features

Narrow 6" aperture slot fluorescent luminaire that integrates with the ceiling for a clean unobtrusive aesthetic.

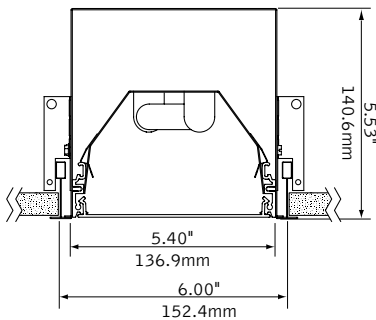
Frosted acrylic flush lens provides even illumination, high performance lens also available for increased efficiency. Parabolic Louver also available.

Allows for individual and continuous row mount in grid applications.

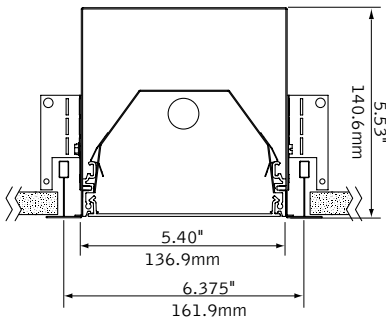
Available in 1 or 2 lamp T5, T5HO or T8 configurations, Seem 6 provides continuous illumination by combining 3' and 4' staggered lamps. Specify 1 lamp for even appearance and minimal lamp image, or 2 lamps when higher light levels are required.

dimensional data

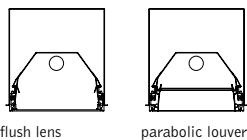
9/16" grid



15/16" grid



shielding options



shielding option companion luminaires



parabolic louver

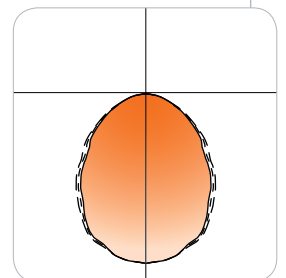


seem 4

performance

1-Lamp T5
High Performance
Lens
73% Efficiency
922 cd @ 0°

1-Lamp T5
Flush Satin Lens
60% Efficiency
619 cd @ 5°

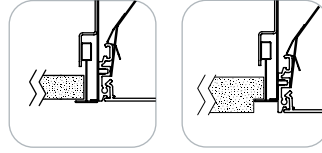
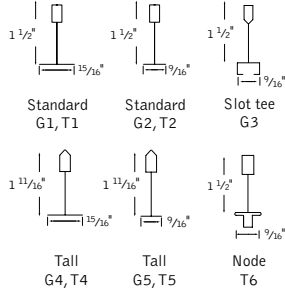


Visit focalpointlights.com for complete photometric data.

fixture:
project:

mounting information

grid



lay-in tile (G) tegular tile (T)

Luminaire always rests at level of tile.

specifications

construction

Die-formed one-piece 20 Ga. steel housing with extruded aluminum reflector and lens attachment rails.
16 Ga. internal bulkhead. 20 Ga. steel end caps.
Earthquake brackets supplied as standard.
Lengths 6' and longer configured with staggered lamps (6' & 8' T8 configured with non-staggered lamps).

1-lamp T8:	4.47" overlap
2-lamp T8:	9.35" overlap
1-lamp T5/T5HO:	4.35" overlap
2-lamp T5/T5HO:	2.00" overlap

2' unit weight:	9lbs.
3' unit weight:	13lbs.
4' unit weight:	17lbs.
5' unit weight:	20lbs.
6' unit weight:	23lbs.
8' unit weight:	31lbs.

optic

Reflectors fabricated of 20 Ga. steel finished in High Reflectance White powder coat.
Flush satin lens: extruded acrylic lens .07" thick with satin finish.
High performance flush lens: extruded acrylic lens .07" thick with increased light transmission.
Parabolic louver: .75"H x 1.5" frequency fabricated of low iridescent, semi-specular premium grade aluminum.

electrical

Luminaires are pre-wired with factory installed branch circuit wiring and over-molded quick connects.
Electronic fluorescent ballasts are thermally protected and have a Class "P" rating.
Optional dimming ballasts available.
UL and cUL listed.

finish

Housing: High reflectance white pre-paint
Aluminum Rails: Polyester powder coat applied over a 5-stage pre-treatment

ordering

luminaire series FSM6

Seem 6 FSM6

shielding

Flush Satin Lens FL
High Performance Flush Lens (lamp image may be visible) FLXP
Parabolic Louver PL

lampping

One Lamp T8 1T8
Two Lamp T8 2T8
One Lamp T5 1T5
Two Lamp T5 2T5
One Lamp T5HO 1T5HO
Two Lamp T5HO 2T5HO

circuits

Single Circuit 1C
Dual Circuit 2C
(2-lamp luminaires only)

voltage

120 Volt 120
277 Volt 277
347 Volt 347

ballast

Electronic Instant Start <20% THD (T8 only) E
Electronic Program Start <10% THD S
Electronic Dimming Ballast* D

ceiling configurations

(9/16" grid = 6.000" tee spacing
15/16" grid = 6.375" tee spacing)
Std. 15/16" Lay-in G1
Std. 15/16" Tegular T1
Std. 9/16" Lay-in G2
Std. 9/16" Tegular T2
9/16" Slot-tee Tegular G3
Tall 15/16" Lay-in G4
Tall 15/16" Tegular T4
Tall 9/16" Lay-in G5
Tall 9/16" Tegular T5
Node 9/16" Tegular T6

factory options

Chicago Plenum CP
Emergency Circuit* EC
Emergency Battery Pack* EM
Flex Whip* FW
HLR/GLR Fuse FU
Include 3000K lamp L830
Include 3500K lamp L835
Include 4100K lamp L841

finish

Matte White WH

luminaire length

(designed to fit standard grid lengths)
Specify luminaire/row length in 1' increments X'
(lengths 6' and longer configured with staggered lamps. 6' & 8' 2-lamp T8 configured with non-staggered lamps)

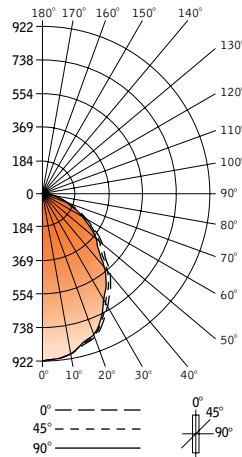
* for more information see Reference section.

recessed seem® 6



Filename: FSM6FLXP1T5.IES
 Catalog #: FSM6-FLXP-1T5-1C-120-S-WH-4'
 Efficiency: 73%
 Test #: 16086.0

CANDLEPOWER DISTRIBUTION



Vertical Angle	Horizontal Angle				Zonal Lumens
	0°	22.5°	45°	67.5°	
0°	922	922	922	922	922
5°	916	918	916	915	916
15°	865	865	862	859	856
25°	792	790	781	771	770
35°	657	653	639	623	617
45°	484	476	459	444	437
55°	361	355	341	326	320
65°	224	220	210	202	199
75°	113	111	108	103	102
85°	31	29	29	28	27
90°	0	0	0	0	0
95°	0	0	0	0	0
105°	0	0	0	0	0
115°	0	0	0	0	0
125°	0	0	0	0	0
135°	0	0	0	0	0
145°	0	0	0	0	0
155°	0	0	0	0	0
165°	0	0	0	0	0
175°	0	0	0	0	0
180°	0	0	0	0	0

LUMEN SUMMARY

Zone	Lumens	% Lamp	% Fixt
0°-30°	639	23.9	32.8
0°-40°	1094	37.7	51.8
0°-60°	1756	60.5	83.2
0°-90°	2110	72.8	100
Total Luminaire	2110	72.8	100

LUMINANCE DATA (CD/M²)

Vertical Angle	0°	45°	90°
45°	4371	4145	3946
55°	4019	3796	3563
65°	3385	3173	3007
75°	2788	2665	2517
85°	271	2125	1978

CO-EFFICIENTS OF UTILIZATION

Floor	80			70			20			50			30			10			00			
Ceiling	70	50	30	10	70	50	30	10	50	10	50	10	50	10	50	10	00	50	10	00		
Wall	87	87	87	87	85	85	85	85	81	81	77	77	74	74	73	73	74	74	73			
RCR	0	1	2	3	4	5	6	7	8	9	10	0	1	2	3	4	5	6	7	8	9	10
1	80	77	74	72	78	76	74	73	69	70	67	67	65	63	63	67	65	63	63	61	59	57
2	74	69	64	61	72	67	60	65	59	63	57	63	57	60	56	60	56	55	55	53	51	49
3	68	61	56	52	67	60	51	58	51	56	50	56	50	55	49	47	47	47	47	45	43	41
4	63	55	49	45	61	54	45	52	44	51	43	51	43	49	43	41	41	41	41	39	37	35
5	58	49	43	39	56	48	38	47	38	45	38	45	38	44	37	36	36	36	36	34	32	30
6	53	44	38	34	52	44	34	42	33	41	33	41	33	40	33	31	31	31	31	29	27	25
7	49	40	34	30	42	40	30	38	30	37	29	36	29	36	29	28	28	28	28	26	24	22
8	46	36	30	26	45	36	26	35	26	34	26	33	26	33	26	24	24	24	24	22	20	18
9	42	33	27	23	41	32	23	31	23	31	23	31	23	30	22	21	21	21	21	19	17	15
10	39	30	24	20	38	29	20	29	20	28	20	27	20	27	20	19	19	19	19	17	15	13

Numbers indicate percentage values of reflectivity.

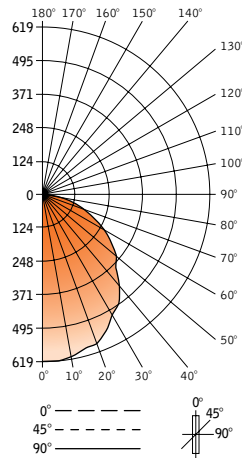
Go to www.focalpointlights.com for additional photometric data.

recessed seem® 6



Filename: FSM6FL1T5.IES
 Catalog #: FSM6-FL-1T5-1C-120-S-WH-4'
 Efficiency: 60%
 Test #: 16085.0

CANDLEPOWER DISTRIBUTION



Vertical Angle	Horizontal Angle				Zonal Lumens
	0°	22.5°	45°	67.5°	
0°	617	617	617	617	617
5°	619	617	617	617	617
15°	592	592	592	592	592
25°	559	558	558	559	559
35°	492	492	492	492	492
45°	384	384	384	384	385
55°	311	311	311	313	311
65°	212	212	212	213	213
75°	115	116	118	118	118
85°	31	32	31	32	32
90°	0	0	0	0	0
95°	0	0	0	0	0
105°	0	0	0	0	0
115°	0	0	0	0	0
125°	0	0	0	0	0
135°	0	0	0	0	0
145°	0	0	0	0	0
155°	0	0	0	0	0
165°	0	0	0	0	0
175°	0	0	0	0	0
180°	0	0	0	0	0

LUMEN SUMMARY

Zone	Lumens	% Lamp	% Fixt
0°-30°	485	16.7	27.9
0°-40°	794	27.4	45.6
0°-60°	1371	47.3	78.8
0°-90°	1740	60.0	100
Total Luminaire	1740	60.0	100

LUMINANCE DATA (CD/M²)

Vertical Angle	0°	45°	90°
45°	3468	3468	3477
55°	3462	3462	3462
65°	3203	3203	3218
75°	2837	2911	2911
85°	2271	2271	2344

CO-EFFICIENTS OF UTILIZATION

Floor	80			70			20			50			30			10			00			
Ceiling	70	50	30	10	70	50	30	10	50	10	50	10	50	10	50	10	00	50	10	00		
Wall	71	71	71	71	70	70	70	70	67	67	64	64	61	61	60	60	64	64	61			
RCR	0	1	2	3	4	5	6	7	8	9	10	0	1	2	3	4	5	6	7	8	9	10
1	66	63	61	58	64	62	57	59	56	57	54	55	52	51	51	55	52	51	51	49	47	45
2	60	55	52	48	59	54	48	52	47	50	46	48	45	43	43	48	45	43	43	41	39	37
3	55	49	44	41	54	48	40	46	40	45	39	43	38	37	43	38	37	37	37	35	33	31
4	51	44	39	35	49	43	34	41	34	40	34	39	33	32	39	33	32	32	32	30	28	26
5	46	39	33	29	45	38	29	37	29	36	29	34	28	27	34	28	27	27	27	25	23	21
6	43	35	29	26	41	34	26	33	25	32	25	32	25	24	31	25	24	24	24	22	20	18
7	39	31	26	22	38	31	22	30	22	29	22	29	22	21	28	22	21	21	21	19	17	15
8	36	28	23	19	35	27	19	27	19	26	19	25	19	18	25	19	18	18	18	16	14	12
9	33	25	20	17	32	25	17	24	17	23	16	23	16	15	23	16	15	15	15	13	11	9
10	32	23	18	15	30	22	15	22	15	21	15	21	15	14	21	14	13	13	13	11	9	7

Numbers indicate percentage values of reflectivity.

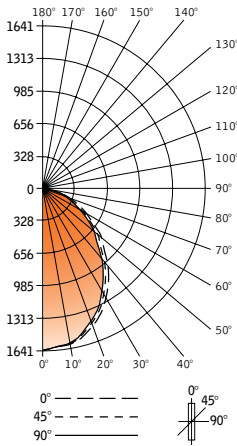
Go to www.focalpointlights.com for additional photometric data.

recessed seem® 6



Filename: FSM6FLXP2T5.IES
 Catalog #: FSM6-FLXP-2T5-1C-120-S-WH-4'
 Efficiency: 64%
 Test #: 16084.0

CANDLEPOWER DISTRIBUTION



Vertical Angle	Horizontal Angle				Zonal Lumens
	0°	22.5°	45°	67.5°	
0°	1641	1641	1641	1641	1641
5°	1615	1614	1612	1612	1609
15°	1552	1547	1540	1529	1526
25°	1395	1385	1362	1341	1330
35°	1151	1138	1106	1072	1063
45°	869	853	816	787	771
55°	641	627	598	570	561
65°	400	390	371	355	345
75°	198	196	187	179	177
85°	55	55	52	50	49
90°	0	0	0	0	0
95°	0	0	0	0	0
105°	0	0	0	0	0
115°	0	0	0	0	0
125°	0	0	0	0	0
135°	0	0	0	0	0
145°	0	0	0	0	0
155°	0	0	0	0	0
165°	0	0	0	0	0
175°	0	0	0	0	0
180°	0	0	0	0	0

LUMEN SUMMARY

Zone	Lumens	% Lamp	% Fixt
0°-30°	1221	21.0	32.9
0°-40°	1915	33.0	51.6
0°-60°	3087	53.2	83.2
0°-90°	3712	64.0	100
Total Luminaire	3712	64.0	100

LUMINANCE DATA (CD/M²)

Vertical Angle	0°	45°	90°
45°	7848	7369	6963
55°	7136	6657	6246
65°	6044	5606	5213
75°	4885	4614	4367
85°	4030	3810	3590

CO-EFFICIENTS OF UTILIZATION

Floor	80	70	20	50	30	10	00
Ceiling	70	50	30	10	70	50	10
Wall	76	76	76	76	74	74	74
RCR 0	76	76	76	76	71	71	69
1	71	68	66	63	69	66	62
2	65	60	57	53	63	59	53
3	60	54	49	46	59	53	45
4	55	48	43	39	54	48	39
5	51	43	38	34	50	43	34
6	47	39	34	30	46	38	30
7	43	35	30	26	42	35	26
8	40	32	27	23	39	31	23
9	37	29	24	20	36	28	20
10	34	26	21	18	34	26	18

Numbers indicate percentage values of reflectivity.

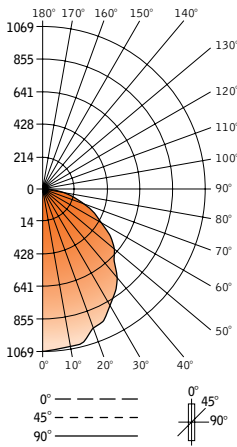
Go to www.focalpointlights.com for additional photometric data.

recessed seem® 6



Filename: FSM6FL2T5.IES
 Catalog #: FSM6-FL-2T5-1C-120-S-WH-4'
 Efficiency: 52%
 Test #: 16083.0

CANDLEPOWER DISTRIBUTION



Vertical Angle	Horizontal Angle				Zonal Lumens
	0°	22.5°	45°	67.5°	
0°	1069	1069	1069	1069	1069
5°	1062	1062	1061	1061	1062
15°	1046	1046	1046	1046	1046
25°	958	958	958	958	958
35°	838	838	838	838	836
45°	670	670	668	670	671
55°	543	541	546	546	543
65°	369	369	371	372	373
75°	204	204	204	204	206
85°	57	57	57	57	57
90°	0	0	0	0	0
95°	0	0	0	0	0
105°	0	0	0	0	0
115°	0	0	0	0	0
125°	0	0	0	0	0
135°	0	0	0	0	0
145°	0	0	0	0	0
155°	0	0	0	0	0
165°	0	0	0	0	0
175°	0	0	0	0	0
180°	0	0	0	0	0

LUMEN SUMMARY

Zone	Lumens	% Lamp	% Fixt
0°-30°	841	14.5	27.9
0°-40°	1368	23.6	45.3
0°-60°	2374	40.9	78.6
0°-90°	3020	52.1	100
Total Luminaire	3020	52.1	100

LUMINANCE DATA (CD/M²)

Vertical Angle	0°	45°	90°
45°	6050	6032	6059
55°	6045	6079	6045
65°	5575	5606	5636
75°	5033	5033	5082
85°	4176	4176	4176

CO-EFFICIENTS OF UTILIZATION

Floor	80	70	20	50	30	10	00
Ceiling	70	50	30	10	70	50	10
Wall	62	62	62	62	61	61	61
RCR 0	62	62	62	62	58	58	55
1	57	55	53	51	56	53	50
2	52	48	45	42	51	47	41
3	48	43	39	35	47	42	35
4	44	38	33	30	43	37	30
5	40	33	29	25	39	33	25
6	37	30	25	22	36	29	22
7	34	27	22	19	33	27	19
8	31	24	20	17	30	24	17
9	29	22	17	14	28	21	14
10	27	20	16	13	26	19	13

Numbers indicate percentage values of reflectivity.

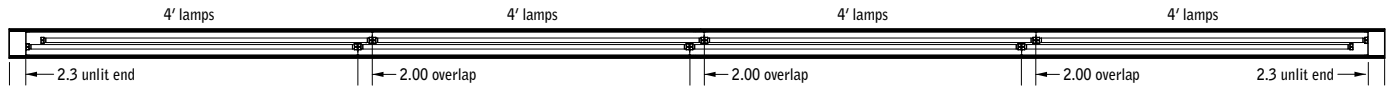
Go to www.focalpointlights.com for additional photometric data.

seem® 4 & 6 run information

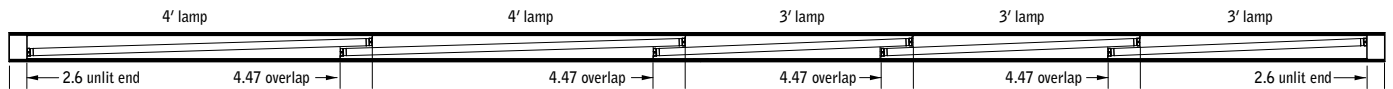
EXAMPLE 16' run



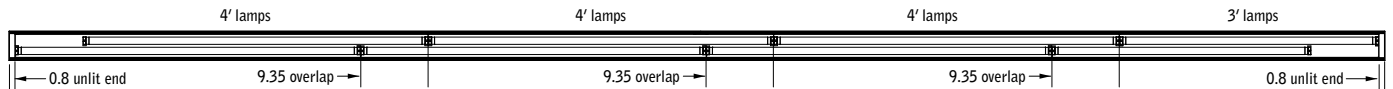
1-T5/T5H0



2-T5/T5H0 (may exhibit noticeable socket shadows)



1-T8



2-T8 (may exhibit noticeable socket shadows)

notes:

- lamp overlap is consistent throughout run.
- unlit ends vary to provide even light throughout run.
- standard configurations listed, consult factory for additional options.

seem® 4 & 6 run information

nominal run length (ft)	1-T5/T5H0 (4.35" overlap)			2-T5/T5H0 (2.00" overlap)			1-T8 (4.47" overlap)			2-T8 (9.35" overlap)		
	lamp quantity		unlit ends (in)	lamp quantity		unlit ends (in)	lamp quantity		unlit ends (in)	lamp quantity		unlit ends (in)
	3'	4'		3'	4'		3'	4'		3'	4'	
6	2		3.5	4		0.2	2		1.8	n/a	n/a	n/a
7	1	1	3.6	2	2	0.3	1	1	1.8	4		0.8
8	3		0.5		4	0.4		2	1.8	2	2	0.8
9	2	1	0.6	6		1.1	3		4.0		4	0.9
10	1	2	0.6	4	2	1.2	2	1	4.1	6		0.8
11		3	0.8	2	4	1.3	4		0.3	4	2	0.8
12	3	1	3.7		6	1.3	3	1	0.3	2	4	0.8
13	5		0.7	6	2	2.1	2	2	0.3		6	0.8
14	4	1	0.8	4	4	2.2	1	3	0.3	6	2	0.8
15	3	2	0.8	2	6	2.3		4	0.3	4	4	0.8
16	2	3	1.0		8	2.3	3	2	2.6	2	6	0.8
17	1	4	1.1	6	4	3.0	2	3	2.6		8	0.8
18		5	1.1	4	6	3.1	1	4	2.6	6	4	0.8
19	6	1	0.8	2	8	3.2	7		1.0	4	6	0.8
20	5	2	0.8		10	3.3	6	1	1.0	2	8	0.8
21	4	3	1.0	6	6	4.0	5	2	1.1		10	0.8
22	3	4	1.1	4	8	4.1	4	3	1.1	6	6	0.8
23	9		1.1	2	10	4.2	3	4	1.1	4	8	0.8
24	1	6	0.9		12	4.3	2	5	1.1	2	10	0.8
25	7	2	1.3	6	8	4.9	1	6	1.1		12	0.8
26	6	3	1.2	18		0.3		7	1.2	6	8	0.8
27	5	4	1.3	16	2	0.3	10		1.8	4	10	0.8
28	11		1.0	14	4	0.4	9	1	1.8	2	12	0.8
29	10	1	1.1	12	6	0.6	8	2	1.8		14	0.8
30	9	2	1.2	10	8	0.7	7	3	1.8	6	10	0.8
31	8	3	1.3		16	0.2	6	4	1.8	4	12	0.8
32	7	4	1.4	6	12	0.8	5	5	1.8	2	14	0.8
33	13		1.2	4	14	0.9	4	6	1.8		16	0.8
34	12	1	1.2	2	16	1.1	3	7	1.9	6	12	0.8
35	11	2	1.3		18	1.1	2	8	1.9	4	14	0.8
36	10	3	1.4	6	14	1.8	1	9	1.9	2	16	0.8
37	9	4	1.5	4	16	1.9	7	5	0.3		18	0.9
38	15		1.3	2	18	2.0	6	6	0.3	6	14	0.8
39	14	1	1.3		20	2.1	5	7	0.4	4	16	0.8
40	13	2	1.4	6	16	2.8	4	8	0.4	2	18	0.8
41	12	3	1.6	4	18	2.8	3	9	0.4		20	0.9
42	4	11	1.7	2	20	2.9	2	10	0.4	6	16	0.8
43	5	10	1.8		22	3.1	1	11	0.4	4	18	0.9
44	9	6	1.9	6	18	3.7		12	0.4	2	20	0.9
45	8	7	1.9	4	20	3.8	3	10	2.7		22	0.9
46	7	8	2.1	2	22	3.9	2	11	2.7	6	18	0.9
47	13	4	1.8		24	4.0	1	12	2.7	4	20	0.9
48	19		1.5	6	20	4.6	7	8	1.1	2	22	0.9