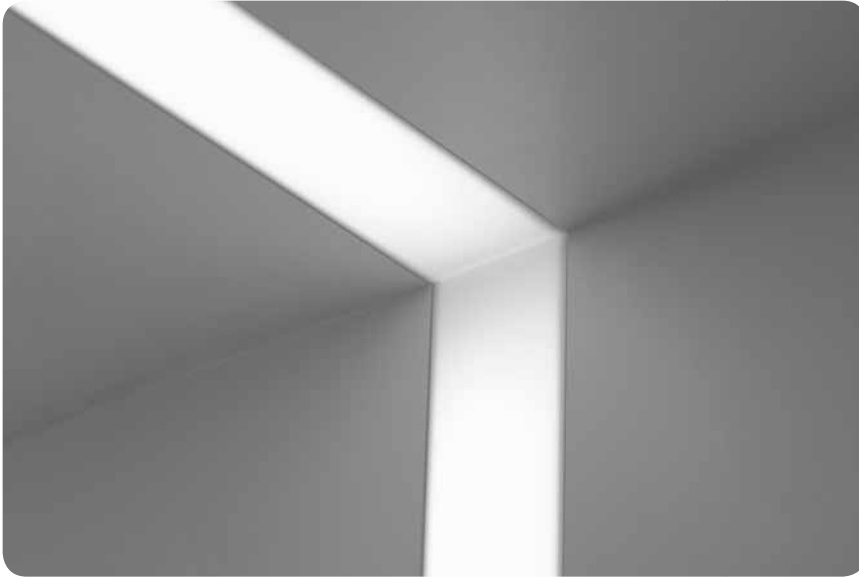


wall to ceiling corner
seem® 4



features

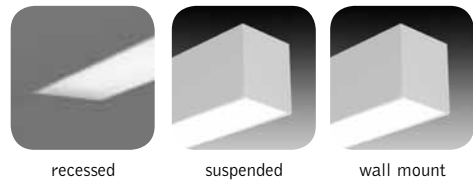
Narrow 4" aperture slot fluorescent luminaire that transitions from wall to ceiling for a unique aesthetic.

Frosted acrylic flush lens provides even illumination.

Allows for individual and continuous row mount up the wall and across the ceiling in trimless drywall applications.

Available in 1 lamp T5 or T8 configurations, Seem 4 provides continuous illumination by combining 3' and 4' staggered lamps.

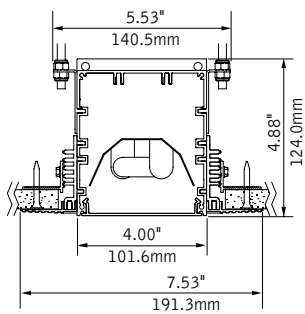
companion luminaires



dimensional data

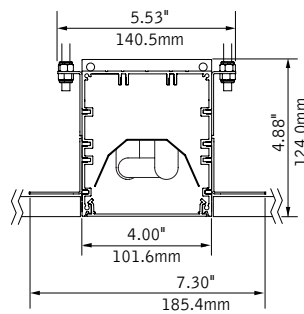
trimless mud-in

ceiling

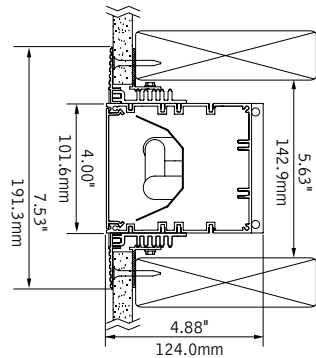


non-drywall hard surface

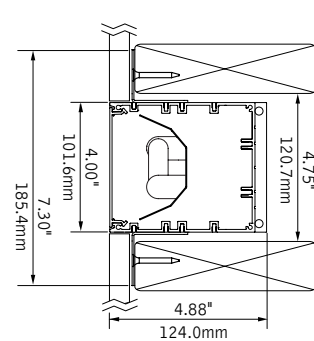
ceiling



wall mount



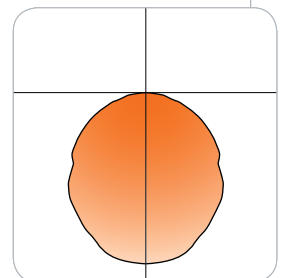
wall mount



notes: designed for 2"x6" construction
 0.375"min - 2.125"max material thickness

performance

1-Lamp T5
 56% Efficiency
 595 cd @ 0°

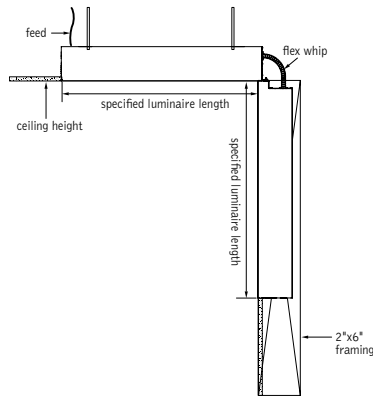


Visit focalpointlights.com for complete photometric data.

fixture:

project:

mounting information



Note: Refer to instruction sheet IS0298 for installation details.

specifications

construction

One piece, .07" thick housing of 6063-T5 extruded aluminum.
 20 Ga. steel end caps.
 Luminaires include trimless aluminum flange.
 Lengths 6' and longer configured with staggered lamps:

- 1-lamp T8: 4.47" overlap
- 1-lamp T5/T5HO: 4.35" overlap

- 2' unit weight: 18 lbs.
- 3' unit weight: 24 lbs.
- 4' unit weight: 30 lbs.
- 5' unit weight: 36 lbs.

optic

Reflectors fabricated of 22 Ga. steel finished in High Reflectance White powder coat.
 Flush satin lens: extruded acrylic lens .07" thick with opal satin finish.

electrical

Luminaires are pre-wired with factory installed branch circuit wiring and over-molded quick connects.
 Electronic fluorescent ballasts are thermally protected and have a Class "P" rating.
 Optional dimming ballasts available.
 UL and cUL listed.

finish

Polyester powder coat applied over a 5-stage pre-treatment.

ordering

luminaire series FSM4

Seem 4 FSM4

shielding FL

Flush Satin Lens FL

lamping

One Lamp T8 1T8

One Lamp T5 1T5

circuits

Single Circuit 1C

voltage

120 Volt 120

277 Volt 277

347 Volt 347

ballast

Electronic Instant Start <20% THD (T8 only) E

Electronic Program Start <10% THD S

Electronic Dimming Ballast* (not available with 5' lamps) D

mounting

Wall to Ceiling Corner, pre-set for 1/2" Drywall CXF1

Wall to Ceiling Corner, pre-set for 5/8" Drywall CXF2

Wall to Ceiling Corner, set drywall thickness in field (mounting equipment assembled in field) CXFF

Wall to Ceiling Corner, non-drywall hard surface (not intended for combustible materials) CXFN

factory options

Chicago Plenum CP

Emergency Circuit* EC

Emergency Battery Pack* EM

Flex Whip* FW

HLR/GLR Fuse FU

Include 3000K lamp L830

Include 3500K lamp L835

Include 4100K lamp L841

finish

Matte White WH

luminaire length**

(lengths are nominal)

Specify luminaire/row length X'CX'W

in 1' increments

(lengths 6' and longer configured with staggered lamps.)

(Consult factory for 5' dimming)

example: 12C6W= 12' in ceiling, 6' in wall

**supplied as pattern, corner transition parts included.

Focal Point LLC | 4141 S. Pulaski Rd, Chicago, IL 60632 | T: 773.247.9494 | F: 773.247.8484 | info@focalpointlights.com | www.focalpointlights.com. Focal Point LLC reserves the right to change specifications for product improvement without notification.

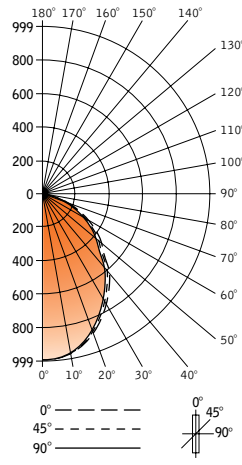
* for more information see Reference section.

seem™ 4



Filename: FSM4FLXP1T5.IES
 Catalog #: FSM4-FLXP-1T5-1C-120-S-G1-WH-4'
 Efficiency: 77%
 Test #: 15712.0

CANDLEPOWER DISTRIBUTION



Vertical Angle	0°	22.5°	45°	67.5°	90°	Zonal Lumens
0°	999	999	999	999	999	
5°	997	996	994	994	994	95
15°	942	941	937	93	931	266
25°	831	827	817	806	802	378
35°	692	685	670	654	648	421
45°	510	503	484	466	458	375
55°	378	373	355	338	333	319
65°	236	23	219	210	205	219
75°	118	116	111	105	103	117
85°	31	29	28	28	28	31
90°	0	0	0	0	0	0
95°	0	0	0	0	0	0
105°	0	0	0	0	0	0
115°	0	0	0	0	0	0
125°	0	0	0	0	0	0
135°	0	0	0	0	0	0
145°	0	0	0	0	0	0
155°	0	0	0	0	0	0
165°	0	0	0	0	0	0
175°	0	0	0	0	0	0
180°	0	0	0	0	0	0

Spacing 1.1
 Criterion: 1.1

LUMEN SUMMARY

Zone	Lumens	% Lamp	% Fixt
0°-30°	738	25.5	33.3
0°-40°	1159	40.0	52.2
0°-60°	1853	63.9	83.5
0°-90°	2220	76.6	100
Total Luminaire	2220	76.6	100

LUMINANCE DATA (CD/M²)

Vertical Angle	0°	45°	90°
45°	6091	5781	5470
55°	5566	5227	4903
65°	4716	7376	4097
75°	3850	3622	3361
85°	3004	2713	2713

CO-EFFICIENTS OF UTILIZATION

Floor	80	70	20	30	10	00
Ceiling	80	70	50	50	10	00
Wall	70 50 30 10	70 50 10	50 10	50 10	50 10	00
RCR 0	91 91 91 91	89 89 89	85 85	81 81	78 78	77
1	85 81 78 76	82 80 75	76 72	73 70	71 68	67
2	78 72 68 64	76 71 63	68 62	66 60	64 59	58
3	72 65 59 55	70 64 54	61 53	59 53	58 52	50
4	66 58 52 47	65 57 47	55 46	54 46	52 45	44
5	61 52 46 41	59 51 41	49 40	48 40	47 39	38
6	56 47 40 36	55 46 36	45 35	44 35	42 35	33
7	52 42 35 32	51 42 32	41 31	40 31	39 31	29
8	48 38 32 8	47 38 28	37 27	36 27	35 27	26
9	45 35 28 24	43 34 24	33 24	32 24	32 24	22
10	41 31 26 22	40 31 22	30 21	30 21	29 21	20

Numbers indicate percentage values of reflectivity.

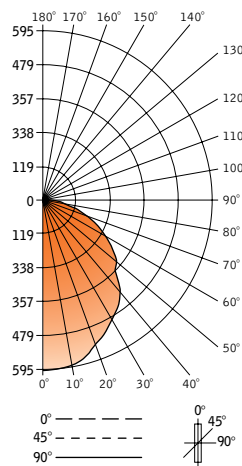
Go to www.focalpointlights.com for additional photometric data.

seem™ 4



Filename: FSM4FL1T5.IES
 Catalog #: FSM4-FL-1T5-1C-120-S-G1-WH-4'
 Efficiency: 56%
 Test #: 15711.0

CANDLEPOWER DISTRIBUTION



Vertical Angle	0°	22.5°	45°	67.5°	90°	Zonal Lumens
0°	595	595	595	595	595	
5°	591	591	591	591	591	56
15°	568	568	568	568	568	161
25°	515	515	515	515	515	238
35°	455	455	455	455	455	286
45°	353	355	355	355	355	275
55°	288	288	288	290	290	259
65°	198	196	198	198	199	196
75°	108	109	109	109	109	115
85°	28	28	28	28	29	31
90°	0	0	0	0	0	0
95°	0	0	0	0	0	0
105°	0	0	0	0	0	0
115°	0	0	0	0	0	0
125°	0	0	0	0	0	0
135°	0	0	0	0	0	0
145°	0	0	0	0	0	0
155°	0	0	0	0	0	0
165°	0	0	0	0	0	0
175°	0	0	0	0	0	0
180°	0	0	0	0	0	0

Spacing 1.2
 Criterion: 1.2

LUMEN SUMMARY

Zone	Lumens	% Lamp	% Fixt
0°-30°	456	15.7	28.2
0°-40°	742	25.6	45.9
0°-60°	1275	44.0	78.9
0°-90°	1617	55.8	100
Total Luminaire	1617	55.8	100

LUMINANCE DATA (CD/M²)

Vertical Angle	0°	45°	90°
45°	4216	4240	4240
55°	4241	4241	4270
65°	3957	3957	3977
75°	3524	3557	3557
85°	2713	2713	2810

CO-EFFICIENTS OF UTILIZATION

Floor	80	70	20	30	10	00
Ceiling	80	70	50	50	10	00
Wall	70 50 30 10	70 50 10	50 10	50 10	50 10	00
RCR 0	66 66 66 66	65 65 65	62 62	59 59	57 57	56
1	61 59 56 54	60 57 53	55 52	53 50	51 49	48
2	56 52 48 45	54 51 44	49 43	47 42	45 41	40
3	51 46 41 38	50 45 38	43 37	42 36	40 36	35
4	47 41 36 32	46 40 32	39 32	37 31	36 31	30
5	43 36 31 27	42 35 27	34 27	33 27	32 26	25
6	40 32 27 24	39 32 24	31 23	30 23	29 23	22
7	36 29 24 21	36 29 21	28 21	27 20	26 20	19
8	34 26 21 18	33 26 18	25 18	24 18	24 18	17
9	31 23 19 16	30 23 16	22 15	22 15	21 15	14
10	29 21 17 14	28 21 14	20 14	20 14	19 14	13

Numbers indicate percentage values of reflectivity.

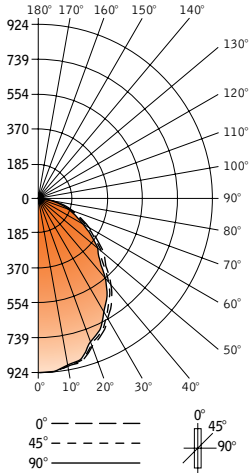
Go to www.focalpointlights.com for additional photometric data.

seem™ 4



Filename: FSM4FLXP1T8.IES
 Catalog #: FSM4-FLXP-1T8-1C-120-S-TF-WH-4'
 Efficiency: 72%
 Test #: 15815.0

CANDLEPOWER DISTRIBUTION



Spacing 1.1
 Criterion: 1.1

Vertical Angle	Horizontal Angle				Zonal Lumens
	0°	22.5°	45°	67.5°	
0°	924	924	924	924	924
5°	922	920	920	920	88
15°	890	886	883	881	250
25°	791	787	778	767	360
35°	667	659	645	630	405
45°	490	481	464	448	360
55°	360	355	342	328	306
65°	222	218	207	200	207
75°	113	109	103	100	111
85°	29	27	25	23	28
90°	0	0	0	0	0
95°	0	0	0	0	0
105°	0	0	0	0	0
115°	0	0	0	0	0
125°	0	0	0	0	0
135°	0	0	0	0	0
145°	0	0	0	0	0
155°	0	0	0	0	0
165°	0	0	0	0	0
175°	0	0	0	0	0
180°	0	0	0	0	0

LUMEN SUMMARY

Zone	Lumens	% Lamp	% Fixt
0°-30°	698	23.7	33.0
0°-40°	1103	37.4	52.2
0°-60°	1769	60.0	83.7
0°-90°	2114	71.7	100
Total Luminaire	2114	71.7	100

LUMINANCE DATA (CD/M²)

Vertical Angle	0°	45°	90°
45°	5921	5607	5341
55°	5363	5095	4767
65°	4489	4185	3943
75°	3731	3401	3302
85°	2843	2451	2255

CO-EFFICIENTS OF UTILIZATION

Floor	80			70			20					
Ceiling	80	30	10	70	50	10	50	10	30	10	00	
RCR 0	85	85	85	85	83	83	83	80	80	76	76	72
1	79	76	74	71	77	75	70	72	68	69	66	62
2	73	68	64	60	71	66	59	64	58	62	57	54
3	67	61	56	51	66	60	51	58	50	56	49	47
4	62	54	49	44	61	53	44	52	44	50	43	41
5	57	49	43	38	56	48	38	46	38	45	37	35
6	53	44	38	34	51	43	33	42	33	41	33	31
7	49	40	34	30	48	39	29	38	29	37	29	27
8	45	36	30	26	44	35	26	34	26	33	26	24
9	42	32	27	23	41	32	23	31	22	30	22	21
10	39	29	24	20	38	29	20	28	20	28	20	19

Numbers indicate percentage values of reflectivity.

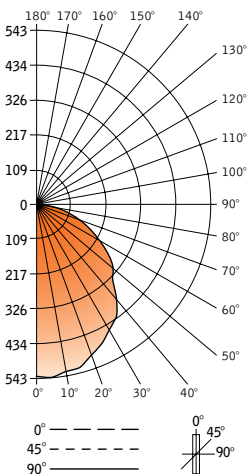
Go to www.focalpointlights.com for additional photometric data.

seem™ 4



Filename: FSM4FL1T8.IES
 Catalog #: FSM4-FL-1T8-1C-120-S-TF-WH-4'
 Efficiency: 52%
 Test #: 15814.0

CANDLEPOWER DISTRIBUTION



Spacing 1.3
 Criterion: 1.3

Vertical Angle	Horizontal Angle				Zonal Lumens
	0°	22.5°	45°	67.5°	
0°	539	539	539	539	539
5°	543	543	543	543	52
15°	528	528	528	528	150
25°	484	484	484	484	224
35°	433	433	433	433	272
45°	333	333	333	333	258
55°	271	271	271	271	243
65°	182	184	184	184	183
75°	102	100	102	102	107
85°	29	29	29	29	32
90°	0	0	0	0	0
95°	0	0	0	0	0
105°	0	0	0	0	0
115°	0	0	0	0	0
125°	0	0	0	0	0
135°	0	0	0	0	0
145°	0	0	0	0	0
155°	0	0	0	0	0
165°	0	0	0	0	0
175°	0	0	0	0	0
180°	0	0	0	0	0

LUMEN SUMMARY

Zone	Lumens	% Lamp	% Fixt
0°-30°	426	14.4	28.0
0°-40°	698	23.6	45.9
0°-60°	1199	40.6	78.9
0°-90°	1520	51.5	100
Total Luminaire	1520	51.5	100

LUMINANCE DATA (CD/M²)

Vertical Angle	0°	45°	90°
45°	4024	4024	4073
55°	4037	4037	4037
65°	3680	3720	3741
75°	3368	3368	3368
85°	2843	2843	2843

CO-EFFICIENTS OF UTILIZATION

Floor	80			70			20					
Ceiling	80	30	10	70	50	10	50	10	30	10	00	
RCR 0	61	61	61	61	60	60	60	57	57	55	55	52
1	56	54	52	50	55	53	49	51	48	49	46	44
2	52	48	44	41	50	47	41	45	40	43	39	37
3	47	42	38	35	46	41	35	40	37	39	34	32
4	43	38	33	30	42	37	30	36	29	34	29	27
5	40	33	29	25	39	33	25	32	25	31	25	23
6	37	30	25	22	36	29	22	28	22	27	21	20
7	34	27	22	19	33	26	19	26	19	25	19	18
8	31	24	20	19	30	24	17	23	16	22	16	15
9	29	22	17	14	28	21	14	21	14	20	14	13
10	27	20	15	13	26	19	13	19	13	18	13	12

Numbers indicate percentage values of reflectivity.

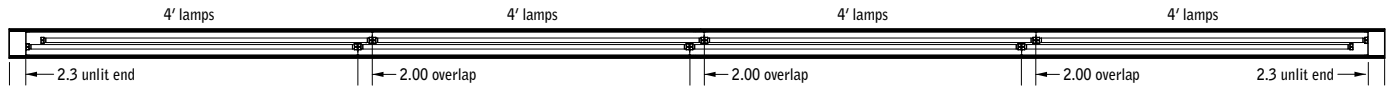
Go to www.focalpointlights.com for additional photometric data.

seem® 4 & 6 recessed run information

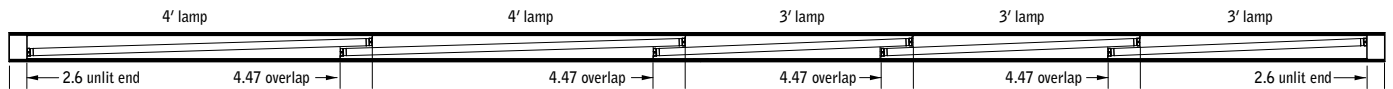
EXAMPLE 16' run



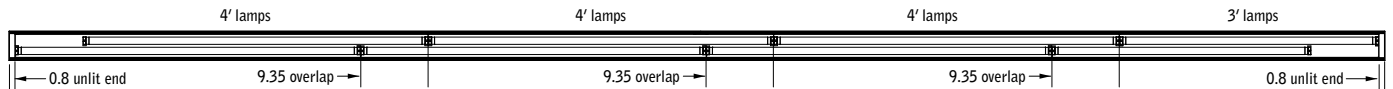
1-T5/T5H0



2-T5/T5H0 (may exhibit noticeable socket shadows)



1-T8



2-T8 (may exhibit noticeable socket shadows)

notes:

- lamp overlap is consistent throughout run.
- unlit ends vary to provide even light throughout run.
- standard configurations listed, consult factory for additional options.

seem® 4 & 6 recessed run information

nominal run length (ft)	1-T5/T5H0 (4.35" overlap)			2-T5/T5H0 (2.00" overlap)			1-T8 (4.47" overlap)			2-T8 (9.35" overlap)		
	lamp quantity		unlit ends (in)	lamp quantity		unlit ends (in)	lamp quantity		unlit ends (in)	lamp quantity		unlit ends (in)
	3'	4'		3'	4'		3'	4'		3'	4'	
6		2	0.3*	4		0.2	2		1.8	n/a	n/a	n/a
7	1	1	3.6	2	2	0.3	1	1	1.8	4		0.8
8	3		0.5		4	0.4		2	1.8	2	2	0.8
9	2	1	0.6	6		1.1	3		4.0		4	0.9
10	1	2	0.6	4	2	1.2	2	1	4.1	6		0.8
11		3	0.8	2	4	1.3	4		0.3	4	2	0.8
12	2	2	0.3*		6	1.3	3	1	0.3	2	4	0.8
13	5		0.7	6	2	2.1	2	2	0.3		6	0.8
14	4	1	0.8	4	4	2.2	1	3	0.3	6	2	0.8
15	3	2	0.8	2	6	2.3		4	0.3	4	4	0.8
16	2	3	1.0		8	2.3	3	2	2.6	2	6	0.8
17	1	4	1.1	6	4	3.0	2	3	2.6		8	0.8
18		5	1.1	4	6	3.1	1	4	2.6	6	4	0.8
19	6	1	0.8	2	8	3.2	7		1.0	4	6	0.8
20	5	2	0.8		10	3.3	6	1	1.0	2	8	0.8
21	4	3	1.0	6	6	4.0	5	2	1.1		10	0.8
22	3	4	1.1	4	8	4.1	4	3	1.1	6	6	0.8
23	9		1.1	2	10	4.2	3	4	1.1	4	8	0.8
24	1	6	0.9		12	4.3	2	5	1.1	2	10	0.8
25	7	2	1.3	6	8	4.9	1	6	1.1		12	0.8
26	6	3	1.2	18		0.3		7	1.2	6	8	0.8
27	5	4	1.3	16	2	0.3	10		1.8	4	10	0.8
28	11		1.0	14	4	0.4	9	1	1.8	2	12	0.8
29	10	1	1.1	12	6	0.6	8	2	1.8		14	0.8
30	9	2	1.2	10	8	0.7	7	3	1.8	6	10	0.8
31	8	3	1.3		16	0.2	6	4	1.8	4	12	0.8
32	7	4	1.4	6	12	0.8	5	5	1.8	2	14	0.8
33	13		1.2	4	14	0.9	4	6	1.8		16	0.8
34	12	1	1.2	2	16	1.1	3	7	1.9	6	12	0.8
35	11	2	1.3		18	1.1	2	8	1.9	4	14	0.8
36	10	3	1.4	6	14	1.8	1	9	1.9	2	16	0.8
37	9	4	1.5	4	16	1.9	7	5	0.3		18	0.9
38	15		1.3	2	18	2.0	6	6	0.3	6	14	0.8
39	14	1	1.3		20	2.1	5	7	0.4	4	16	0.8
40	13	2	1.4	6	16	2.8	4	8	0.4	2	18	0.8
41	12	3	1.6	4	18	2.8	3	9	0.4		20	0.9
42	4	11	1.7	2	20	2.9	2	10	0.4	6	16	0.8
43	5	10	1.8		22	3.1	1	11	0.4	4	18	0.9
44	9	6	1.9	6	18	3.7		12	0.4	2	20	0.9
45	8	7	1.9	4	20	3.8	3	10	2.7		22	0.9
46	7	8	2.1	2	22	3.9	2	11	2.7	6	18	0.9
47	13	4	1.8		24	4.0	1	12	2.7	4	20	0.9
48	19		1.5	6	20	4.6	7	8	1.1	2	22	0.9

* special lamp stagger to decrease end darkness.