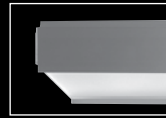
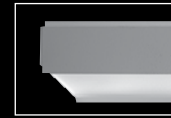


Equation™ 1x1

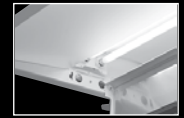
LED



natural anodized side rails

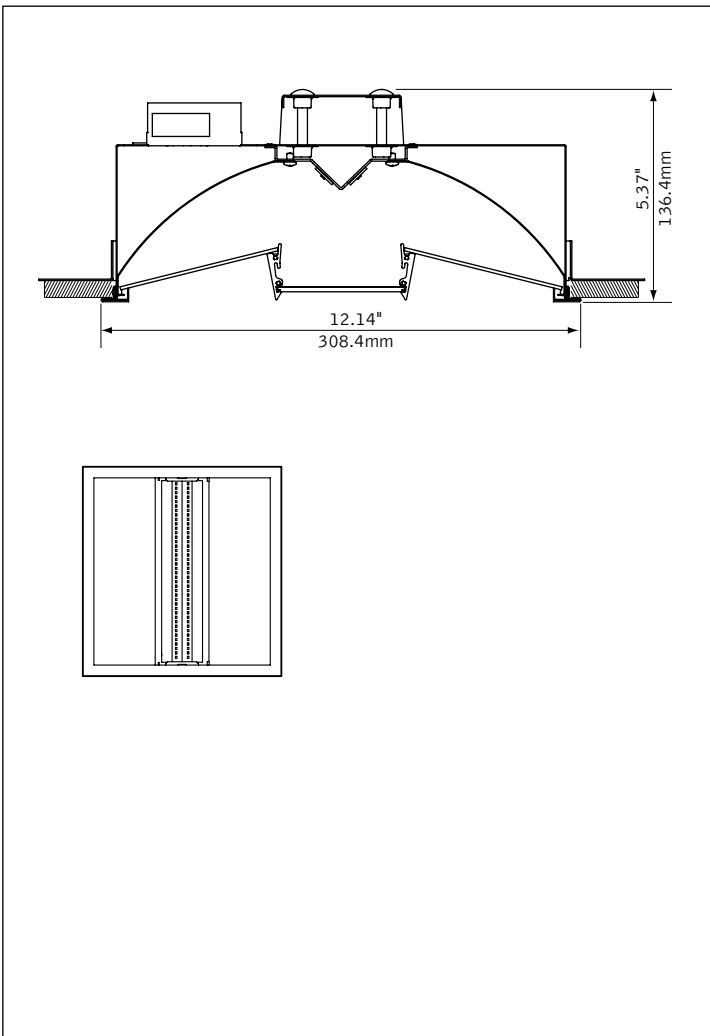


white painted side rails



QuickLatch™

DIMENSIONAL DATA



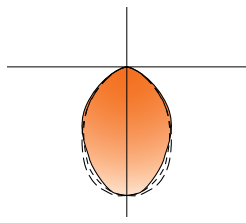
FEATURES

Equation LED blends sleek aesthetics with uniform diffuse illumination.

Best in class brightness control and visual comfort enabled by a layered diffuser system designed specifically for Equation LED. Featuring MicroGlow™ lens technology, precision molded conical prisms and a smoothing filter diffuse pixels and enhance LED performance.

QuickLatch™ hinged diffuser system provides easy access to replaceable LED modules.

PERFORMANCE



PRODUCT OVERVIEW

Lumen Output: 1000-1500lm

Wattage: 14-21W

LPW: 71

SDCM: 3

Lumen Maintenance: L90 @ 91,000hrs

High Performance White Side Rails

Delivered Lumens: 1000lm

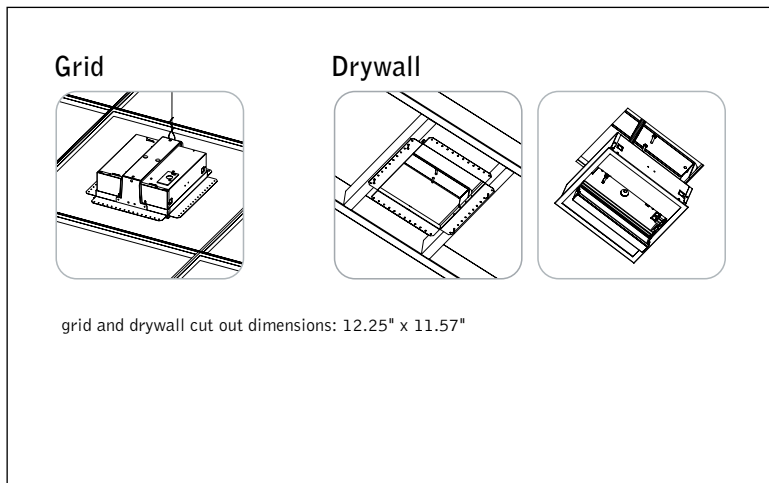
Total System Watts: 14W

Photometric performance is measured in accordance with IESNA LM-79. Visit focalpointlights.com for complete photometric data.

fixture:

project:

DETAILS



SPECIFICATIONS

LED System

Proprietary linear LED module incorporates premium LEDs on a robust platform to achieve excellent thermal management. LEDs are placed to promote a uniform appearance. Available in 3000K, 3500K or 4000K with CRI>80, 3 SDCM. LED modules and drivers are replaceable from below.

Construction

One piece 20 Ga. steel housing. Two piece 20 Ga. steel reflectors. Extruded aluminum heat sink. 20 Ga. Steel ends form finishing housing. Housing ships with universal 20 Ga. galvanized steel mounting yoke for grid or drywall ceiling. Weight: 12 lbs

Optic

20 Ga. Steel reflectors finished in matte satin white powder coat. 0.080" thick frosted white acrylic side diffusers. Layered diffuser system includes .125" thick MicroGlow™ miniature prism acrylic lens and .005" thick smoothing filter retained with side rails available in natural anodized aluminum or Matte Satin White.

Electrical

Standard 120-277V driver includes 0-10V analog dimming. Power factor > .9.

Labels

UL and cUL listed. Suitable for Dry or Damp Locations, indoor use only.

Finish

Polyester powder coat applied over a 5-stage pre-treatment.

Lumen Maintenance

Calculated: L90 at 91,000 hours Reported: L90 at >61,000 hours
 Derived from EPA TM-21 calculator

Warranty

LED System rated for operation in ambient environments up to 25°C. 5 year limited warranty.

PERFORMANCE CHART

Delivered Lumens	Tested System Watts	LPW
1000 Lumens	14	71
1500 Lumens	21	71

*Lumen output may vary +/- 5%. Actual wattage may vary +/- 5%

ORDERING

Luminaire Series		FEQL
Equation LED	FEQL	
Nominal Size		11
1' x 1'	11	
Shielding		
Natural Anodized Side Rails	AL	
High Performance White Side Rails	WP	
Lumen Output		
1000 Lumens	1000L	
1500 Lumens	1500L	
Color Temperature		
3000K	30K	
3500K	35K	
4000K	40K	
Circuits		1C
Single Circuit	1C	
Voltage		
120 Volt	120	
277 Volt	277	
UNV Volt	UNV	
Driver		
0-10V - 10% Dimming	LD1	
0-10V - 1% Dimming	L11	
DALI - 1% Dimming	D11	
Lutron A-Series	L3D	
1 % EcoSystem Digital		
<small>(Consult factory for 3-wire control)</small>		
Mounting		U
Universal	U	
Factory Options		
Chicago Plenum	CP	
6' New York City Flex Whip	FNY	
6' Flex Whip	FW	
<small>(Sensor options available—consult factory)</small>		
Finish		WH
Matte White Housing	WH	

Equation™ 1x1

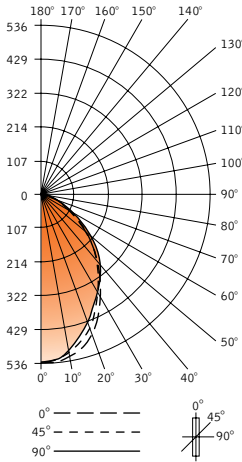
FLUORESCENT NATURAL ANODIZED SIDE RAILS

CATALOG LOGIG

Filename: FEQL11AL1000L35K.IES
 Test #: 18674.0

Lumens: 996lm
 System Watts: 14W
 LPW: 71

CANDELPWER DISTRIBUTION



Vertical Angle	Horizontal Angle				Zonal Lumens
	0°	22.5°	45°	67.5°	
0°	536	536	536	536	536
5°	536	532	529	527	51
15°	504	495	483	472	137
25°	425	419	405	393	188
35°	324	319	308	313	198
45°	223	218	230	232	177
55°	136	132	141	146	126
65°	84	79	78	77	78
75°	41	38	30	29	35
85°	10	5	5	5	7
90°	0	0	0	0	0
95°	0	0	0	0	0
105°	0	0	0	0	0
115°	0	0	0	0	0
125°	0	0	0	0	0
135°	0	0	0	0	0
145°	0	0	0	0	0
155°	0	0	0	0	0
165°	0	0	0	0	0
175°	0	0	0	0	0
180°	0	0	0	0	0

LUMEN SUMMARY

Zone	Lumens	% Fixture
0-30°	376	37.7
0-40°	574	57.6
0-60°	876	88.0
0-90°	996	100.0
Total Luminaire 0-180°	996	100.0

LUMINANCE DATA (CD/M²)

Vertical Angle	0°	45°	90°
45°	3944	4073	4295
55°	2977	3068	304
65°	2498	2313	3204
75°	1964	1460	1410
85°	1495	748	897

Go to www.focalpointlights.com for additional photometric data.

Equation™ 1x1

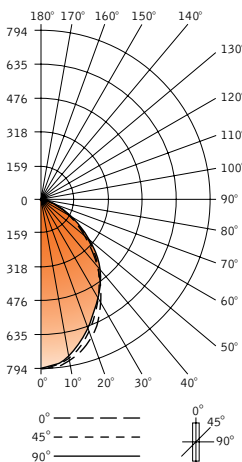
FLUORESCENT NATURAL ANODIZED SIDE RAILS

CATALOG LOGIG

Filename: FEQL11AL1500L35K.IES
 Test #: 18675.0

Lumens: 1498lm
 System Watts: 21W
 LPW: 71

CANDELPWER DISTRIBUTION



Vertical Angle	Horizontal Angle				Zonal Lumens
	0°	22.5°	45°	67.5°	
0°	794	794	794	794	794
5°	792	790	784	779	75
15°	737	731	713	698	203
25°	628	615	596	581	277
35°	482	474	471	476	299
45°	333	338	349	359	270
55°	206	208	214	222	192
65°	128	122	119	113	118
75°	63	54	48	43	52
85°	14	12	12	10	13
90°	0	0	0	0	0
95°	0	0	0	0	0
105°	0	0	0	0	0
115°	0	0	0	0	0
125°	0	0	0	0	0
135°	0	0	0	0	0
145°	0	0	0	0	0
155°	0	0	0	0	0
165°	0	0	0	0	0
175°	0	0	0	0	0
180°	0	0	0	0	0

LUMEN SUMMARY

Zone	Lumens	% Fixture
0-30°	555	37.0
0-40°	853	57.0
0-60°	1316	87.8
0-90°	1498	100.0
Total Luminaire 0-180°	1498	100.0

LUMINANCE DATA (CD/M²)

Vertical Angle	0°	45°	90°
45°	5895	6182	6469
55°	4484	4661	4838
65°	3778	3508	3358
75°	3035	2301	2105
85°	2035	1745	1454

Go to www.focalpointlights.com for additional photometric data.