

# VELATO

## RECESSED SLOT ADJUSTABLE MULTIPLE 2 LIGHT LED

VEL-HHP-2-SA  
2LT LED

### APPLICATION:

Accent and display lighting for retail, commercial and hospitality environments

### CONSTRUCTION:

Stamped steel mounting frame with integral mounting bars  
Thermally protected  
Steel driver housing  
Extruded aluminum upper housing  
Complete die-cast optical head construction  
No exposed wiring  
Powder coat paint

### OPTICS:

30° tilt, 360° rotation  
Available in a variety of beam spreads  
LED:  
Color Temp Options: 2200K, 2700K, 3000K, 3500K, 4000K  
CRI: 83 typ. (2700K, 3000K, 3500K, 4000K)  
97 typ. (2200K, 2700K, 3000K)  
Crisp White LED available  
R9 Values: 11 (83CRI), 92 (97CRI)  
Life: 50,000 hrs  
Binning: 3 MacAdam  
Lumen Maintenance: >70% of initial lumens @ 50,000 hrs

### MOUNTING:

For use in grid or sheet rock ceilings, max thickness 1"

### LABELING:



For indoor use only

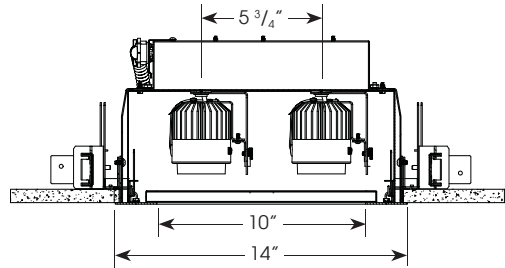
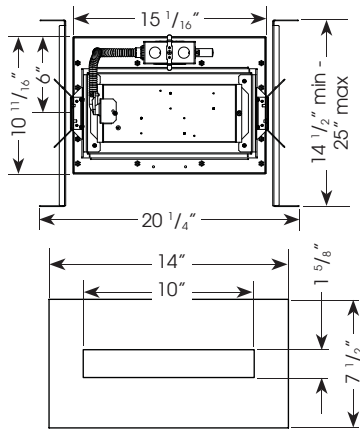
### ELECTRICAL:

Electronic constant current LED driver, 120v or 277v input  
ELV and Triac dimming standard, 120v or 277v.  
See following pages for more information.  
**This product complies with IEEE C62.41 for surge endurance up to 2.5KV. Amerlux recommends using additional surge protection with this unit (supplied by others), surge damage is not covered by warranty.**

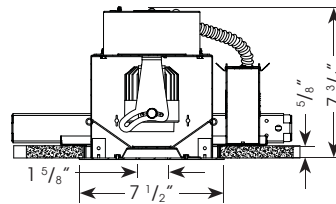


PROJECT:

TYPE:



Ceiling Cut Out Dimension: 7 1/8" x 13 5/8"



### ELECTRICAL

Electronic driver

	2x16w		2x18w	
	System Watts	Amps	System Watts	Amps
120v	32	0.27	36	0.30
277v	32	0.12	36	0.13

5 year limited warranty  
AMERLUX LED

(see website for details)

### ORDERING INFORMATION:

FRAME Model	# Heads	Lamp Type	Voltage	Options/Accessories
VEL-FRAME	2	LED	120 277	0-10V - 0-10v dimming HILUME-DH - (see description below) HILUME-ECO - (see description below) DALI - DALI driver

Complete Unit Specification:

VEL-FRAME-2-LED-120/VEL-HHP-TRIM-2-SA-18-LED-120-277-SP-SP-MW-3000

Frame Only: VEL-FRAME-2-LED-120

Trim Only: VEL-HHP-TRIM-2-SA-18-LED-120-277-SP-SP-MW-3000

TRIM Model	# Heads	Concealed Type	Wattage	Lamp Type	Voltage	Beam Spreads Hd 1 Hd 2	Faceplate Finish	Color Temp	Options/Accessories
VEL-HHP-TRIM	2	SA - slot adjustable	16 18	LED	120-277	SP SP NF NF MFL MFL FL FL WF WF VWF VWF LS LS	MW - matte white	83 CRI 2700 3000 3500 4000  97 CRI 2200-97 2700-97 3000-97  CRISP - crisp white	AH - accessory holder, specify finish (WT, BT, ST), accepts 2 forms of media HEX - hexcell louver (1/8" x 1/8"), requires AH 0-10V - 0-10v dimming HILUME-DH - Lutron HI-lume®3 wire, 1% dim HILUME-ECO - Lutron HI-lume® EcoSystem, 1% dim DALI - DALI driver

\*SP - spot 15°, NF - narrow flood 22°, MFL - medium flood 25°, FL - flood 28°, WF - wide flood 45°, VWF - very wide flood 60°, LS - linear spread 60°x10°

Cat #:

Amerlux reserves the right to change details that do not affect overall function and performance.



# VELATO

RECESSED SLOT ADJUSTABLE MULTIPLE 2 LIGHT LED

VEL-HHP-2-SA  
2LT LED



TYPE:



## DIMMING COMPATIBILITY:

Amerlux® fixtures are compatible with all major dimming protocols prevalent in the United States. Please see below for general compatibilities and wiring diagrams. Amerlux recommends testing your unique dimming configuration as the exact full configuration (Dimmer, Fixture Quantity, Voltage, etc) may affect dimming performance.

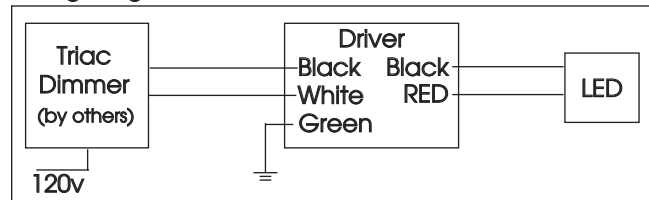
### TRIAC (Forward Phase) DIMMING (standard)

Utilizes "Standard" incandescent dimmers that are in wide use in installations across the US. Best for retrofit applications where Triac dimmers are installed.

#### Notes:

- 120v or 277v
- Dims down to less than 5% light output (most cases)
- Consult Dimming manufacturer for installation instructions - DO NOT SHARE NEUTRALS!
- Must meet dimmer Minimum Load Requirements per dimming manufacturer

#### Wiring Diagram



#### Compatible Dimmers

##### Wall Box (Incandescent Style, Wattage as required)

Lutron "Diva"	Lutron "Vareo"
Lutron "Nova-T"	Lutron "Skylark"
Lutron "Maestro"	

##### Central System

ETC "SR" Rack w/D20 Module	ETC "DRD" Rack w/D20 Module
Lutron "GP" Panel	Lutron Grafix Eye QS

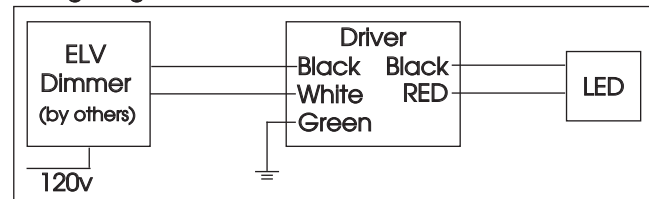
### ELV - Electronic Low Voltage (Reverse Phase) DIMMING (standard)

Utilizes specialized "ELV" dimmers. Best for New Construction applications

#### Notes:

- 120v or 277v
- Dims down to less than 5% light output (most cases)
- Consult Dimming manufacturer for installation instructions - DO NOT SHARE NEUTRALS!
- Must meet dimmer Minimum Load Requirements

#### Wiring Diagram



#### Compatible Dimmers

##### Wall Box (ELV Style)

Lutron "Diva"	Lutron "Vareo"
Lutron "Nova-T"	Lutron "Skylark"
Lutron "Maestro"	
Leviton "Surslide"	Leviton "Vizio"

##### Central System

ETC "SR" Rack w/ELV10 Module	ETC "DRD" Rack w/ELV10 Module
Lutron "GP" Panel with PHPM-PA Interface	Lutron Grafix Eye QS with PHPM-PA Interface

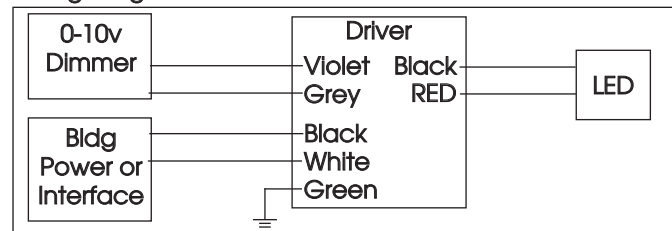
### 0-10V - DIMMING (-0-10V Option)

Integrates into a variety of building management and daylighting controls

#### Notes:

- 120v - 277v
- Dims down to less than 10% light output
- Requires interface to turn off power to driver
- Consult Dimming manufacturer for installation instructions - DO NOT SHARE NEUTRALS!

#### Wiring Diagram



#### Compatible Dimmers

##### Wall Box

Lutron "Diva" - DVTV with PP-120H Interface	Leviton Renoir II 0-10v
---	-------------------------

##### Central System

Lutron Grafix Eye with GRX-TVI Interface
--

# VELATO

RECESSED SLOT ADJUSTABLE MULTIPLE 2 LIGHT LED

VEL-HHP-2-SA  
2LT LED



TYPE:



## LUTRON HI-LUME / ECO-SYSTEM (-HILUME Option)

Integrates into a variety of building management and daylighting controls

### Notes:

- 120v or 277v
- Dims down to less than 5% light output
- May use 3-Wire or Ecosystem Control
- Consult Dimming manufacturer for installation instructions - DO NOT SHARE NEUTRALS!

### Compatible Dimmers

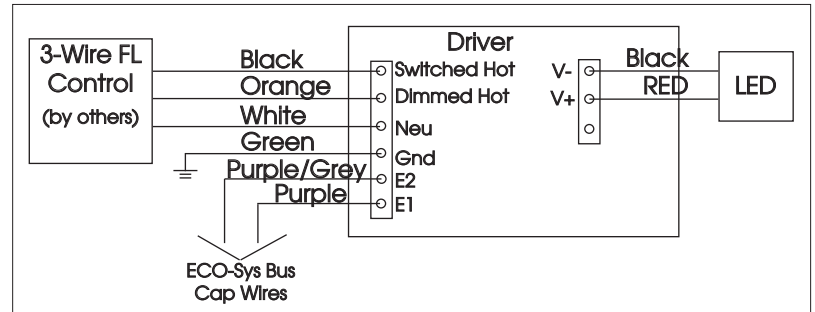
#### Wall Box (3-Wire Fluorescent)

DIVA  
Maestro  
Nova T  
Vareo

### Central System

Lutron ECO-System compatible controls  
ETC "SR" Rack w/D20F Module  
ETC "DRD" Rack w/D20F Module

### 3-Wire Wiring Diagram



### ECO System Digital Control Wiring

