

MURRO LED WALL WASH

HORIZONTAL TRACK WALL WASH LED

APPLICATION

Wall wash lighting for retail, commercial & hospitality environments

CONSTRUCTION:

Die-cast heatsink
Extruded driver enclosure
No exposed wiring
Powder coat paint

ELECTRICAL:

Electronic constant current LED driver, 120v input
ELV and Triac dimming standard, 120v
See following pages for more information.

This product complies with IEEE C62.41 for surge endurance up to 2.5KV. Amerlux® recommends using additional surge protection with this unit (supplied by others), surge damage is not covered by warranty.

OPTICS:

0-180° tilt, 180° rotation
Wall wash beam spread
LED:
Color Temp Options: 2700K, 3000K, 3500K, 4000K
CRI: 83 typ. (2700K, 3000K, 3500K, 4000K)
97 typ. (2700K, 3000K)
Crisp White LED available
R9 Values: 11 (83CRI), 92 (97CRI)
Binning: 3 MacAdam
Lumen Maintenance: >70% of initial lumens @ 50,000 hrs
Lumen Output: 19w 1888 lm, 98.3 lpw
31w 2860 lm, 91.1 lpw

MOUNTING:

Single circuit track
Note: Ceiling mount only

LABELING:

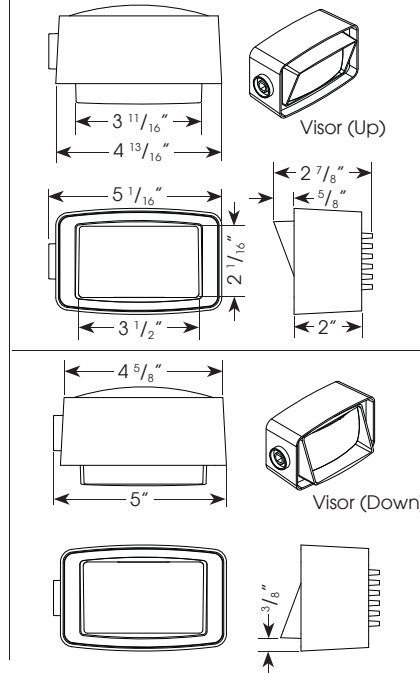
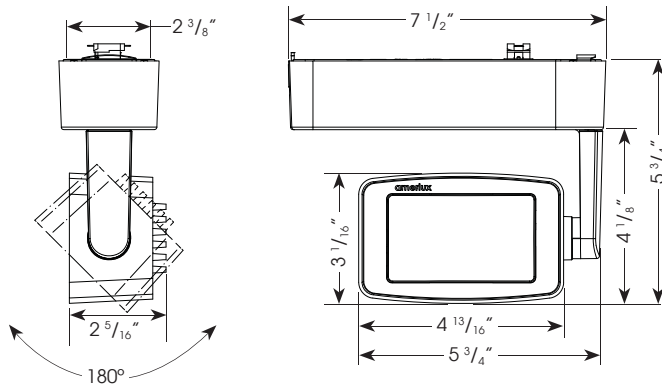


MURH
LED



PROJECT:

TYPE:



Electrostatic sensitive device,
observe precautions for
handling

ELECTRICAL

Electronic driver

	19w		31w	
	System Watts	Amps	System Watts	Amps
120v	19	0.16	31	0.26

ORDERING INFORMATION:

Model	Wattage	Lamp Type	Finish	Mounting	Voltage	Beam Spread	Color Temp	Options
MURH	19 31	LED	WT - white texture BT - black texture ST - silver texture - (other RAL)	TS1 - Global 1cir/H-Style, 120v TL1 - L-Style TJ1 - J-Style	120	WW - wall wash	83 CRI 2700 3000 3500 4000 97 CRI 2700-97 3000-97 CRISP - crisp white	VISU - visor up VISD - visor down

Example: MURH-31-LED-WT-TS1-120-WW-3000

Cat #:

Amerlux reserves the right to change details that do not affect overall function and performance.

MURRO LED WALL WASH

HORIZONTAL TRACK WALL WASH LED



MURH
LED



TYPE:

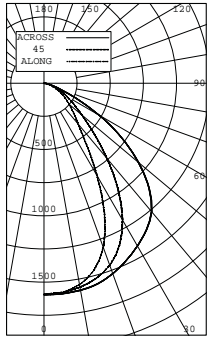


FIXTURE DATA: For 19w data, multiply by 0.61
 CCT Correction Factors: 2700-83 = 0.92; 3500-83 = 1.08; 4000-83 = 1.17
 2700-97 = 0.77; 3000-97 = 0.84; CRISP = 0.78

Complete photometric data (.ies format) available upon request.

MURRO LED WALL WASH 31W 3000K
 Source: 1 white LED array Lumens: 2860
 Track Mounting

LTL# 827309



ZONAL LUMEN SUMMARY

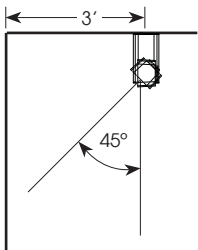
Zone	Lumens	%Fixt
0-30	1177	41.16
0-40	1780	62.24
0-60	2617	91.48
0-90	2860	100.0
40-90	1080	37.76
60-90	244	8.52
90-180	0	0.00
0-180	2860	100.00

Efficacy (lm/w = 91.1)

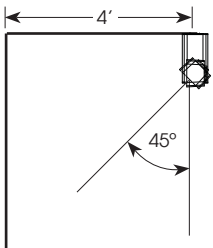
APPLICATION DATA:

Footcandles on Wall

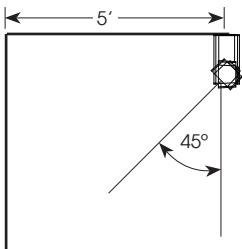
Footcandles are average and rounded off.
 Data for multiple units are based
 on a minimum of five units.



	6'							
0.5'	64	66	55	43	43	53	64	65
1.5'	115	119	94	75	74	91	115	116
2.5'	93	94	83	82	81	81	93	94
3.5'	64	64	60	56	55	60	64	64
4.5'	43	43	42	41	41	42	42	43
5.5'	31	31	31	30	30	30	30	30
6.5'	22	22	22	22	22	22	22	22
7.5'	17	17	17	17	17	16	16	16
8.5'	13	13	13	13	13	13	13	12



	8'									
0.5'	35	35	31	25	23	23	25	31	34	34
1.5'	63	63	55	43	37	37	43	55	63	63
2.5'	65	65	57	48	43	43	48	57	65	64
3.5'	51	51	48	43	40	40	43	48	51	51
4.5'	39	39	37	35	33	33	35	37	38	38
5.5'	29	29	28	27	27	27	27	28	29	29
6.5'	22	22	22	22	21	21	22	22	22	22
7.5'	18	18	17	17	17	17	17	17	17	17
8.5'	14	14	14	14	14	14	14	14	14	14



	8'									
0.5'	23	23	23	21	20	20	21	23	23	23
1.5'	40	40	38	34	32	32	34	38	40	40
2.5'	49	49	46	42	39	39	42	46	49	48
3.5'	44	44	43	40	38	38	40	43	44	44
4.5'	37	37	37	35	34	34	35	37	37	37
5.5'	30	30	30	30	29	29	30	30	30	30
6.5'	25	25	25	24	24	24	24	25	24	24
7.5'	20	20	20	20	20	20	20	20	20	20
8.5'	17	17	17	17	17	17	17	17	17	17

MURRO LED WALL WASH

HORIZONTAL TRACK WALL WASH LED



TYPE:

DIMMING COMPATIBILITY:

Amerlux® "Murro LED" track head is compatible with TRIAC and ELV dimming protocols prevalent in the United States. Please see below for general compatibilities and wiring diagrams. Amerlux recommends testing your unique dimming configuration as the exact full configuration (Dimmer, Fixture Quantity, Voltage, etc) may affect dimming performance.

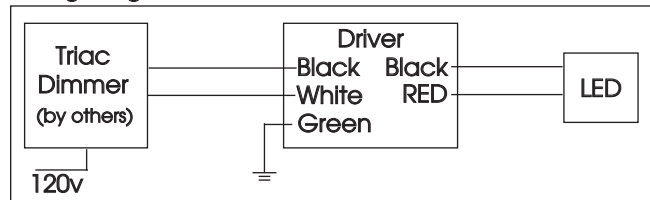
TRIAC (Forward Phase) DIMMING (standard)

Utilizes "Standard" incandescent dimmers that are in wide use in installations across the US. Best for retrofit applications where Triac dimmers are installed.

Notes:

- 120v only
- Dims down to less than 5% light output (most cases)
- Consult Dimming manufacturer for installation instructions - DO NOT SHARE NEUTRALS!
- Must meet dimmer Minimum Load Requirements per dimming manufacturer

Wiring Diagram



Compatible Dimmers

Wall Box (Incandescent Style, Wattage as required)

Lutron "Diva"	Lutron "Vareo"
Lutron "Nova-T"	Lutron "Skylark"
Lutron "Maestro"	

Central System

ETC "SR" Rack w/D20 Module	ETC "DRD" Rack w/D20 Module
Lutron "GP" Panel	Lutron Grafix Eye QS

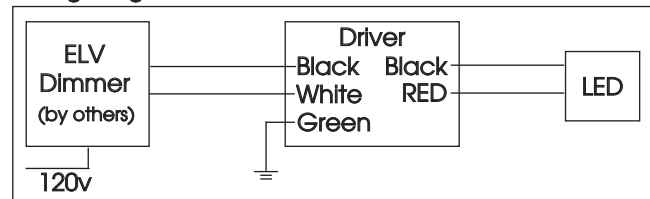
ELV - Electronic Low Voltage (Reverse Phase) DIMMING (standard)

Utilizes specialized "ELV" dimmers. Best for New Construction applications

Notes:

- 120v only
- Dims down to less than 5% light output (most cases)
- Consult Dimming manufacturer for installation instructions - DO NOT SHARE NEUTRALS!
- Must meet dimmer Minimum Load Requirements

Wiring Diagram



Compatible Dimmers

Wall Box (ELV Style)

Lutron "Diva"	Lutron "Vareo"
Lutron "Nova-T"	Lutron "Skylark"
Lutron "Maestro"	
Leviton "Surslide"	Leviton "Vizio"

Central System

ETC "SR" Rack w/ELV10 Module	ETC "DRD" Rack w/ELV10 Module
Lutron "GP" Panel with PHPM-PA Interface	Lutron Grafix Eye QS with PHPM-PA Interface