

# MURRO LED WALL WASH

## VERTICAL TRACK WALL WASH LED

### APPLICATION

Wall wash lighting for retail, commercial & hospitality environments

### CONSTRUCTION:

Die-cast heatsink  
Extruded driver enclosure  
No exposed wiring  
Powder coat paint

### ELECTRICAL:

Electronic constant current LED driver, 120v - 277v input  
ELV and Triac dimming standard, 120v or 277v.  
See following pages for more information.

**This product complies with IEEE C62.41 for surge endurance up to 2.5KV. Amerlux® recommends using additional surge protection with this unit (supplied by others), surge damage is not covered by warranty.**

### OPTICS:

0-180° tilt, 360° rotation  
Wall wash beam spread  
LED:

Color Temp Options: 2700K, 3000K, 3500K, 4000K  
CRI: 83 typ. (2700K, 3000K, 3500K, 4000K)  
97 typ. (2700K, 3000K)  
Crisp White LED available  
R9 Values: 11 (83CRI), 92 (97CRI)  
Binning: 3 MacAdam  
Lumen Maintenance: >70% of initial lumens @ 50,000 hrs  
Lumen Output: 19w 1888 lm, 98.3 lpw  
31w 2860 lm, 91.1 lpw

### MOUNTING:

Track, canopy, c-clamp and busway  
**Note: Ceiling mount only**

### LABELING:

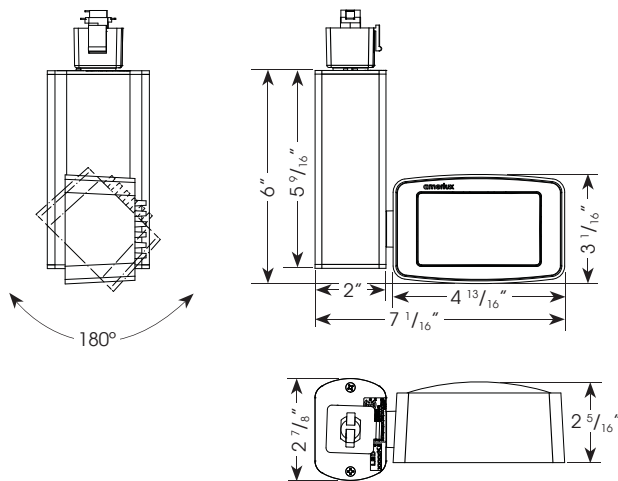


MURV  
LED



PROJECT:

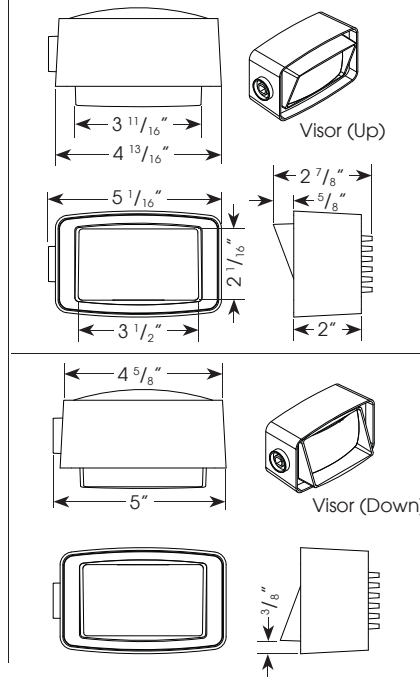
TYPE:



### ELECTRICAL

Electronic driver

	19w		31w	
	System Watts	Amps	System Watts	Amps
120v	19	0.16	31	0.26
277v	19	0.07	31	0.11



**5** year limited warranty  
AMERLUX LED  
(see website for details)

### ORDERING INFORMATION:

Model	Wattage	Lamp Type	Finish	Mounting	Voltage	Beam Spread	Color Temp	Options
MURV	19 31	LED	WT - white texture BT - black texture ST - silver texture - (other RAL)	TN1 - Global 1cir/H-Style, 120v TEK - Global 2cir/2neut, 120v TN3 - Global 3cir, 120v TN2 - Global 2cir/2neut, 277v CT - J-Style LOL - L-Style CPR - Capri adapter LLAB - Litelab Bus Run, 120v B - busway C - canopy CCL2 - C-clamp with SCP - straight cord, 6' CCP - coil cord, 5'	120 277	WW - wall wash	83 CRI 2700 3000 3500 4000  97 CRI 2700-97 3000-97  CRISP - crisp white	VISU - visor up VISD - visor down

Example: MURV-31-LED-WT-TN1-120-WW-3000

Cat #:

Amerlux reserves the right to change details that do not affect overall function and performance.



# MURRO LED WALL WASH

VERTICAL TRACK WALL WASH LED



TYPE:

**FIXTURE DATA:** For 19w data, multiply by 0.61

Complete photometric data (.ies format) available upon request.

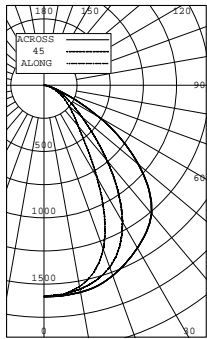
CCT Correction Factors: 2700-97 = 0.77; 2700-83 = 0.92; 3000-97 = 0.84; 3500-83 = 1.08; 4000-83 = 1.17

MURRO LED WALL WASH 31W 3000K

Source: 1 white LED array Lumens: 2860

Track Mounting

LTL# 827309



**ZONAL LUMEN SUMMARY**

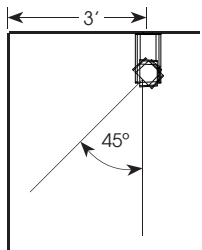
Zone	Lumens	%Fixt
0-30	1177	41.16
0-40	1780	62.24
0-60	2617	91.48
0-90	2860	100.0
40-90	1080	37.76
60-90	244	8.52
90-180	0	0.00
0-180	2860	100.00

Efficacy (lm/w = 91.1)

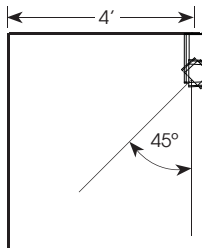
**APPLICATION DATA:**

**Footcandles on Wall**

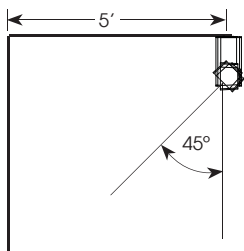
Footcandles are average and rounded off. Data for multiple units are based on a minimum of five units.



	6'							
0.5'	64	66	55	43	43	53	64	65
1.5'	115	119	94	75	74	91	115	116
2.5'	93	94	83	82	81	81	93	94
3.5'	64	64	60	56	55	60	64	64
4.5'	43	43	42	41	41	42	42	43
5.5'	31	31	31	30	30	30	30	30
6.5'	22	22	22	22	22	22	22	22
7.5'	17	17	17	17	17	16	16	16
8.5'	13	13	13	13	13	13	13	12



	8'									
0.5'	35	35	31	25	23	23	25	31	34	34
1.5'	63	63	55	43	37	37	43	55	63	63
2.5'	65	65	57	48	43	43	48	57	65	64
3.5'	51	51	48	43	40	40	43	48	51	51
4.5'	39	39	37	35	33	33	35	37	38	38
5.5'	29	29	28	27	27	27	27	28	29	29
6.5'	22	22	22	22	21	21	22	22	22	22
7.5'	18	18	17	17	17	17	17	17	17	17
8.5'	14	14	14	14	14	14	14	14	14	14



	8'									
0.5'	23	23	23	21	20	20	21	23	23	23
1.5'	40	40	38	34	32	32	34	38	40	40
2.5'	49	49	46	42	39	39	42	46	49	48
3.5'	44	44	43	40	38	38	40	43	44	44
4.5'	37	37	37	35	34	34	35	37	37	37
5.5'	30	30	30	30	29	29	30	30	30	30
6.5'	25	25	25	24	24	24	24	25	24	24
7.5'	20	20	20	20	20	20	20	20	20	20
8.5'	17	17	17	17	17	17	17	17	17	17

# MURRO LED WALL WASH

VERTICAL TRACK WALL WASH LED



TYPE:

**DIMMING COMPATIBILITY:**

Amerlux® “Murro LED” track head is compatible with TRIAC and ELV dimming protocols prevalent in the United States. Please see below for general compatibilities and wiring diagrams. Amerlux recommends testing your unique dimming configuration as the exact full configuration (Dimmer, Fixture Quantity, Voltage, etc) may affect dimming performance.

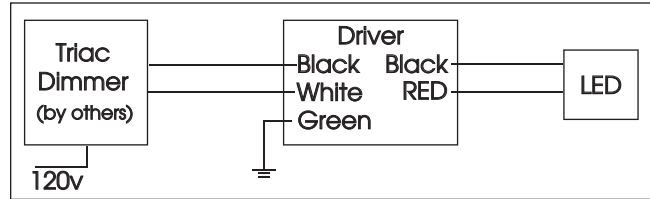
**TRIAC (Forward Phase) DIMMING (standard)**

Utilizes “Standard” incandescent dimmers that are in wide use in installations across the US. Best for retrofit applications where Triac dimmers are installed.

**Notes:**

- 19w-120v only, 31w-120v or 277v
- Dims down to less than 5% light output (most cases)
- Consult Dimming manufacturer for installation instructions - DO NOT SHARE NEUTRALS!
- Must meet dimmer Minimum Load Requirements per dimming manufacturer

Wiring Diagram



**Compatible Dimmers**

**Wall Box (Incandescent Style, Wattage as required)**

Lutron “Diva”  
Lutron “Nova-T”  
Lutron “Maestro”

Lutron “Vareo”  
Lutron “Skylark”

**Central System**

ETC “SR” Rack w/D20 Module  
Lutron “GP” Panel

ETC “DRD” Rack w/D20 Module  
Lutron Grafix Eye QS

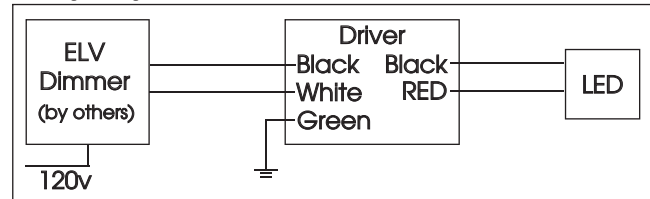
**ELV - Electronic Low Voltage (Reverse Phase) DIMMING (standard)**

Utilizes specialized “ELV” dimmers. Best for New Construction applications

**Notes:**

- 19w-120v only, 31w-120v or 277v
- Dims down to less than 5% light output (most cases)
- Consult Dimming manufacturer for installation instructions - DO NOT SHARE NEUTRALS!
- Must meet dimmer Minimum Load Requirements

Wiring Diagram



**Compatible Dimmers**

**Wall Box (ELV Style)**

Lutron “Diva”  
Lutron “Nova-T”  
Lutron “Maestro”  
Leviton “Surslide”

Lutron “Vareo”  
Lutron “Skylark”  
Leviton “Vizio”

**Central System**

ETC “SR” Rack w/ELV10 Module  
Lutron “GP” Panel with PHPM-PA Interface

ETC “DRD” Rack w/ELV10 Module  
Lutron Grafix Eye QS with PHPM-PA Interface