

EVOKE® GENERATION 2 HP

2.9" SQUARE LENS WALL WASH TRIMLESS LED

E2.9SLW-G2-HP-TL
LED



APPLICATION:

Commercial and retail wall wash lighting

HOUSING CONSTRUCTION:

20 ga. steel painted matte black
Formed aperture plate with 5/8" lip
Cast aluminum plaster frame w/perforated face Integral
adjustable locking mounting bars
Thermally protected

REFLECTOR TRIM CONSTRUCTION:

Die-cast aluminum seamless self-flanged trim
Painted finishes include matte white and optical matte black
with matte white flange
Engineered diffusing lens

OPTICS:

LED:

Color Temp Options: 2700K, 3000K, 3500K, 4000K
CRI: 85 typ. (2700K, 3000K, 3500K, 4000K)
90+ typ. (3000K)
Life: 50,000 hrs
Lumen Maintenance: >70% of initial lumens @ 50,000 hrs
Lumen Output: 17W - 470
20W - 529

ELECTRICAL:

Standard:

Electronic constant current LED driver, 120v or 277v input.
ELV Dimming standard, 120v only
See following pages for more information.

**This product complies with IEEE C62.41 for surge
endurance up to 2.5KV. Amerlux® recommends using
additional surge protection with this unit (supplied by
others), surge damage is not covered by warranty.**

Options:

Dimming: Options available for ELV, Triac, 0-10v and Lutron
systems. See following pages for more information

Multi-Function: EM secondary driver 120v/277v input from
inverter/generator system (by others) or Night Light (NL)
secondary driver 120v/277v input, constant power

MOUNTING:

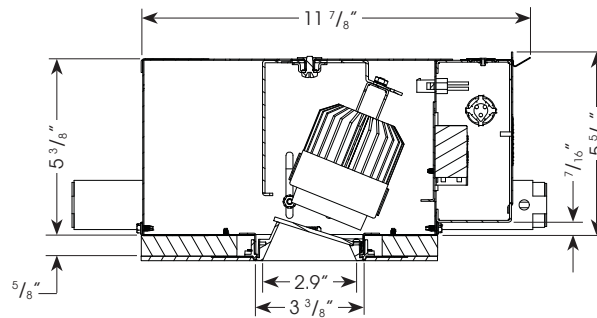
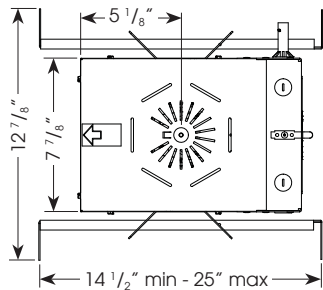
For use in sheet rock ceilings, ceiling thickness 5/8"
Consult factory for other thicknesses

LABELING:

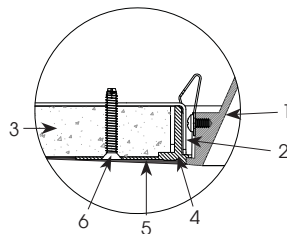
pending approval to UL standards as tested by CSA
Damp location
For indoor use only

PROJECT:

TYPE:



Ceiling Cut Out Dimension: 4 1/16"



1. Reflector Trim
2. Fixture Housing Aperture Plate
3. Ceiling 5/8" (1" max)
4. Cast Aluminum Plaster Frame
5. Plaster Skim Coat (by others)
6. 6-32 Type F Thread Cutting Screw

ELECTRICAL

Driver	17w System		20w System	
	Watts	Amps	Watts	Amps
Electronic 120v	17	0.14	20	0.17
277v	17	0.06	20	0.07

ORDERING INFORMATION:

Housing Model	Wattage	Lamp Type	Voltage	Color Temp	Options	Reflector Model	Aperture Finish
E2.9SLW-G2-HP-TL	17 20	LED	120 277	2700 3000 3500 4000	DIM-ELV - ELV dimming (120v only) DIM-TRIAC - Triac dimming (120v only) HILUME - Lutron Hi-lume® dimming driver 0-10V - 0-10v dimming MF-EM - multi-function emergency driver MF-NL - multi-function night light driver	E2.9SLW-G2-HP-TL	MB - matte black MW - matte white SLV - matte silver
				3000-90 (90+CRI)			

Complete Unit Specification: E2.9SLW-G2-HP-TL-20-LED-120-3000/E2.9SLW-G2-TL-MB

Housing Only: E2.9SLW-G2-HP-TL-20-LED-120-3000

Reflector Only: E2.9SLW-G2-HP-TL-MB

Cat #:

Amerlux® reserves the right to change details that do not affect overall function and performance.



10 year limited
warranty
AMERLUX LED
(see website for details)

EVOKE® GENERATION 2

2.9" SQUARE LENS WALL WASH TRIMLESS LED

E2.9SLW-G2-TL
LED



TYPE:

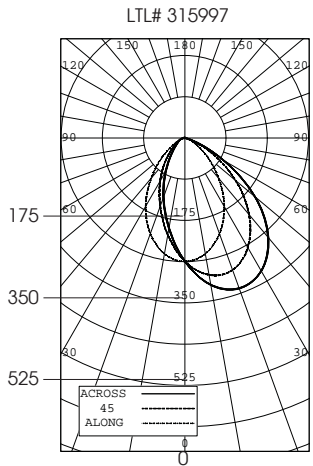


FIXTURE DATA:

Complete photometric data (.ies format) available upon request.

17W LED/W LED

20W LED 20W LED

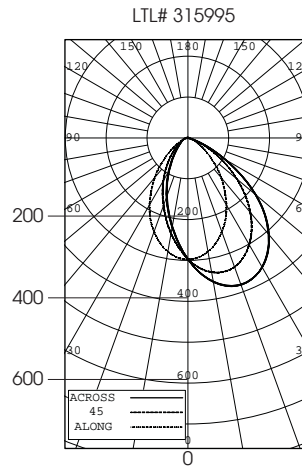


ZONAL LUMEN SUMMARY

Zone	Lumens	%Fxt
0-30	188	39.94
0-40	288	61.42
0-60	432	92.05
0-90	470	100.00
40-90	181	38.58
60-90	37	7.95
90-180	0	0.00
0-180	470	100.00

Total Lumen Output: 470

Luminaire Efficacy: 28.6 lumens/watt



ZONAL LUMEN SUMMARY

Zone	Lumens	%Fxt
0-30	212	40.10
0-40	326	61.59
0-60	487	92.12
0-90	529	100.00
40-90	203	38.41
60-90	42	7.88
90-180	0	0.00
0-180	529	100.00

Total Lumen Output: 529

Luminaire Efficacy: 28.0 lumens/watt

APPLICATION DATA:

Footcandles on Wall

Footcandles are average and rounded off.
Data for multiple units are based on a minimum of five units.

17W LED

20W LED

1.5 Feet From Wall

Distance from ceiling	1.5' spacing			
	0.5'	1.5'	2.5'	3.5'
0.5'	19	19	19	20
1.5'	48	50	50	50
2.5'	39	42	42	42
3.5'	23	26	26	26
4.5'	14	16	16	16
5.5'	9	10	11	11
6.5'	7	7	8	7
7.5'	5	6	6	6

1.5 Feet From Wall

Distance from ceiling	1.5' spacing			
	0.5'	1.5'	2.5'	3.5'
0.5'	21	21	21	22
1.5'	54	56	56	56
2.5'	44	47	47	47
3.5'	26	29	30	29
4.5'	16	18	18	18
5.5'	11	12	12	12
6.5'	8	8	9	8
7.5'	6	6	6	6

1.5 Feet From Wall

Distance from ceiling	2' spacing			
	0.5'	1.5'	2.5'	3.5'
0.5'	16	14	16	14
1.5'	39	37	39	37
2.5'	32	32	33	32
3.5'	20	21	21	20
4.5'	13	13	13	13
5.5'	9	9	9	9
6.5'	6	7	7	6
7.5'	5	5	5	5

1.5 Feet From Wall

Distance from ceiling	2' spacing			
	0.5'	1.5'	2.5'	3.5'
0.5'	17	16	17	15
1.5'	44	42	44	41
2.5'	36	36	37	36
3.5'	22	23	23	23
4.5'	14	15	15	14
5.5'	10	10	10	10
6.5'	7	7	7	7
7.5'	5	6	6	6

2 Feet From Wall

Distance from ceiling	2' spacing			
	0.5'	1.5'	2.5'	3.5'
0.5'	7	7	7	7
1.5'	25	25	26	25
2.5'	30	30	30	30
3.5'	22	23	23	22
4.5'	15	16	16	15
5.5'	11	11	11	11
6.5'	8	8	8	8
7.5'	6	6	6	6

2 Feet From Wall

Distance from ceiling	2' spacing			
	0.5'	1.5'	2.5'	3.5'
0.5'	8	8	8	8
1.5'	28	28	28	28
2.5'	33	34	34	33
3.5'	25	25	26	25
4.5'	17	18	18	17
5.5'	12	13	13	12
6.5'	9	9	9	9
7.5'	7	7	7	7

EVOKE® GENERATION 2

2.9" SQUARE LENS WALL WASH TRIMLESS LED

E2.9SLW-G2-TL
LED



TYPE:



DIMMING COMPATIBILITY:

Amerlux® "Evoke® 2.9 G2" fixtures are compatible with all major dimming protocols prevalent in the United States. Please see below for general compatibilities and wiring diagrams. Amerlux® recommends testing your unique dimming configuration as the exact full configuration (Dimmer, Fixture Quantity, Voltage, etc) may affect dimming performance.

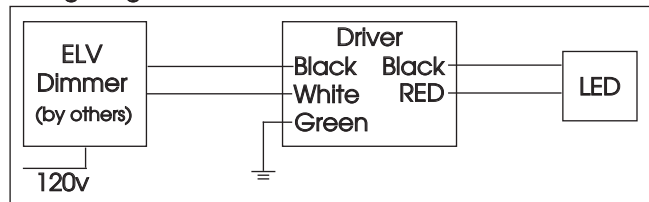
ELV - Electronic Low Voltage (Reverse Phase) DIMMING (-DIM-ELV Option)

Utilizes specialized "ELV" dimmers. Best for New Construction applications

Notes:

- 120v ONLY
- Dims down to less than 5% light output (most cases)
- Consult Dimming manufacturer for installation instructions - DO NOT SHARE NEUTRALS!
- Must meet dimmer Minimum Load Requirements

Wiring Diagram



Compatible Dimmers

Wall Box (ELV Style)

Lutron "Diva"
Lutron "Nova-T"
Lutron "Maestro"
Leviton "Surslide"

Lutron "Vareo"
Lutron "Skylark"

Leviton "Vizio"

Central System

ETC "SR" Rack w/ELV10 Module
Lutron "GP" Panel with PHPM-PA Interface

ETC "DRD" Rack w/ELV10 Module
Lutron Grafix Eye QS with PHPM-PA Interface

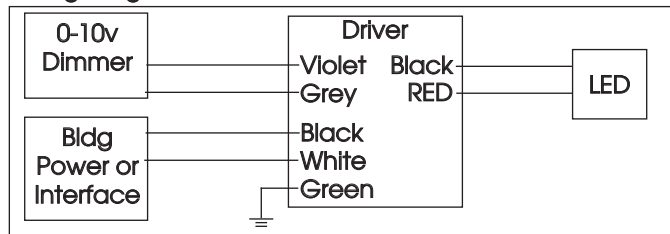
0-10V - DIMMING (-0-10V Option)

Integrates into a variety of building management and daylighting controls

Notes:

- 120v - 277v
- Dims down to less than 10% light output
- Requires interface to turn off power to driver
- Consult Dimming manufacturer for installation instructions - DO NOT SHARE NEUTRALS!

Wiring Diagram



Compatible Dimmers

Wall Box

Lutron "Diva" - DVTV with PP-120H Interface

Leviton Renoir II 0-10v

Central System

Lutron Grafix Eye with GRX-TVI Interface

EVOKE® GENERATION 2

2.9" SQUARE LENS WALL WASH TRIMLESS LED

E2.9SLW-G2-TL
LED



TYPE:



LUTRON HI-LUME / ECO-SYSTEM (-DIM-HILUME Option)

Integrates into a variety of building management and daylighting controls

Notes:

- 120v or 277v
- Dims down to less than 5% light output
- May use 3-Wire or Ecosystem Control
- Consult Dimming manufacturer for installation instructions - DO NOT SHARE NEUTRALS!

Compatible Dimmers

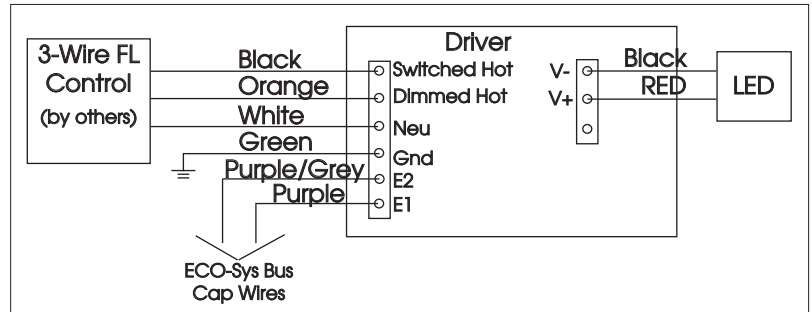
Wall Box (3-Wire Fluorescent)

DIVA
Maestro
Nova T
Vareo

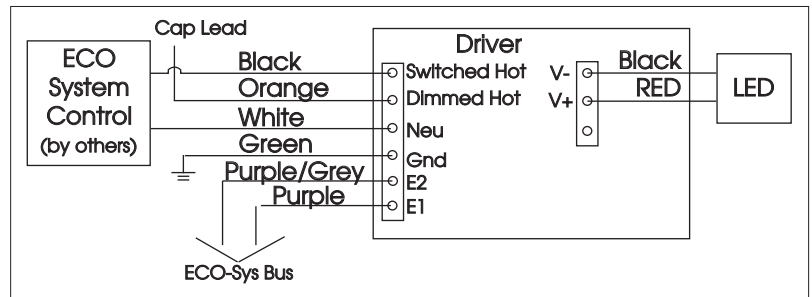
Central System

Lutron ECO-System compatible controls
ETC "SR" Rack w/D20F Module
ETC "DRD" Rack w/D20F Module

3-Wire Wiring Diagram

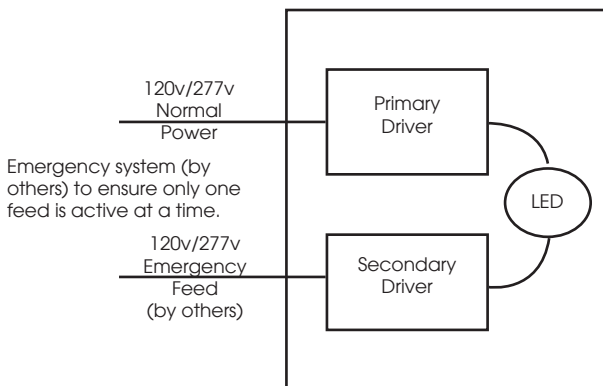


ECO System Digital Control Wiring



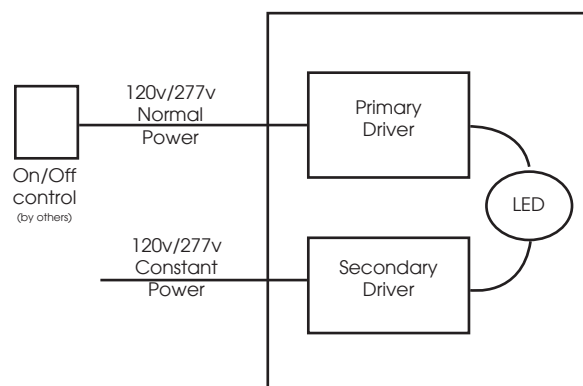
MULTI-FUNCTION

Emergency Configuration



In Emergency configuration
Multi-Function driver provides
100 mA of drive current.
17w = 20% output
20w = 16% output

Night Light Configuration



In Night Light configuration
Multi-Function driver provides
10 mA of drive current when
primary driver is switched off.
17w = 2% output
20w = 1.5% output

Patent-Pending