

# EVOKE® GENERATION 2 HP

2.9" SQUARE ADJUSTABLE TRIMLESS LED

E2.9SA-G2-HP-TL  
LED

**APPLICATION:**

Commercial and retail accent lighting

**HOUSING CONSTRUCTION:**

20 ga. steel painted matte black  
Formed aperture plate with 5/8" lip (GB-standard)  
Cast aluminum plaster frame w/perforated face  
Integral adjustable locking mounting bars  
Thermally protected

**REFLECTOR TRIM CONSTRUCTION:**

Die-cast aluminum seamless self-flange reflector trim  
Painted finishes include matte white and optical matte black with matte white flange  
Spring steel mounting clips

**OPTICS:**

Cam adjustment mechanism provides lockable 0-40° tilt;  
360°+ rotation

Available in a variety of beam spreads  
LED:

Color Temp Options: 2700K, 3000K, 3500K, 4000K  
CRI: 85 typ. (2700K, 3000K, 3500K, 4000K)  
90+ typ. (3000K)  
Life: 50,000 hrs  
Lumen Maintenance: >70% of initial lumens @ 50,000 hrs  
Lumen Output (20w, 25° tilt, 3000K): 843 lm (Spot)  
CBCP (20w, 25° tilt, 3000K): 6664 (Spot)

**ELECTRICAL:**

**Standard:**

Electronic constant current LED driver, 120v or 277v input.  
**This product complies with IEEE C62.41 for surge endurance up to 2.5KV. Amerlux® recommends using additional surge protection with this unit (supplied by others), surge damage is not covered by warranty.**

**Options:**

**Dimming:** Options available for ELV, Triac, 0-10v and Lutron systems. See following pages for more information

**Multi-Function:** EM secondary driver 120v/277v input from inverter/generator system (by others) or Night Light (NL) secondary driver 120v/277v input, constant power

**MOUNTING:**

For use in sheet rock ceilings, ceiling thickness 5/8"  
Consult factory for other thicknesses

**LABELING:**

 pending approval to UL standards as tested by CSA

Damp location  
For indoor use only

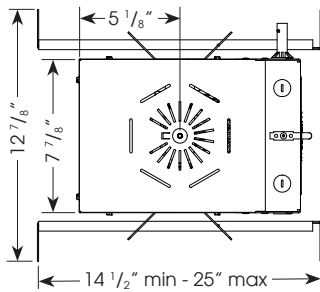


PROJECT:

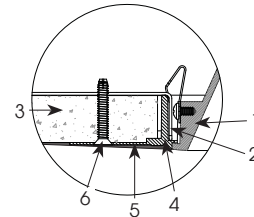
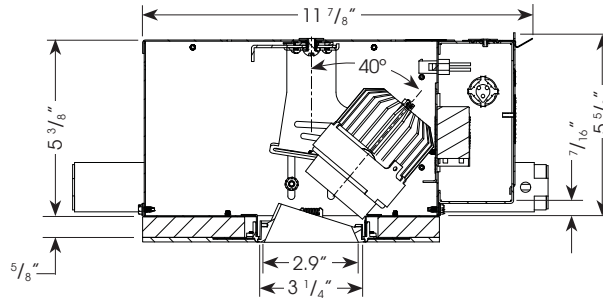
TYPE:



Electrostatic sensitive device,  
observe precautions for  
handling



Ceiling Cut Out Dimension: 4 1/16"



1. Reflector Trim
2. Fixture Housing Aperture Plate
3. Ceiling 5/8" (1" max)
4. Cast Aluminum Plaster Frame
5. Plaster Skim Coat (by others)
6. 6-32 Type F Thread Cutting Screw

**ELECTRICAL**

Driver	System	17w		20w	
		Watts	Amps	Watts	Amps
Electronic 120v	120v	17	0.14	20	0.17
	277v	17	0.06	20	0.07

**ORDERING INFORMATION:**

Housing Model	Wattage	Lamp Type	Voltage	Beam Spread	Color Temp	Options	Reflector Model	Aperture Finish
E2.9SA-G2-HP-TL	17 20	LED	120 277	NSP - narrow spot, 12° SP - spot, 15° NF - narrow flood, 20° MFL - medium flood, 24° FL - flood, 28° WF - wide flood, 45°	2700 3000 3500 4000	DIM-ELV - ELV dimming (120v only) DIM-TRIAC - Triac dimming (120v only) HILUME - Lutron Hi-lume® dimming driver 0-10V - 0-10v dimming MF-EM - multi-function emergency driver MF-NL - multi-function night light driver	E2.9SA-G2-HP-TL	MB - matte black MW - matte white SLV - matte silver

Complete Unit Specification: E2.9SA-G2-HP-TL-20-LED-120-SP-3000/E2.9SA-G2-HP-TL-MW

Housing Only: E2.9SA-G2-HP-TL-20-LED-120-SP-3000

Reflector Only: E2.9SA-G2-HP-TL-MW

Cat #:

Amerlux® reserves the right to change details that do not affect overall function and performance.



# EVOKE® GENERATION 2 HP

2.9" SQUARE ADJUSTABLE TRIMLESS LED

E2.9SA-G2-HP-TL  
LED



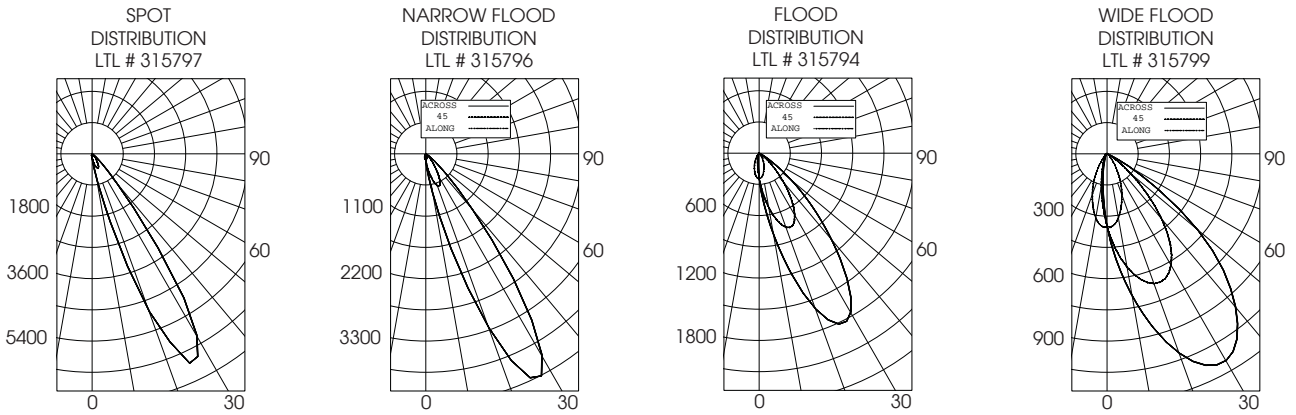
TYPE:



**FIXTURE DATA:** For 17w data, multiply by 0.89

Complete photometric data (ies format) available upon request.

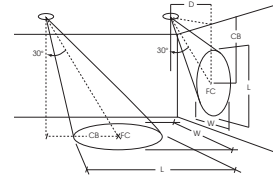
**20W LED**



**APPLICATION DATA:**

**Notes and Definitions:**

Beam spread is to 50% center beam candlepower (CBCP).  
 D=Distance to floor or wall.  
 FC=Footcandles on floor or wall at center beam aiming location.  
 L=Effective Visual Beam length in feet (50% of maximum footcandle level).  
 W=Effective Visual Beam width in feet (50% of maximum footcandle level).  
 CB=Distance across or down to center beam location.



	25° Aiming Angle Horizontal Footcandles					25° Aiming Angle Vertical Footcandles				
	D	FC	L	W	CB	D	FC	L	W	CB
SPOT	5.0'	130	2.3	2.3	2.0	3.0'	63	3.7	2.4	5.5
	7.5'	67	3.1	3.0	4.0	4.0'	40	4.7	2.8	6.5
	10.0'	43	4.5	4.6	5.0	5.0'	27	5.7	3.2	8.5
	12.5'	28	4.9	4.7	6.0	6.0'	19	6.7	3.7	10.5
NARROW FLOOD	5.0'	93	2.5	2.6	2.0	3.0'	47	4.0	2.7	4.5
	7.5'	46	3.5	3.6	4.0	4.0'	29	5.1	3.2	6.5
	10.0'	29	4.4	4.6	5.0	5.0'	19	6.2	3.9	7.5
	12.5'	19	5.4	5.8	6.0	6.0'	14	7.4	4.5	9.5
FLOOD	5.0'	48	3.4	3.5	2.0	3.0'	28	3.7	3.4	3.5
	7.5'	22	4.7	5.1	3.0	4.0'	17	5.5	4.4	5.5
	10.0'	13	6.1	6.6	4.0	5.0'	11	6.7	5.3	6.5
	12.5'	9	7.6	8.3	5.0	6.0'	8	8.2	6.3	7.5
WIDE FLOOD	5.0'	32	4.2	4.2	2.0	3.0'	26	3.7	3.4	3.5
	7.5'	14	6.2	6.1	3.0	4.0'	16	4.7	4.5	4.5
	10.0'	8	8.2	8.1	4.0	5.0'	10	5.8	5.4	5.5
	12.5'	6	10.3	10.1	5.0	6.0'	7	7.0	6.5	5.5

# EVOKE® GENERATION 2 HP

2.9" SQUARE ADJUSTABLE TRIMLESS LED

E2.9SA-G2-HP-TL  
LED



TYPE:



**DIMMING COMPATIBILITY:**

Amerlux® "Evoke® 2.9 G2" fixtures are compatible with all major dimming protocols prevalent in the United States. Please see below for general compatibilities and wiring diagrams. Amerlux® recommends testing your unique dimming configuration as the exact full configuration (Dimmer, Fixture Quantity, Voltage, etc) may affect dimming performance.

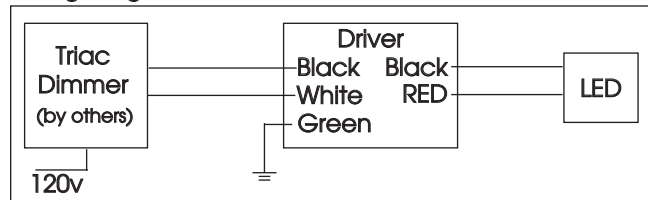
**TRIAC (Forward Phase) DIMMING (-DIM-TRIAC Option) ---not compatible with 12w module---**

Utilizes "Standard" incandescent dimmers that are in wide use in installations across the US. Best for retrofit applications where Triac dimmers are installed.

**Notes:**

- 120v ONLY
- Dims down to less than 5% light output (most cases)
- Consult Dimming manufacturer for installation instructions - DO NOT SHARE NEUTRALS!
- Must meet dimmer Minimum Load Requirements per dimming manufacturer

Wiring Diagram



**Compatible Dimmers**

**Wall Box** (Incandescent Style, Wattage as required)

Lutron "Diva"  
Lutron "Nova-T"  
Lutron "Maestro"

Lutron "Vareo"  
Lutron "Skylark"

**Central System**

ETC "SR" Rack w/D20 Module  
Lutron "GP" Panel

ETC "DRD" Rack w/D20 Module  
Lutron Grafix Eye QS

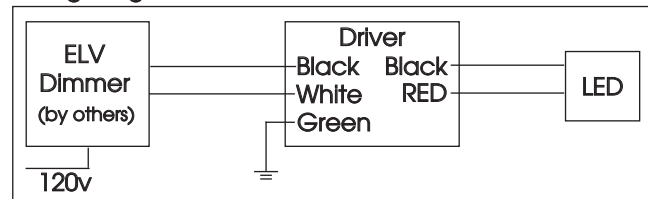
**ELV - Electronic Low Voltage (Reverse Phase) DIMMING (-DIM-ELV Option)**

Utilizes specialized "ELV" dimmers. Best for New Construction applications

**Notes:**

- 120v ONLY
- Dims down to less than 5% light output (most cases)
- Consult Dimming manufacturer for installation instructions - DO NOT SHARE NEUTRALS!
- Must meet dimmer Minimum Load Requirements

Wiring Diagram



**Compatible Dimmers**

**Wall Box** (ELV Style)

Lutron "Diva"  
Lutron "Nova-T"  
Lutron "Maestro"  
Leviton "Surslide"

Lutron "Vareo"  
Lutron "Skylark"  
Leviton "Vizio"

**Central System**

ETC "SR" Rack w/ELV10 Module  
Lutron "GP" Panel with PPHM-PA Interface

ETC "DRD" Rack w/ELV10 Module  
Lutron Grafix Eye QS with PPHM-PA Interface

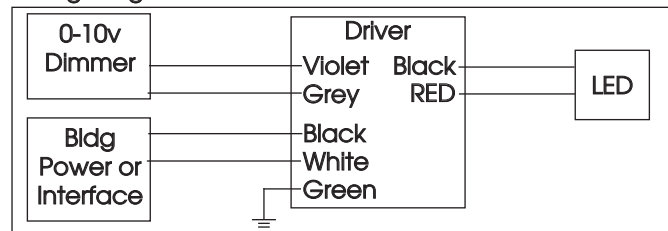
**0-10V - DIMMING (-0-10V Option)**

Integrates into a variety of building management and daylighting controls

**Notes:**

- 120v - 277v
- Dims down to less than 10% light output
- Requires interface to turn off power to driver
- Consult Dimming manufacturer for installation instructions - DO NOT SHARE NEUTRALS!

Wiring Diagram



**Compatible Dimmers**

**Wall Box**

Lutron "Diva" - DVTV with PP-120H Interface

Leviton Renoir II 0-10v

**Central System**

Lutron Grafix Eye with GRX-TVI Interface

# EVOKE® GENERATION 2 HP

2.9" SQUARE ADJUSTABLE TRIMLESS LED

E2.9SA-G2-HP-TL  
LED



TYPE:



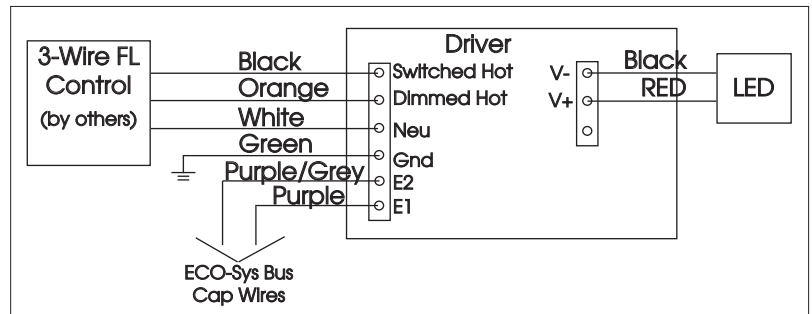
## LUTRON HI-LUME / ECO-SYSTEM (-DIM-HILUME Option)

Integrates into a variety of building management and daylighting controls

### Notes:

- 120v or 277v
- Dims down to less than 5% light output
- May use 3-Wire or Ecosystem Control
- Consult Dimming manufacturer for installation instructions - DO NOT SHARE NEUTRALS!

### 3-Wire Wiring Diagram



### Compatible Dimmers

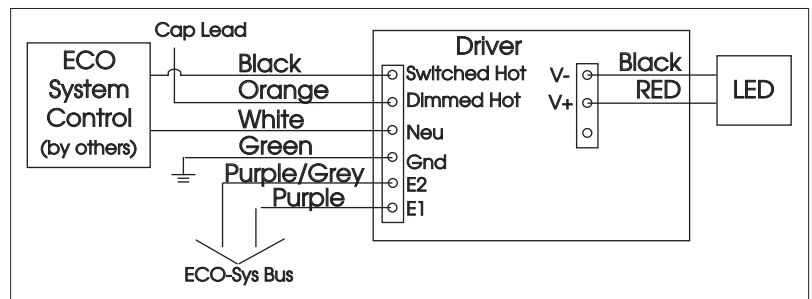
#### Wall Box (3-Wire Fluorescent)

- DIVA
- Maestro
- Nova T
- Vareo

#### Central System

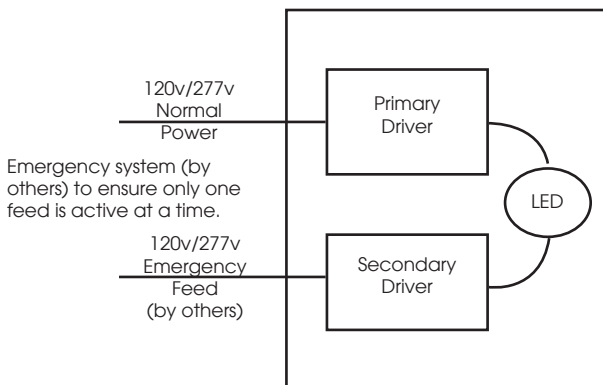
- Lutron ECO-System compatible controls
- ETC "SR" Rack w/D20F Module
- ETC "DRD" Rack w/D20F Module

### ECO System Digital Control Wiring



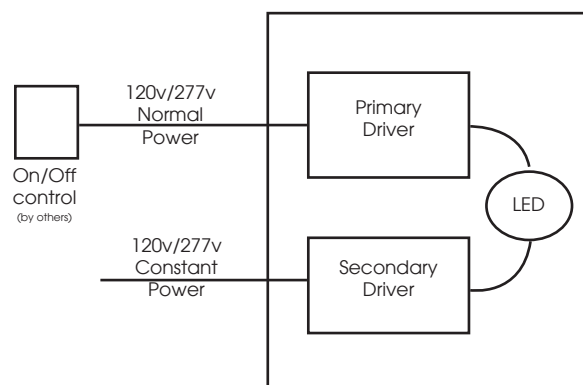
## MULTI-FUNCTION

Emergency Configuration



In Emergency configuration  
Multi-Function driver provides  
100 mA of drive current.  
17w = 20% output  
20w = 16% output

Night Light Configuration



In Night Light configuration  
Multi-Function driver provides  
10 mA of drive current when  
primary driver is switched off.  
17w = 2% output  
20w = 1.5% output

Patent-Pending