

EVOKE® GENERATION 2

2.9" SQUARE PINHOLE ADJUSTABLE TRIMLESS LED

APPLICATION:

Commercial and retail accent and display lighting

HOUSING CONSTRUCTION:

20 ga. steel painted matte black
Formed aperture plate with $\frac{5}{8}$ " lip
Cast aluminum plaster frame w/perforated face Integral adjustable locking mounting bars
Thermally protected

PINHOLE TRIM CONSTRUCTION:

Die-cast aluminum faceplate painted matte white
Die-cast knife edge baffle painted matte black
Spring steel mounting clips

OPTICS:

Cam adjustment mechanism provides lockable 0-35° tilt; 360°+ rotation
Available in a variety of beam spreads

LED:

Color Temp Options: 2700K, 3000K, 3500K, 4000K
CRI: 85 typ. (2700K, 3000K, 3500K, 4000K)
90+ typ. (3000K)

Life: 50,000 hrs

Lumen Maintenance: >70% of initial lumens @ 50,000 hrs

Lumen Output: Spot 430 lm typical

Flood 356 lm typical

Wide Flood 280 lm typical

ELECTRICAL:

Standard:

Electronic constant current LED driver, 120v or 277v input.
ELV Dimming standard, 120v only
See following pages for more information.

This product complies with IEEE C62.41 for surge endurance up to 2.5KV. Amerlux® recommends using additional surge protection with this unit (supplied by others), surge damage is not covered by warranty.

Options:

Dimming: Lutron Hi-lume® dimming driver and 0-10v dimming available. See following pages for more information

Emergency Battery Pack: Bodine BSL26C (or equal) Emergency driver with max. output of 5.1w/265mA for 90 minutes yielding 350 lumens.

EM BATTERY PACK OPTION REQUIRES ABOVE CEILING ACCESS FOR SERVICE

MOUNTING:

For use in sheet rock ceiling. Max. ceiling thickness - 1"

LABELING:



IC rated

For indoor use only

E2.9SPA-G2-TL
LED



PROJECT:

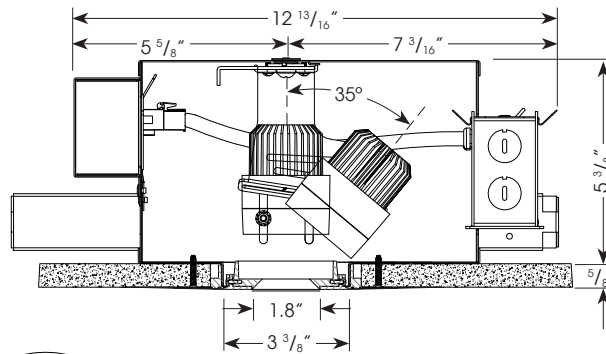
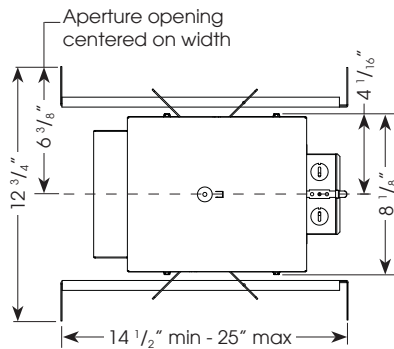
TYPE:



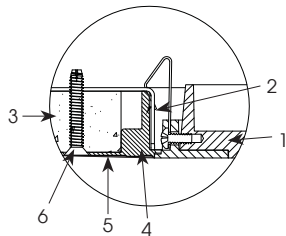
Electrostatic sensitive device,
observe precautions for
handling

10 year limited
warranty
AMERLUX LED

(see website for details)



Ceiling Cut Out Dimension: 4 1/16"



1. Reflector Trim
2. Fixture Housing Aperture Plate
3. Ceiling 5/8" (1" max)
4. Cast Aluminum Plaster Frame
5. Plaster Skim Coat (by others)
6. 6-32 Type F Thread Cutting Screw

ELECTRICAL

Driver	12w	
	Input Watts	Amps
Electronic 120v	12	.10
277v	12	.04

ORDERING INFORMATION:

Housing Model						Reflector Model	
Wattage	Lamp Type	Voltage	Beam Spread	Color Temp	Options	Model	Aperture Finish
12	LED	120 277	NSP - narrow spot, 12° SP - spot, 15° NF - narrow flood, 20° MFL - medium flood, 24° FL - flood, 28° WF - wide flood, 45°	2700 3000 3500 4000 3000-90 (90+CRI)	DIM-ELV - ELV dimming (120v only) HILUME - Lutron Hi-lume® dimming driver 0-10V - 0-10v dimming MF-EM - multi-function emergency driver MF-NL - multi-function night light driver EM - emergency battery pack w/remote test switch (EM BATTERY PACK OPTION REQUIRES ABOVE CEILING ACCESS FOR SERVICE) CP - Chicago Plenum AT - air tight	E2.9SPA-G2-TL	Faceplate with black baffle MW - matte white

Complete Unit Specification: E2.9SA-G2-TL-12-LED-120-SP-3000/E2.9SPA-G2-TL-MW

Housing Only: E2.9SA-G2-TL-12-LED-120-SP-3000

Reflector Only: E2.9SPA-G2-TL-MW

Cat #:

Amerlux® reserves the right to change details that do not affect overall function and performance.

EVOKE® GENERATION 2

2.9" SQUARE PINHOLE ADJUSTABLE TRIMLESS LED

E2.9SPA-G2-TL
LED



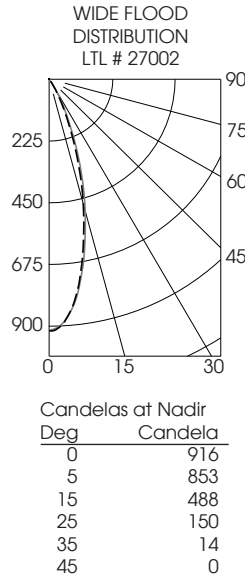
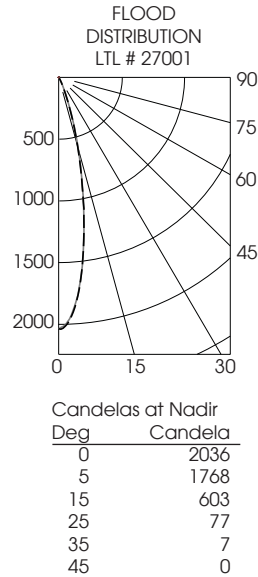
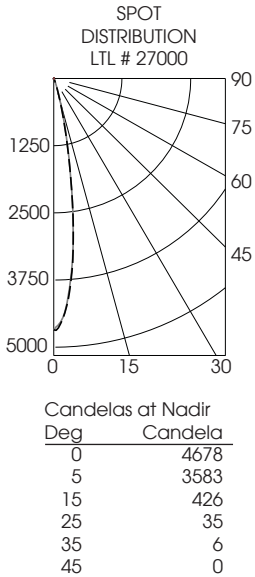
TYPE:



FIXTURE DATA:

Complete photometric data (ies format) available upon request.

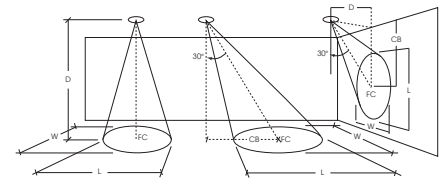
12W LED



APPLICATION DATA:

Notes and Definitions:

Beam spread is to 50% center beam candlepower (CBCP).
 D=Distance to floor or wall.
 FC=Footcandles on floor or wall at center beam aiming location.
 L=Effective Visual Beam length in feet (50% of maximum footcandle level).
 W=Effective Visual Beam width in feet (50% of maximum footcandle level).
 CB=Distance across or down to center beam location.



0° Aiming Angle
Horizontal
Footcandles

	D	FC	L	W
SPOT	5.0'	187	1.3	1.3
	7.5'	83	2.1	2.1
	10.0'	47	2.8	2.8
	12.5'	30	3.5	3.5
FLOOD	5.0'	81	1.9	1.8
	7.5'	36	2.9	2.9
	10.0'	20	3.8	3.7
	12.5'	13	4.8	4.8
WIDE FLOOD	5.0'	37	2.7	2.6
	7.5'	16	3.9	3.7
	10.0'	9	5.2	5.0
	12.5'	6	6.5	6.2

EVOKE® GENERATION 2

2.9" SQUARE PINHOLE ADJUSTABLE TRIMLESS LED

E2.9SPA-G2-TL
LED



TYPE:



DIMMING COMPATIBILITY:

Amerlux® "Evoke® 2.9 G2" fixtures are compatible with all major dimming protocols prevalent in the United States. Please see below for general compatibilities and wiring diagrams. Amerlux® recommends testing your unique dimming configuration as the exact full configuration (Dimmer, Fixture Quantity, Voltage, etc) may affect dimming performance.

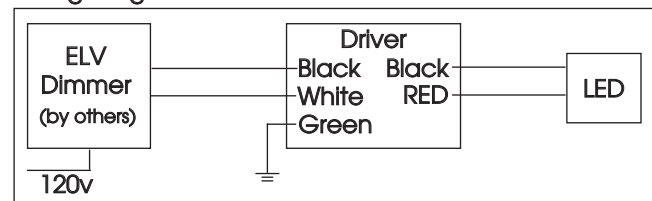
ELV - Electronic Low Voltage (Reverse Phase) DIMMING (-DIM-ELV Option)

Utilizes specialized "ELV" dimmers. Best for New Construction applications

Notes:

- 120v ONLY
- Dims down to less than 5% light output (most cases)
- Consult Dimming manufacturer for installation instructions - DO NOT SHARE NEUTRALS!
- Must meet dimmer Minimum Load Requirements

Wiring Diagram



Compatible Dimmers

Wall Box (ELV Style)

Lutron "Diva"
Lutron "Nova-T"
Lutron "Maestro"
Leviton "Surslide"

Lutron "Vareo"
Lutron "Skylark"

Leviton "Vizio"

Central System

ETC "SR" Rack w/ELV10 Module
Lutron "GP" Panel with PHPM-PA Interface

ETC "DRD" Rack w/ELV10 Module
Lutron Grafix Eye QS with PHPM-PA Interface

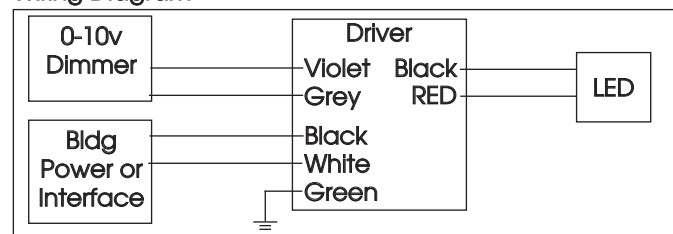
0-10V - DIMMING (-0-10V Option)

Integrates into a variety of building management and daylighting controls

Notes:

- 120v - 277v
- Dims down to less than 10% light output
- Requires interface to turn off power to driver
- Consult Dimming manufacturer for installation instructions - DO NOT SHARE NEUTRALS!

Wiring Diagram



Compatible Dimmers

Wall Box

Lutron "Diva" - DVTV with PP-120H Interface

Leviton Renoir II 0-10v

Central System

Lutron Grafix Eye with GRX-TVI Interface

EVOKE® GENERATION 2

2.9" SQUARE PINHOLE ADJUSTABLE TRIMLESS LED

E2.9SPA-G2-TL
LED



TYPE:



LUTRON HI-LUME / ECO-SYSTEM (-DIM-HILUME Option)

Integrates into a variety of building management and daylighting controls

Notes:

- 120v or 277v
- Dims down to less than 5% light output
- May use 3-Wire or Ecosystem Control
- Consult Dimming manufacturer for installation instructions - DO NOT SHARE NEUTRALS!

Compatible Dimmers

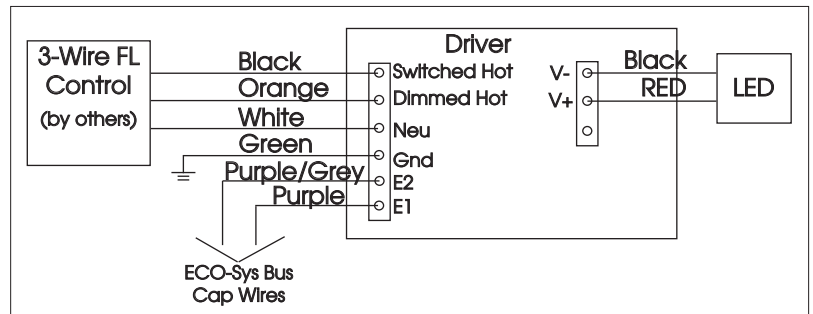
Wall Box (3-Wire Fluorescent)

DIVA
Maestro
Nova T
Vareo

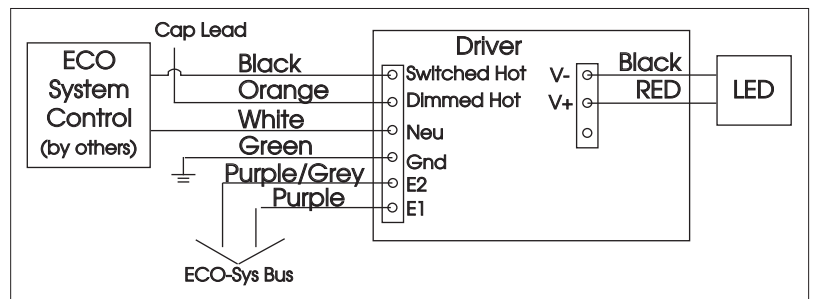
Central System

Lutron ECO-System compatible controls
ETC "SR" Rack w/D20F Module
ETC "DRD" Rack w/D20F Module

3-Wire Wiring Diagram

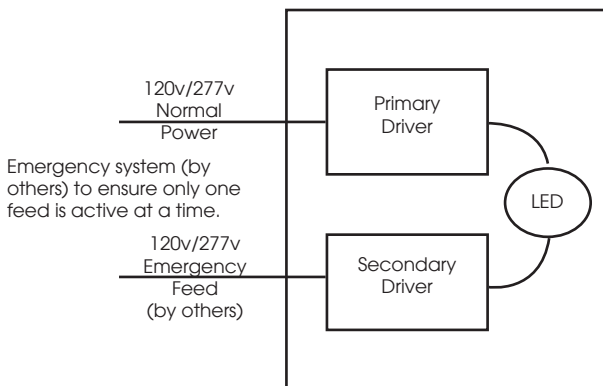


ECO System Digital Control Wiring



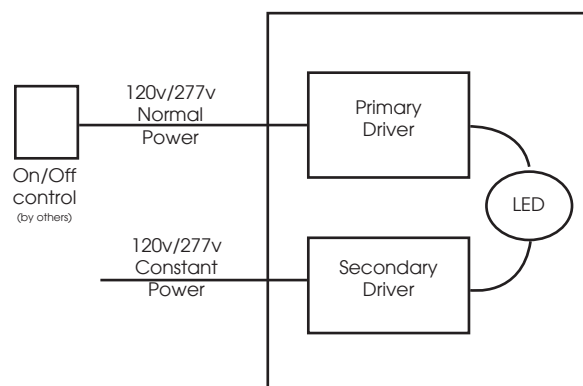
MULTI-FUNCTION

Emergency Configuration



In Emergency configuration
Multi-Function driver provides
100 mA of drive current.
17w = 20% output
20w = 16% output

Night Light Configuration



In Night Light configuration
Multi-Function driver provides
10 mA of drive current when
primary driver is switched off.
17w = 2% output
20w = 1.5% output

Patent-Pending