

CYLINDRIX® II VERTICAL GEN 2

GENERATION 2 TRACK LED

C2TV-G2
34w LED

APPLICATION:

Accent and display lighting for retail, commercial and hospitality environments

CONSTRUCTION:

Die-cast lens holder, lamp and ballast housing
Die-cast aluminum heatsink
Powder coat paint

ELECTRICAL:

Electronic constant current LED driver
120v or 277v input
Dimming down to less than 20%, available on 120v only with ELV dimming equipment, consult factory for approved device list

This product complies with IEEE C62.41 for surge endurance up to 2.5KV. Amerlux® recommends using additional surge protection with this unit (supplied by others), surge damage is not covered by warranty.

OPTICS:

LED cluster
Color Temp: 2700K, 3000K, 3500K or 4000K (± 175)
CRI: 82 typ.
Life: 50,000 hrs
Lumen Maintenance: >70% of initial lumens @ 50,000 hrs
Lumen Output: Spot: 1720 typ
Narrow Flood: 1712 typ
Flood: 1576 typ
Wide Flood: 1732 typ
0-90° tilt, 360° rotation

MOUNTING:

Track, canopy and busway
Note: Ceiling mount only

LABELING:

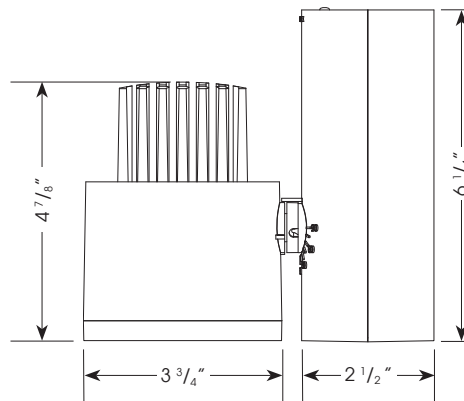


For indoor use only



PROJECT:

TYPE:



ELECTRICAL

Driver	Operating	
	Watts	Amps
Electronic 120v	34	.29
277v	34	.13

Class 2 constant current driver, 700 mA

ORDERING INFORMATION:

Model	Wattage	Lamp Type	Driver	Finish	Mounting	Voltage	Beam Spread	Color Temp	Options/Accessories
C2TV-G2	34	LED	E - electronic	WT - white texture BT - black texture ST - silver texture — (other RAL)	TN1 - Global 1cir/H-Style, 120v TEK - Global 2cir/2neut, 120v TN3 - Global 3cir, 120v TN2 - Global 2cir/2neut, 277v CT - J-Style LOL - L-Style LLAB - Litelab Bus Run, 120v B - busway C - canopy CCL2 - C-clamp with SCP - straight cord, 6' CCP - coil cord, 5'	120 277	CL - spot, 12° NF - narrow flood, 15° FL - flood, 32° WF - wide flood, 44°	2700 3000 3500 4000	DIM-ELV - ELV dimming (120v only) SN - snoot HEX - hexcell louver SL - linear spread lens

Example: C2TV-G2-34-LED-E-WT-TN1-120-NF-2700

Cat #:

Amerlux reserves the right to change details that do not affect overall function and performance.



10 year limited warranty
AMERLUX LED
(see website for details)

CYLINDRIX® II VERTICAL GEN 2

GENERATION 2 TRACK LED

C2TV-G2
34w LED



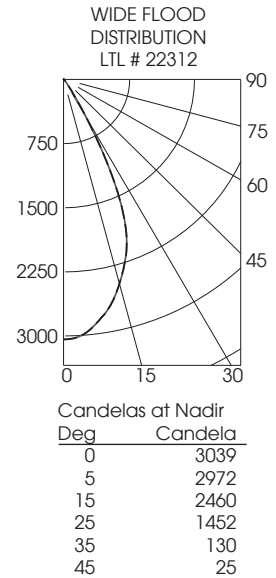
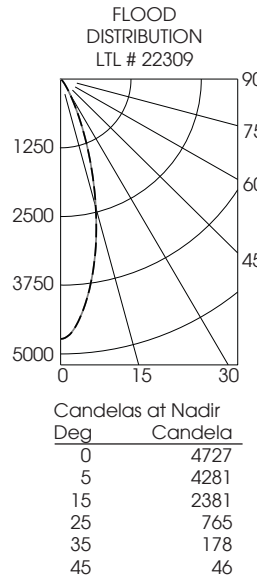
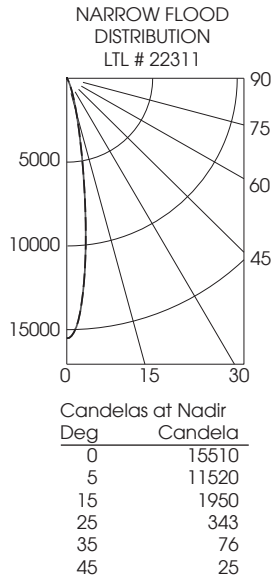
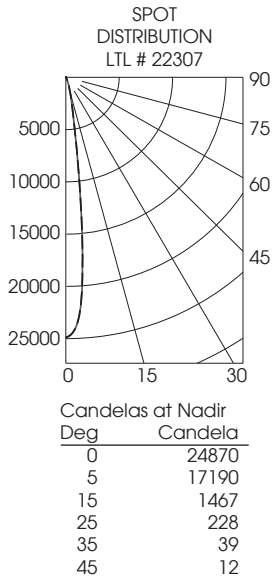
TYPE:



FIXTURE DATA:

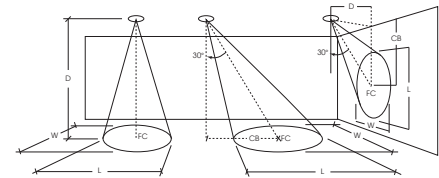
Complete photometric data (ies format) available upon request.

34W LED CLUSTER



APPLICATION DATA:

Notes and Definitions:
 Beam spread is to 50% center beam candlepower (CBCP).
 D=Distance to floor or wall.
 FC=Footcandles on floor or wall at center beam aiming location.
 L=Effective Visual Beam length in feet (50% of maximum footcandle level).
 W=Effective Visual Beam width in feet (50% of maximum footcandle level).
 CB=Distance across or down to center beam location.



	0° Aiming Angle Horizontal Footcandles				30° Aiming Angle Horizontal Footcandles					30° Aiming Angle Vertical Footcandles					60° Aiming Angle Vertical Footcandles				
	D	FC	L	W	D	FC	L	W	CB	D	FC	L	W	CB	D	FC	L	W	CB
SPOT	5.0'	995	1.1	1.1	5.0'	621	1.4	1.2	3.0	3.0'	102	2.9	3.1	2.8	3.0'	1778	0.8	0.7	1.7
	7.5'	442	1.5	1.5	7.5'	295	2.1	1.7	4.0	4.0'	59	3.8	4.1	3.3	4.0'	1025	1.2	1.0	2.3
	10.0'	249	2.3	2.3	10.0'	158	3.0	2.7	5.0	5.0'	38	4.8	5.1	4.3	5.0'	661	1.5	1.3	2.7
	12.5'	159	2.9	2.9	12.5'	105	3.5	3.2	7.0	6.0'	26	5.8	6.2	5.3	6.0'	461	1.8	1.5	3.2
NARROW FLOOD	5.0'	620	1.3	1.3	5.0'	387	1.9	1.5	3.0	3.0'	248	2.7	1.5	4.8	3.0'	1110	1.1	0.9	1.7
	7.5'	276	2.0	2.0	7.5'	182	2.7	2.3	4.0	4.0'	141	3.5	1.9	6.2	4.0'	640	1.4	1.3	2.2
	10.0'	155	2.8	2.8	10.0'	97	3.7	3.2	5.0	5.0'	91	4.4	2.5	7.7	5.0'	411	1.7	1.6	2.8
	12.5'	99	3.4	3.4	12.5'	66	4.3	3.7	7.0	6.0'	63	5.3	2.9	9.3	6.0'	286	2.1	1.8	3.3
FLOOD	5.0'	125	3.2	3.2	5.0'	91	3.8	3.5	3.0	3.0'	75	4.1	3.2	4.0	3.0'	184	2.8	2.7	1.5
	7.5'	68	4.3	4.3	7.5'	49	5.1	4.7	4.0	4.0'	48	5.2	3.8	5.0	4.0'	125	3.3	3.1	2.5
	10.0'	41	5.5	5.5	10.0'	30	6.6	6.0	5.0	5.0'	33	6.4	4.6	6.0	5.0'	97	3.7	3.4	2.6
	12.5'	28	6.7	6.7	12.5'	20	8.2	7.4	6.0	6.0'	23	7.8	5.4	7.5	6.0'	70	4.4	4.0	2.6
WIDE FLOOD	5.0'	122	4.0	4.0	5.0'	91	4.1	4.2	2.0	3.0'	102	2.9	3.1	2.8	3.0'	252	2.5	2.5	1.3
	7.5'	54	6.0	6.0	7.5'	41	6.1	6.4	3.0	4.0'	59	3.8	4.1	3.3	4.0'	143	3.3	3.4	1.3
	10.0'	30	8.0	8.0	10.0'	23	8.2	8.6	4.0	5.0'	38	4.8	5.1	4.3	5.0'	92	4.1	4.2	1.8
	12.5'	19	10.0	10.0	12.5'	15	10.3	10.7	4.0	6.0'	26	5.8	6.2	5.3	6.0'	64	4.9	5.1	2.3