

# CYLINDRIX® II VERTICAL G2

GENERATION 2 TRACK LED

C2TV-G2  
17w LED

## APPLICATION:

Accent and display lighting for retail, commercial and hospitality environments

## CONSTRUCTION:

Die-cast lens holder, lamp and ballast housing  
Die-cast aluminum heatsink  
Powder coat paint

## ELECTRICAL:

Electronic constant current LED driver  
120v or 277v input  
Dimming down to less than 20%, available on 120v only with ELV dimming equipment, consult factory for approved device list

This product complies with IEEE C62.41 for surge endurance up to 2.5KV. Amerlux® recommends using additional surge protection with this unit (supplied by others), surge damage is not covered by warranty.

## OPTICS:

LED cluster  
Color Temp: 2700K, 3000K, 3500K or 4000K (± 175)  
CRI: 82 typ.  
Life: 50,000 hrs  
Lumen Maintenance: >70% of initial lumens @ 50,000 hrs  
Lumen Output (3000K): Spot: 890 typ  
Narrow Flood: 873 typ  
Flood: 878 typ

0-90° tilt, 360° rotation  
Beam options: Spot 10°, Narrow Flood 18°, Flood 26°

## MOUNTING:

Track, canopy and busway  
**Note: Ceiling mount only**

## LABELING:

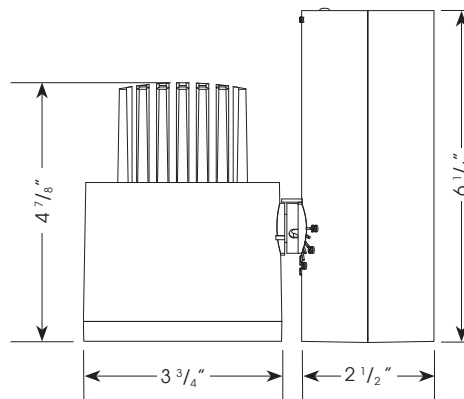


For indoor use only



PROJECT:

TYPE:



## ELECTRICAL

Driver	17 w	
	Operating Watts*	Amps*
Electronic 120v	17	.14
277v	17	.06

Class 2 constant current driver, 700 mA

## ORDERING INFORMATION:

Model	Wattage	Lamp Type	Driver	Finish	Mounting	Voltage	Beam Spread	Color Temp	Options/Accessories
C2TV-G2	17	LED	E - electronic	WT - white texture BT - black texture ST - silver texture - (other RAL)	TN1 - Global 1cir/H-Style, 120v TEK - Global 2cir/2neut, 120v TN3 - Global 3cir, 120v TN2 - Global 2cir/2neut, 277v CT - J-Style LOL - L-Style LLAB - Litelab Bus Run, 120v B - busway C - canopy CCL2 - C-clamp with SCP - straight cord, 6' CCP - coil cord, 5'	120 277	CL - spot, 10° NF - narrow flood, 18° FL - flood, 28°	2700 3000 3500 4000	DIM-ELV - ELV dimming (120v only) SN - snoot HEX - hexcell louver SL - linear spread lens

Example: C2TV-G2-17-LED-E-WT-TN1-120-NF-2700

Cat #:

Amerlux reserves the right to change details that do not affect overall function and performance.



**10** year limited warranty  
AMERLUX LED  
(see website for details)

# CYLINDRIX® II VERTICAL G2

GENERATION 2 TRACK LED

C2TV-G2  
17w LED



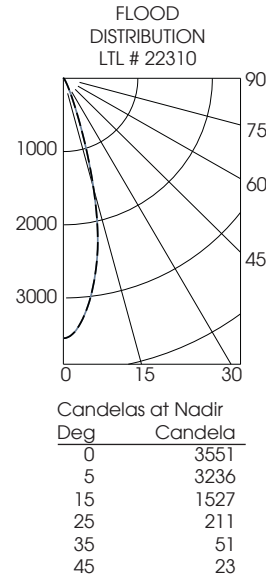
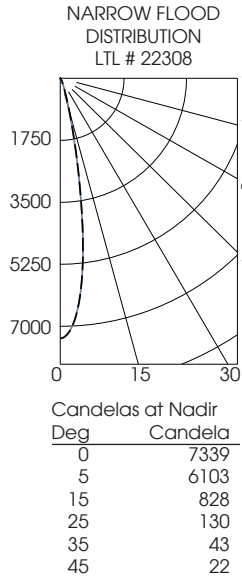
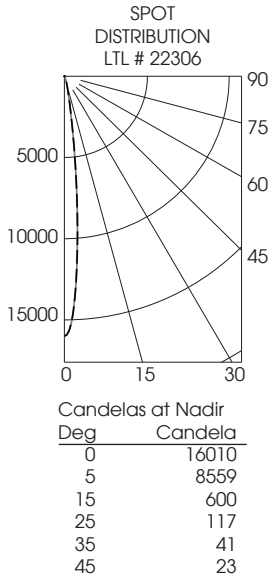
TYPE:



**FIXTURE DATA:**

Complete photometric data (ies format) available upon request.

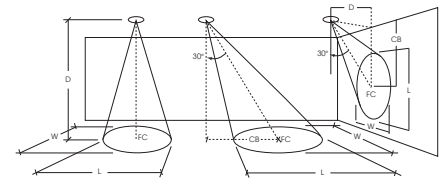
**17W LED CLUSTER**



**APPLICATION DATA:**

**Notes and Definitions:**

Beam spread is to 50% center beam candlepower (CBCP).  
 D=Distance to floor or wall.  
 FC=Footcandles on floor or wall at center beam aiming location.  
 L=Effective Visual Beam length in feet (50% of maximum footcandle level).  
 W=Effective Visual Beam width in feet (50% of maximum footcandle level).  
 CB=Distance across or down to center beam location.



	0° Aiming Angle Horizontal Footcandles				30° Aiming Angle Horizontal Footcandles					30° Aiming Angle Vertical Footcandles					60° Aiming Angle Vertical Footcandles				
	D	FC	L	W	D	FC	L	W	CB	D	FC	L	W	CB	D	FC	L	W	CB
SPOT	5.0'	640	1.1	1.1	5.0'	395	1.3	1.1	3.0	3.0'	238	2.0	1.1	4.8	3.0'	1143	0.7	0.6	1.7
	7.5'	285	1.3	1.3	7.5'	179	1.9	1.5	4.0	4.0'	132	2.7	1.5	6.3	4.0'	656	0.9	0.8	2.3
	10.0'	160	1.8	1.8	10.0'	99	2.5	2.2	6.0	5.0'	86	3.3	1.8	8.3	5.0'	417	1.2	1.0	2.8
	12.5'	103	2.4	2.4	12.5'	67	3.1	2.8	7.0	6.0'	60	4.0	2.1	9.8	6.0'	287	1.5	1.3	3.2
NARROW FLOOD	5.0'	294	1.4	1.4	5.0'	184	2.1	1.6	3.0	3.0'	128	2.7	1.6	4.3	3.0'	525	1.3	1.1	1.8
	7.5'	131	2.4	2.4	7.5'	87	3.0	2.7	4.0	4.0'	72	3.6	2.2	5.8	4.0'	303	1.6	1.4	2.2
	10.0'	73	3.1	3.1	10.0'	48	4.0	3.4	5.0	5.0'	46	4.5	2.6	7.3	5.0'	196	1.9	1.7	2.8
	12.5'	47	3.8	3.8	12.5'	31	4.9	4.4	7.0	6.0'	32	5.4	3.2	8.8	6.0'	137	2.3	2.0	3.2
FLOOD	5.0'	142	2.4	2.4	5.0'	91	3.0	2.7	2.0	3.0'	75	3.2	2.3	3.8	3.0'	257	1.8	1.6	1.3
	7.5'	63	3.5	3.5	7.5'	43	4.4	4.0	4.0	4.0'	42	4.2	3.1	4.7	4.0'	148	2.3	2.2	1.8
	10.0'	36	4.7	4.7	10.0'	24	5.7	5.2	5.0	5.0'	27	5.2	3.8	5.7	5.0'	96	2.9	2.6	2.2
	12.5'	23	5.9	5.9	12.5'	16	7.2	6.6	6.0	6.0'	19	6.2	4.6	7.3	6.0'	67	3.5	3.2	2.8