

ASPECT VERTICAL ED-17 METAL HALIDE

ASPV
ED-17 MH

APPLICATION:

Retail and commercial accent and display lighting

CONSTRUCTION:

Die-cast aluminum lamp housing with no exposed hardware
Extruded aluminum ballast housing
Screw on/off lens cartridge holds up to 3 forms of media
Powder coat paint

OPTICS:

High performance faceted and peened specular aluminum reflector
Specially designed for ED-17 lamps in wide choice of beam spreads
90° tilt, 358° rotation
Vertical aiming angle indicator
Locking vertical adjustment

MOUNTING:

Available for track, canopy or busway

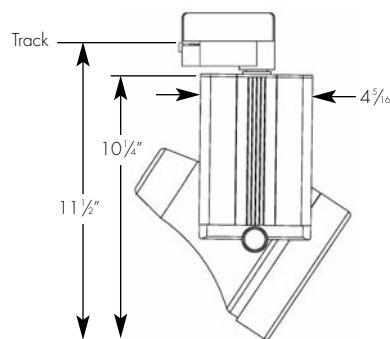
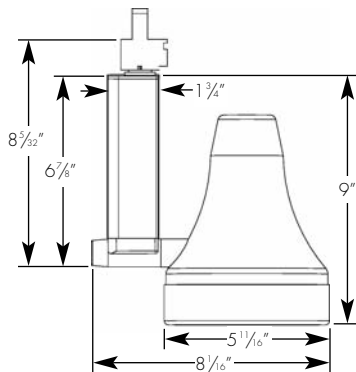
LABELING:

cUL listed



PROJECT:

TYPE:



ELECTRICAL

Lamping

Ballast	Voltage	70w		100w	
		Input watts	Amps*	Input watts	Amps*
Electronic	120v	79	.67	110	.90
	277v	79	.29	110	.41

*Data is for open circuit current

ED-17 medium base metal halide, 70w and 100w

Amerlux reserves the right to change details that do not affect overall function and performance.

Aspect is also available for use with PAR38 CMH lamps. See specific Aspect specification sheets for details.



AMERLUX
LIGHTING SOLUTIONS

ADAPT. ABILITY.™

ORDERING INFORMATION:

Model	Wattage	Lamp Type	Ballast	Finish	Mounting	Voltage	Beam Spreads	Options/Accessories
ASPV	70 100	17 - ED-17	E - electronic	WT - white textured BT - black textured ST - silver textured — * — (other RAL)	TN1 - Global 1cir 120v TEK - Global 2cir/2neut 120v TN3 - Global 3cir 120v TN2 - Global 2cir/2neut 277v C - canopy B - busway CCL - C-clamp — * — (other)	120 277	CL - spot NF - narrow flood FL - flood WF - wide flood SL - linear spread lens	GOLD - ferric gold optic reflector HEX - hexcell louver (1/8" x 1/8") SN - snoot, 1" length (specify finish)

Example: ASPV-70-17-E-W-TN3-120-FL

Cat #:

ASPECT VERTICAL ED-17 METAL HALIDE

ASP V
ED-17 MH



TYPE :

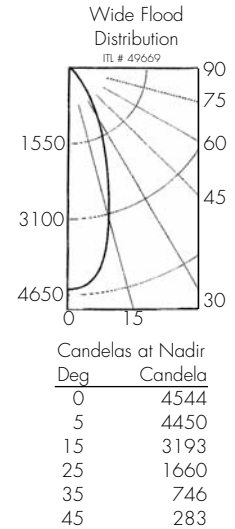
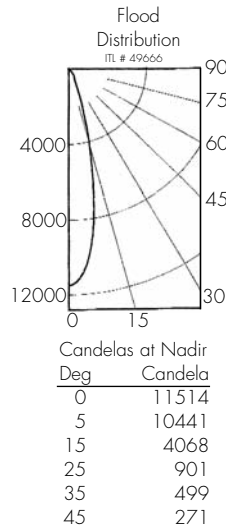
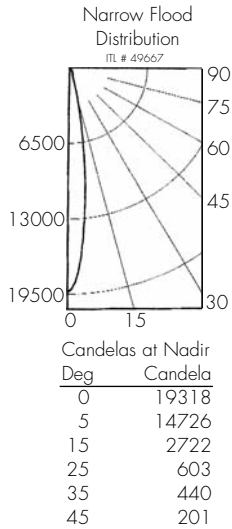
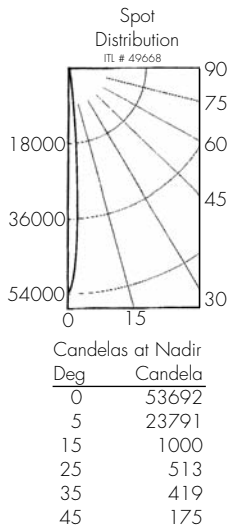


FIXTURE DATA:

For 100w data, multiply by 1.5

Complete photometric data (.ies format) available upon request.

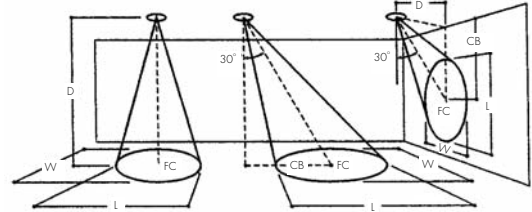
70W ED-17 MH



APPLICATION DATA:

Notes and Definitions:

Beam spread is to 50% center beam candlepower (CBCP).
 D=Distance to floor or wall.
 FC=Footcandles on floor or wall at center beam aiming location.
 L=Effective Visual Beam length in feet (50% of maximum footcandle level).
 W=Effective Visual Beam width in feet (50% of maximum footcandle level).
 CB=Distance across or down to center beam location.



0° Aiming Angle
Horizontal
Footcandles



30° Aiming Angle
Horizontal
Footcandles



30° Aiming Angle
Vertical
Footcandles



60° Aiming Angle
Vertical
Footcandles

	0° Aiming Angle					30° Aiming Angle					30° Aiming Angle					60° Aiming Angle				
	D	FC	L	W	CB	D	FC	L	W	CB	D	FC	L	W	CB	D	FC	L	W	CB
SPOT	5.0'	2147	1.0	1.0	3.0	5.0'	1311	1.1	1.0	3.0	3.0'	776	1.9	1.0	4.7	3.0'	3823	0.6	0.5	1.8
	7.5'	954	1.2	1.2	4.0	7.5'	585	1.8	1.3	4.0	4.0'	436	2.5	1.3	6.8	4.0'	2183	0.8	0.7	2.3
	10.0'	536	1.5	1.5	6.0	10.0'	327	2.3	1.9	6.0	5.0'	284	3.0	1.6	8.3	5.0'	1377	1.1	0.9	2.8
	12.5'	343	2.0	2.0	7.0	12.5'	223	2.8	1.8	7.0	6.0'	198	3.6	1.9	9.7	6.0'	945	1.3	1.1	3.3
NARROW FLOOD	5.0'	772	1.4	1.4	3.0	5.0'	480	2.1	1.6	3.0	3.0'	308	2.9	1.6	4.8	3.0'	1378	1.2	1.0	1.7
	7.5'	343	2.2	2.2	4.0	7.5'	226	2.9	2.5	4.0	4.0'	175	3.8	2.2	6.3	4.0'	792	1.5	1.4	2.3
	10.0'	198	2.9	2.9	5.0	10.0'	121	4.0	3.4	5.0	5.0'	112	4.8	2.7	7.8	5.0'	509	1.9	1.7	2.7
	12.5'	123	3.7	3.7	7.0	12.5'	81	4.8	4.2	7.0	6.0'	79	5.7	3.2	9.3	6.0'	354	2.3	2.0	3.3
FLOOD	5.0'	460	2.2	2.2	3.0	5.0'	289	2.9	2.6	3.0	3.0'	228	3.3	2.1	3.8	3.0'	823	1.7	1.5	1.8
	7.5'	204	3.2	3.2	4.0	7.5'	138	4.0	3.6	4.0	4.0'	129	4.3	2.8	5.2	4.0'	475	2.2	1.9	2.3
	10.0'	115	4.2	4.2	5.0	10.0'	79	5.3	4.7	5.0	5.0'	82	5.4	3.5	6.2	5.0'	307	2.7	2.4	2.8
	12.5'	74	5.3	5.3	6.0	12.5'	50	6.6	5.9	6.0	6.0'	58	6.4	4.2	7.8	6.0'	215	3.2	2.9	3.3
WIDE FLOOD	5.0'	181	3.4	3.4	2.0	5.0'	135	3.9	3.5	2.0	3.0'	125	3.8	2.8	3.3	3.0'	376	2.3	2.1	1.3
	7.5'	81	5.0	5.0	3.0	7.5'	60	5.8	5.2	3.0	4.0'	71	5.1	3.8	4.2	4.0'	210	3.1	2.8	1.8
	10.0'	45	6.6	6.6	4.0	10.0'	34	7.7	7.0	4.0	5.0'	45	6.3	4.7	5.3	5.0'	133	3.9	3.6	2.2
	12.5'	29	8.1	8.1	5.0	12.5'	22	9.6	8.8	5.0	6.0'	31	7.6	5.6	6.3	6.0'	94	4.6	4.2	2.3