

### ASSEMBLY AND INSTALLATION

**WARNING:** Disconnect main power at the source prior to installation! *Only qualified electricians should install Alcon Lighting products. Ensure the unit has input, output voltage, and output wattage proper for your application.*

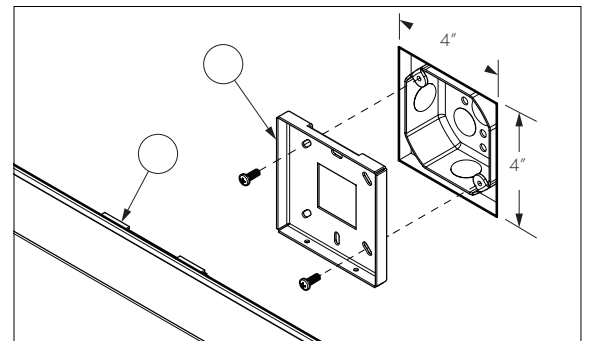
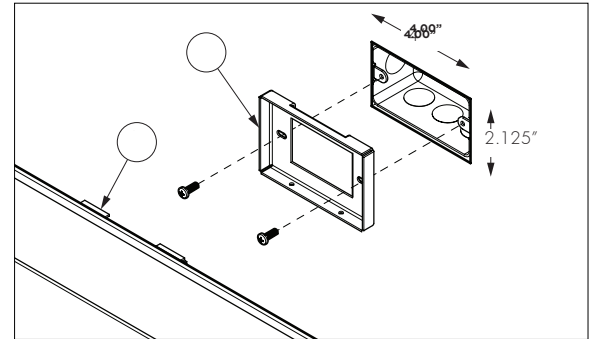
- Recommended that mounting point be positioned within 12 inches of end cap for support
- Make sure path of bracket locations are free of obstacles

**A** - Install Bracket #1 with screws provided.

**B** - Feed power wires and ground appropriately.

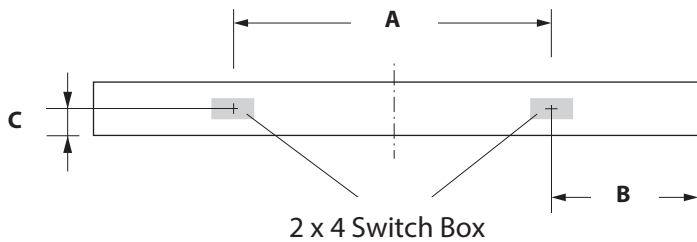
**C** - Hook in Bracket #2 which arrives pre-installed.

**D** - Screw in additional screws at bottom of bracket if desired.

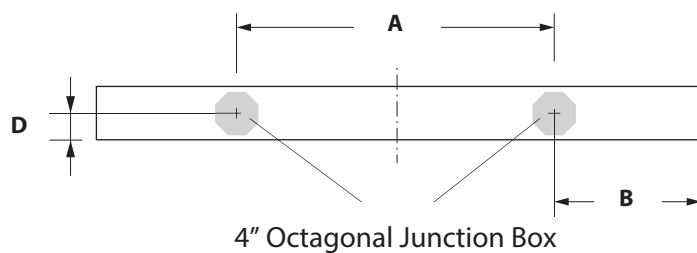


	2 ft	3 ft	4 ft	6 ft	8 ft
A	16.00" 406.4mm	16.00" 406.4mm	32.00" 812.8mm	32.00" 812.8mm	64.00" 1625.6mm
B	4.00" 101.6mm	10.00" 254.0mm	8.00" 203.2mm	20.00" 508.0mm	16.00" 406.4mm
C	2.50" 63.5mm	2.50" 63.5mm	2.50" 63.5mm	2.50" 63.5mm	2.50" 63.5mm
D	3.10" 78.74mm	3.10" 78.74mm	3.10" 78.74mm	3.10" 78.74mm	3.10" 78.74mm

### VECTOR 1



### VECTOR 2



### VECTOR 3

