

FEATURES & SPECIFICATIONS

INTENDED USE

The **Alcon Lighting Beam i66 Series Architectural LED Recessed Linear Lighting** fixtures bring clean lines and clear light to commercial LED or residential office lighting interiors. Our sleek, stylish fixtures offer highly effective and efficient lighting solutions for hotels, offices, retail outlets, restaurants, and more.

DETAILS

8 FT - W 6" x L 96" x H 6"

Construction: Die-formed and welded 20 gauge cold rolled steel

Lens: Snap In Frosted Acrylic

ADDITIONAL FEATURES

Type: Direct Downlight

Voltage: 120-277

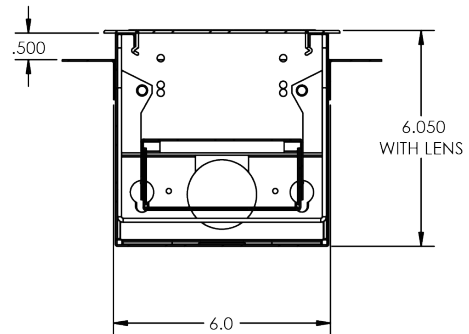
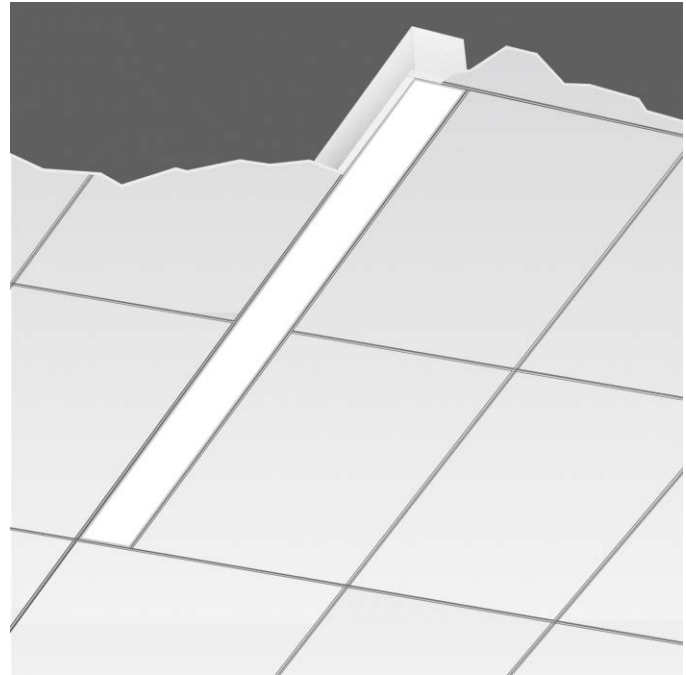
Wattage: 72W (4x18W)

Lumens: 8400 lms

CRI: 83

Life: 50,000 Hours

Listings: ETL and DLC for LED component only
LED lamp included



Ordering Information:

Example: (14103-8-R-35K-2W-EM)

Model	Color Temp	Flange Finish ¹	Dimming	Options
<input type="text"/>	<input type="text"/>	<input type="text"/>	<input type="text"/>	<input type="text"/>
14103-8-R¹ Trimless T-Bar Grid Ceiling	35K 3500K 40K 4000K	<i>(Required for RF only)</i> WH White BK Black SL Silver	Blank Non-Dimming (Standard) 2W 2-Wire Incandescent Dimming (120V only) (Title 24 Compliant)	EM² Emergency Backup Battery CRWK Continuous Row Wiring Kit DS² Integrated Daylight Sensor
14103-8-RR¹ Trimless Drywall Hard Ceiling	50K 5000K			
14103-8-DB Flanged Drywall Hard Ceiling				

¹Trimless mounting options do not require finish
²Factory Installed