

FEATURES & SPECIFICATIONS

INTENDED USE

The **Alcon Lighting i253 Series Architectural LED Downlight Linear Lighting** fixtures bring clean lines and clear light to commercial LED or residential office lighting interiors. Our sleek, stylish fixtures offer highly effective and efficient lighting solutions for hotels, offices, retail outlets, restaurants, and more.

DETAILS

4 FT - W 2.375" x L 48" x H 3.35"

Construction: Die-formed and welded 22-gauge cold rolled steel

Lens: E' Sb ; 8æfW 3Uk [U

ADDITIONAL FEATURES

Type: Direct Downlight

Voltage: 120-277

Wattage: 18W (1x18W)

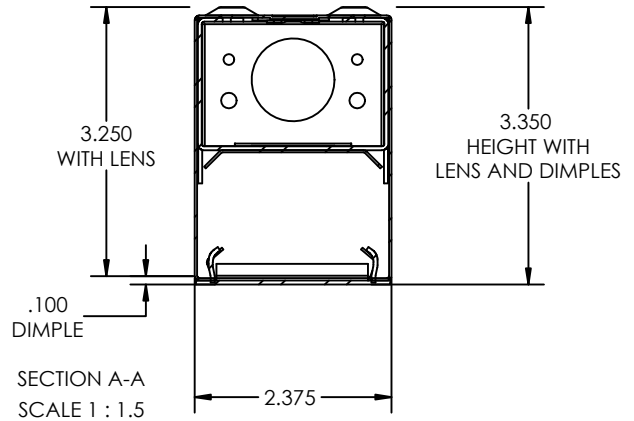
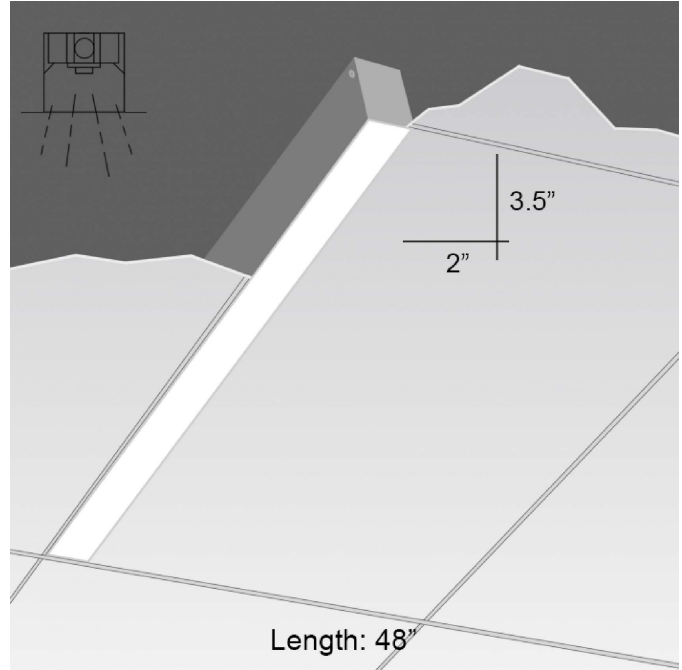
Lumens: 2100 lms

CRI: *%

Life: 50,000 Hours

Listings: ETL Listed and DLC for LED component only

>76 S_ b [UygVW



Ordering Information:

Example: (14104-4-RF-40K-WH)

Model	Color Temp	Flange Finish ¹	Dimming	Options
14104-4-RR¹ Trimless Drywall Hard Ceiling	35K 3500K 40K 4000K 50K 5000K	(Required for RF only) WH White BK Black SL Silver	Blank Non-Dimming (Standard) 2W² 2-Wire Incandescent Dimming 5W² 5-Wire 0-10V Dimming	EM Remote Emergency Backup Battery CRWK Continuous Row Wire Kit

¹Trimless mounting options do not require finish

²120V only / Title 24 Compliant