



SHOP NOW >

FEATURES & SPECIFICATIONS

INTENDED USE

The **i253 Series Architectural Linear LED Suspension Lighting** fixtures bring clean lines and clear light to commercial LED or residential office lighting interiors. Our sleek, stylish fixtures offer highly effective and efficient lighting solutions for hotels, offices, retail outlets, restaurants, and more.

DETAILS

4 FT - W 2.375" x L 48" x H 3.35"

Construction: Die-formed and welded 22-gauge cold rolled steel

Mounting: 48" Aircraft cable, 3 Wire Power feed/cable, White canopy included

Lens: Snap In Frosted Acrylic

ADDITIONAL FEATURES

Voltage: 120-277V

Wattage: 18W (1x18W)

Lumens: 2100 lms

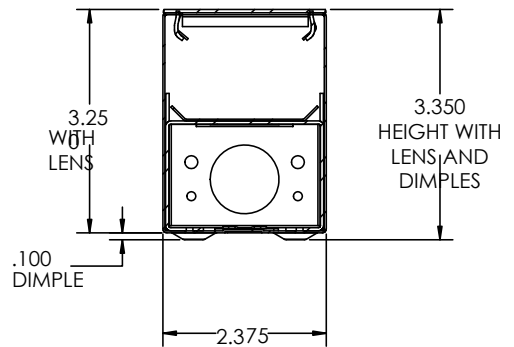
CRI: 83

Life: 50,000 Hours

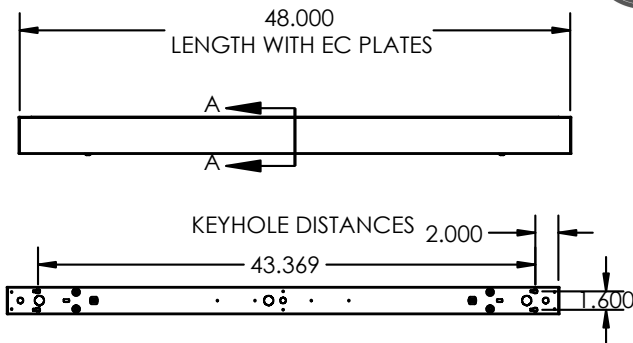
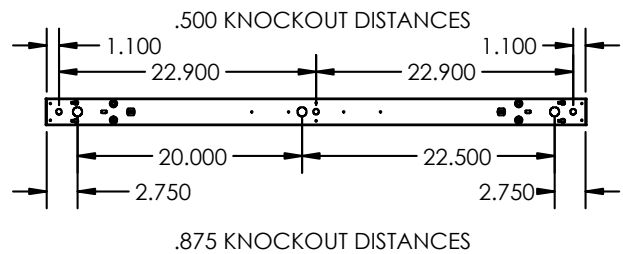
Listings: ETL and DLC for LED component only LED lamp included

EM: Supplied with 12" Lead Wire

Please consult with factory for longer application



BOTTOM VIEW



Ordering Information:

Example: (12145-4-40K-WH-2W-EM)

Model	Color Temp	Finish	Dimming	Options
<input type="text" value="12145-4"/>	<input type="text" value="35K"/>	<input type="text" value="WH"/>	<input type="text" value="Blank"/>	<input type="text" value="EM"/>
i253 Series	3500K 4000K 5000K	White Black Silver Iron Bronze	Non-Dimming (Standard) 2-Wire Incandescent Dimming 5-Wire 0-10V Dimming	Remote Emergency Backup Battery Continuous Row Wire Kit
	40K	BK	2W¹	CRWK
	50K	SL	5W¹	
		IR		
		BR		

¹ 120V only / Title 24 Compliant