

FEATURES & SPECIFICATIONS

INTENDED USE

The **Alcon Lighting i253 Series Architectural LED Surface Mount Linear Lighting** fixtures bring clean lines and clear light to commercial LED or residential office lighting interiors. Our sleek, stylish fixtures offer highly effective and efficient lighting solutions for hotels, offices, retail outlets, restaurants, and more.

DETAILS

8 FT - W 2.375" x L 96" x H 3.55"

Construction: Die-formed and welded 22-gauge cold rolled steel

Lens: Snap In Frosted Acrylic

ADDITIONAL FEATURES

Type: Direct Downlight

Voltage: 120-277

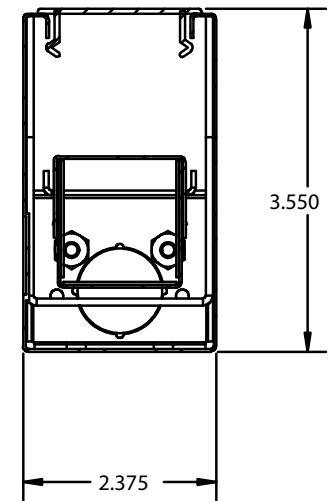
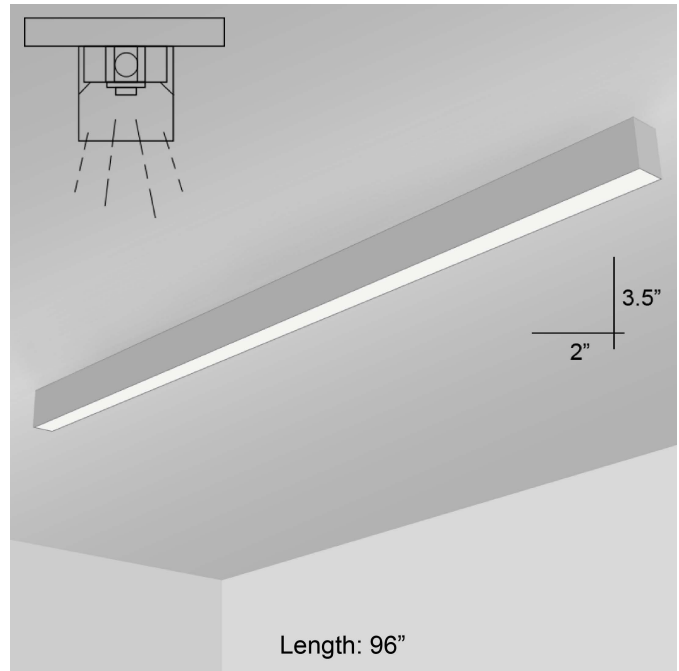
Wattage: 36W (2x18W)

Lumens: 4200 lms

CRI: 83

Life: 50,000 Hours

Listings: ETL Listed and DLC for LED component only
LED lamp included



Ordering Information:

Example: (11137-8-S-40K-WH-2W-EM)

| Model | Color Temp | Finish | Dimming | Options |
|-----------------------------|--|--|--|--|
| <input type="text"/> | <input type="text"/> | <input type="text"/> | <input type="text"/> | <input type="text"/> |
| 11137-8-S Surface | 35K 3500K 40K 4000K 50K 5000K | WH White BK Black SL Silver BR Bronze IR Iron | Blank Non-Dimming (Standard) 2W¹ 2-Wire Incandescent Dimming 5W¹ 5-Wire 0-10V Dimming | CRWK Continuous Row Wire Kit EM Remote Emergency Backup Battery |

¹ 120V only / Title 24 Compliant