

FIXTURE SPECIFICATIONS

INTENDED USE

The specification grade **Alcon Lighting i253 Series Architectural LED Linear Surface Direct Light Fixture** delivers continuous clean lines and clear light to commercial, hospitality and residential interior lighting applications. Our modern, slim profiles and stylish linear designs offer excellent direct down lighting, exceptional performance and versatility in offices, classrooms, conference rooms, museums, retail outlets, hotels, restaurants, and more.

AVAILABLE LENGTHS

2FT | W 2.375" x L 24" x H 3.35"

4FT | W 2.375" x L 48" x H 3.35"

8FT | W 2.375" x L 96" x H 3.35"

Custom Length | Consult Factory

FEATURES

Construction: Die-formed and welded 22-gauge cold rolled steel

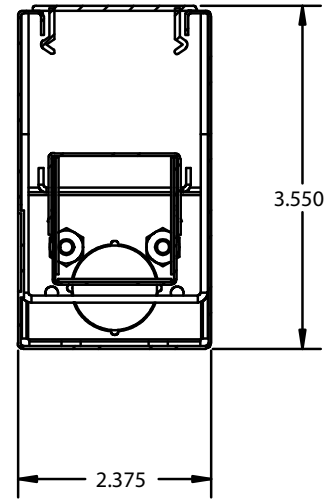
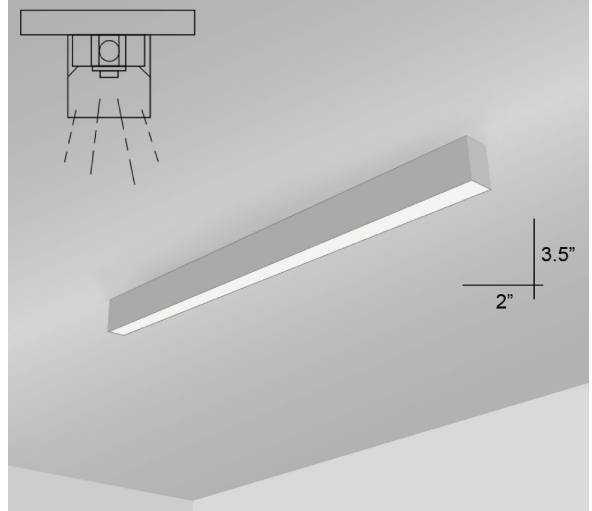
Lens: Snap In Frosted Acrylic

Dimming Driver: 0-10V (100-10%) 120-277V 5-Wire or Incandescent 120V 2-Wire

CRI: 83

Life: 50,000 Hours

Listings: cETLus Listed, Title 24 Listed



ORDERING INFORMATION Example: (11137-S-2-35K-D10-CRWK)

Model	Length Wattage Lumens	Color Temp	Dimming Driver	Options
11137-S i253 Surface	2 2 Foot 15 Watts 1700 Lumens	35K 3500K	D10 120-277V 5-Wire 0-10V (100% -10%)	CRWK Continuous Row Wire Kit
	4 4 Foot 18 Watts 2100 Lumens	40K 4000K		
	8 8 Foot 36 Watts 4200 Lumens	50K 5000K	INC 120V 2-Wire Incandescent (100%-1%)	EM Emergency Backup Battery DS Integrated Daylight Sensor