

FIXTURE SPECIFICATIONS

INTENDED USE

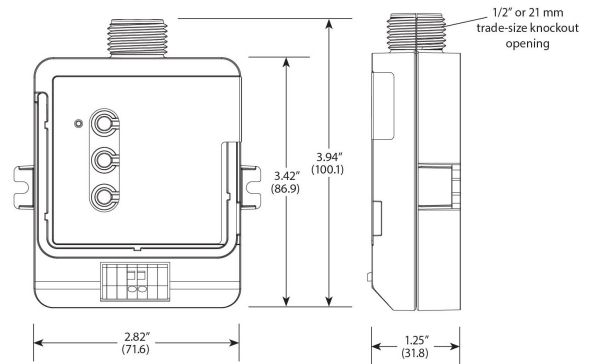
WDP 2100 Dimming Module with 0-10V Control is a radio frequency (RF) control that operates 0-10V controlled fluorescent ballasts or LED drivers based on input from wireless controls and sensors. The Dimming Module with 0-10V Control is ideal for small areas such as classrooms, conference rooms, private offices.

DIMENSIONS

Dimming Module: 2.82" W x 3.94" H x 1.25" D
Wall Plate: 2.94" W x 4.69" H x 0.30" D

ADDITIONAL FEATURES

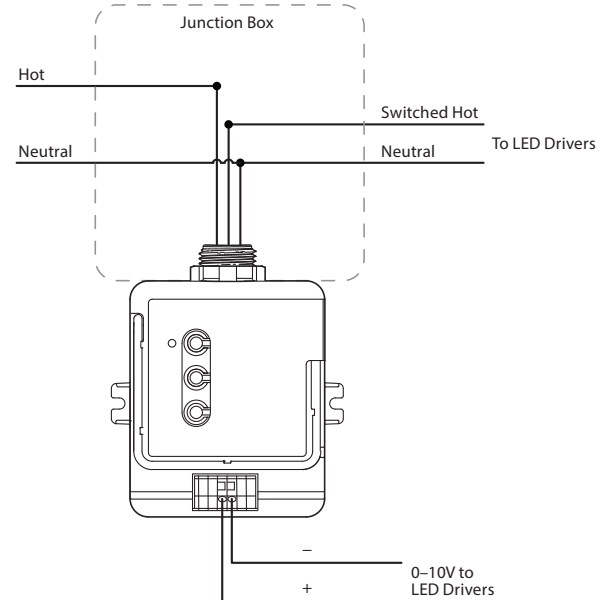
- Controls 0-10V controlled fixtures together
- Switches up to 8 A total
- 0-10V control link automatically sources or sinks to the third party fixtures
- Configurable high- and low-end trim
- 120V-277V
- Dimming Module input from up to (9) wireless controls, (6) Radio occupancy/vacancy sensors, and (1) daylight sensor
- Battery powered. Requires no wiring.
- 10 year battery life. (1) CR2032 battery included.



ORDERING INFORMATION: Example: (2100-WH)

Model	Finish
2100	WH White
	BL Black
	IV Ivory
	LA Light Almond

Wiring Guide



WDP 2100 0-10V Wireless 5 Wire to 3 Wire LED Dimming Pack