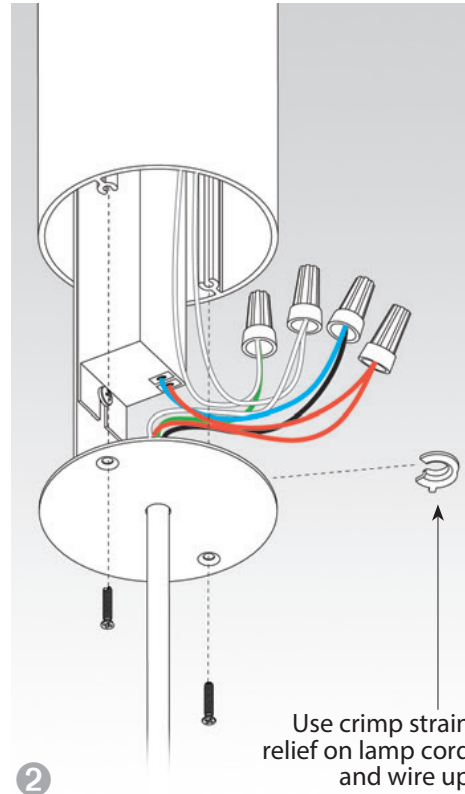
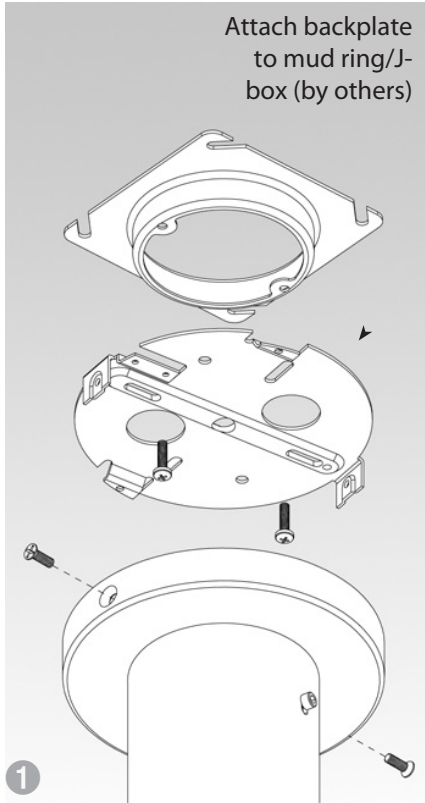


ASSEMBLY AND INSTALLATION

WARNING: Disconnect main power at the source prior to installation! Only qualified electricians should install Alcon Lighting products. Ensure the unit has input, output voltage, and output wattage proper for your application.



WIRING

With downlight*:

- Black = Hot
- White = Neutral
- Red = DL** Hot
- Green = Ground
- Purple = DMX+
- Gray = DMX-
- Orange = DMX ground

*Use 12V LED MR16 only, 9W maximum

**DL=Downlight

Max. Wiring Distance (at full load)

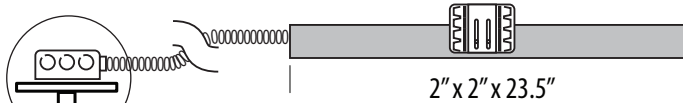
Wire Size (AWG)	Distance (ft.)
18	18
16	29
14	46
12	71
10	120

SECONDARY SIDE, RGB ONLY

With downlight*:

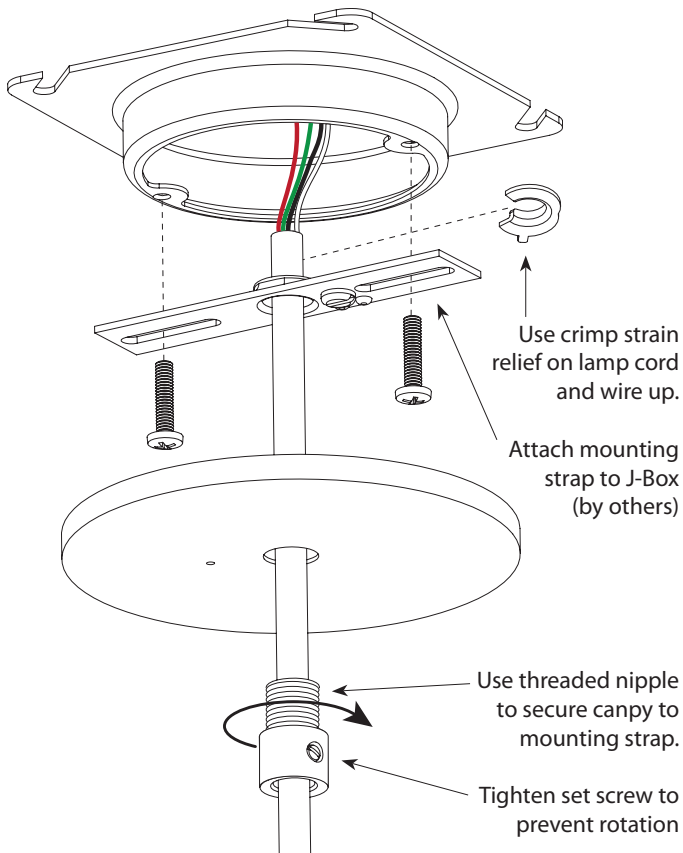
- | Cord | Driver |
|----------|--------|
| Red = | Red |
| Black = | Black |
| White = | White |
| Green = | Green |
| Purple = | Purple |
| Gray = | Gray |
| Orange = | N/A |

NOTE: multiple drivers must be mounted no less than 4 inches apart side-by-side, and 1 inch apart end-to-end, to avoid overheating.



2" x 2" x 23.5"

Install driver enclosure maximum 18 ft. from fixture; must remain accessible.



Use crimp strain relief on lamp cord and wire up.

Attach mounting strap to J-Box (by others)

Use threaded nipple to secure canopy to mounting strap.

Tighten set screw to prevent rotation

WIRING

PRIMARY SIDE, DMX ONLY

With downlight*:

- Black = Hot
- White = Neutral
- Red = DL** Hot
- Green = Ground
- Purple = DMX+
- Gray = DMX-
- Orange = DMX ground

With downlight*:

- | Cord | Driver |
|-------------|---------------|
| Red = | Red |
| Black = | Black |
| White = | White |
| Green = | Green |
| Purple = | Purple |
| Gray = | Gray |
| Orange = | N/A |

Max. Wiring Distance (at full load)

Wire Size (AWG)	Distance (ft.)
18	18
16	29
14	46
12	71
10	120

NOTE: multiple drivers must be mounted no less than 4 inches apart side-by-side, and 1 inch apart end-to-end, to avoid overheating.