

FEATURES & SPECIFICATIONS

INTENDED USE

The specification grade decorative Architectural LED Ring Light delivers continuous clean lines and clear circle light to commercial, hospitality and residential interior lighting applications. Our modern, slim profiles and stylish hanging lights designs offer excellent direct lighting, indirect lighting, exceptional performance and versatility in offices, classrooms, conference rooms, museums, retail outlets, hotels, restaurants, and more. The ring light ring chandelier is available in multiple lengths and several finishes.

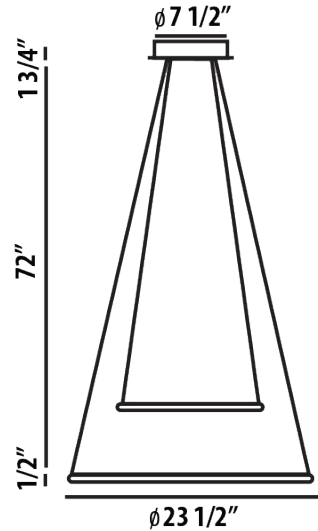
DETAILS

Model Number: 12238
D 23.5" (59.96cm) x **H** 0.5" (1.27cm)
Weight: 4.93 lbs
Finish: Chrome

ADDITIONAL FEATURES

Type: Suspended, Pendant
Voltage: 120V
Wattage: 15W
Lumens: 2775lm
Light Color Temp: 3000K
CRI: 80+
Dimming: ELV Dimming
Shade: Chrome
Support: 72" Adjustable Aircraft Cable
 Bulb included

LISTINGS



Ordering Information:

Example: (12238)

Model

12238 Skinny Cirkel
 (Two-Tier, Medium)