

Project Name:

Type:

Quantity:

FIXTURE SPECIFICATIONS

INTENDED USE

Get low-profile gasket enclosure lighting that's made in America for wet locations — in either exterior or interior spaces — with this linear LED ceiling garage canopy light. Use this light for the garage, commercial kitchen or warehouse. Mounting options include stem, chain, swivel-stem and surface. Available in 2-ft, 4-ft and 8-ft standard lengths with IP65 and IP67 ratings.

FEATURES

Construction:

Fully gasket fiberglass upper body with cold-rolled steel white finish reflector.

Mounting: Surface mount bracket mounting included. Stem, chain, swivel stem and 45 degree surface mounting optional.

CRI: 80+

Input Voltage: 120/277V, 50/60Hz

Ambient Operating Temperature: -22°F (-30°C) ~ 122°F (50°C)

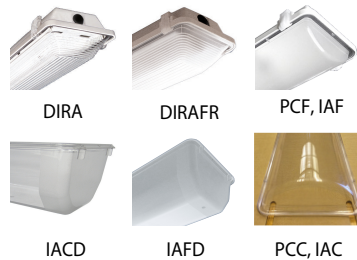
Listings:

cULus, CSA, IP65 and IP67, NSF International certified, ARRA compliant, Suitable for damp / wet location, Made in the USA

Warranty: 5 Years Carefree for Parts & Components (Labor Not Included)



Lens Types:



Alcon Remy 11173 Linear Low-Profile Vapor-tite Wet-location LED Light

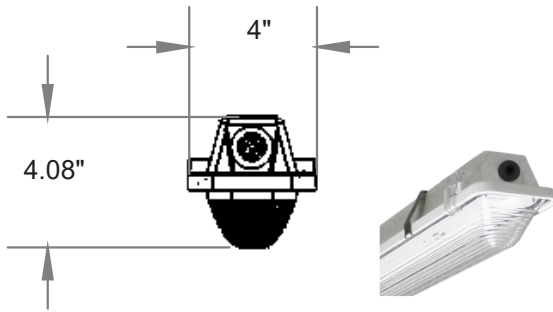
ORDERING INFORMATION Example: (11173-218-27K-AL-010-N)

Model	Length Wattage Lumens	Color Temp	Lens	LED Driver	Distribution	Options
11173	218 2' 18W 2272lm	27K 2700K	DIRA Impact resistant Acrylic, Linear Ribbed Clear Lens	010 Standard 0-10V 10% Dimming	N Normal	EM8 8W EM Battery Backup
	220 2' 20W 2460lm	30K 3000K	DIRAFR Impact resistant Acrylic, Linear Ribbed Frosted Lens	LDE5 Ecosystem 5-Series 5%	W¹ Wide	EM15 15W EM Battery Backup
	227 2' 27W 3215lm	35K 3500K	PCC Polycarbonate smooth clear lens	LDE1 Ecosystem Hi-Lume 1%		EM20 20W EM Battery Backup
	236 2' 36W 3969lm	40K 4000K	PCF Polycarbonate smooth frosted lens	ES566 eldoLED 0-10V SOLOdrive		SSL Stainless Steel Latch
	436 4' 36W 3969lm	50K 5000K	IAC Impact resistant acrylic, smooth clear lens	BLS Bi-Level Step 40/100%		WLOS Wet Location Occupancy Sensor
	445 4' 45W 4723lm		IAF Impact resistant acrylic, smooth frosted lens	BLS^{xxx} Bi-Level Step ^{xxx} /100%		WLDL Wet Location Daylight Motion Sensor
	456 4' 56W 5854lm			TLS Tri-Level Step 30/70/100%		
	472 4' 72W 7363lm			TLS^{xxxx} Tri-Level Step ^{xxxx} /100%		
	872 8' 72W 7363lm					
	888 8' 88W 8871lm					
8112 8' 112W 11134lm						

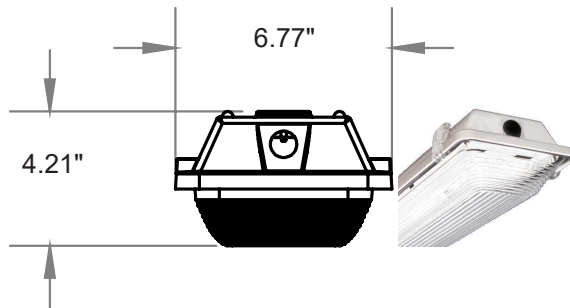
¹ Wide Distribution only available for 2 and 4 foot lengths and for IACD and IAFD Lenses.

DIMENSIONS

Normal Distribution Linear Ribbed Clear Lens

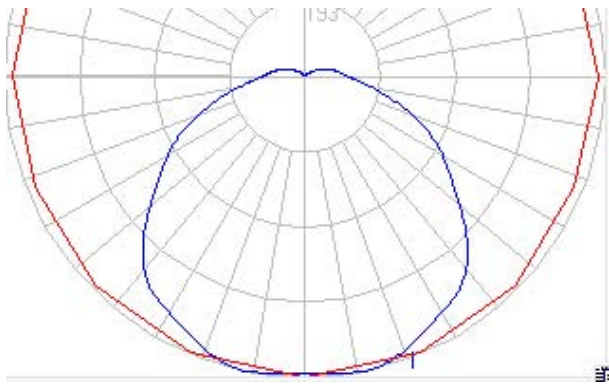


Wide Distribution Linear Ribbed Clear Lens

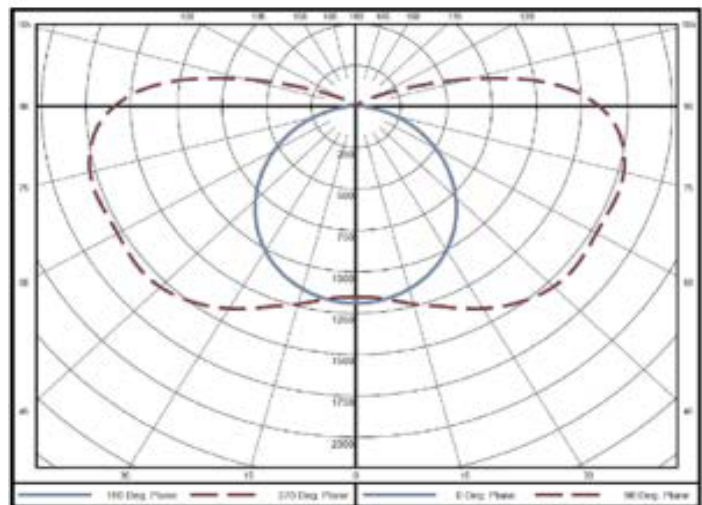


LIGHT DISTRIBUTION

Normal Distribution



Wide Distribution



COMPATIBLE DIMMERS

Manufacturer	Dimmer SKUs
	NTSTV-DV NFTV DVTV DVSCTV DVSTV DVSCSTV QSGRJ-XP GRX-TVI 0-10V QSGRJ-XE QSGR-XE RMJ-5T
	IP710-LFZ
	SR1200ZTUNV
	ZBHA-CLM DIM
	EN-LCM-1R10V-GB2-BK EN-LCM-1R10V-GB2-BK/DR EN-ALC-1R10V-GB2-BK EN-ALC-1R10V-GB2-BK-DR
	ADF-120277 FD-301 FSP-202
	ISD BC
	SU-3E-00 (Enlighted Compact Sensor)