

# ALCON LIGHTING

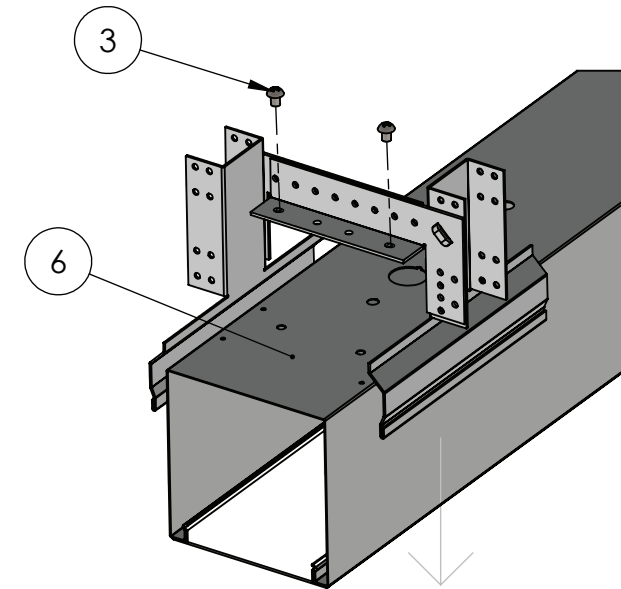
## Installation guide, Retrofit Yolk Assembly

2845 S. ROBERTSON BLVD., LOS ANGELES, CA 90034, USA (877) 733-5236

### Components

ITEM NO.	PART DESCRIPTION	QTY.
1	Acoustic Ceiling Beam	2
2	#8-18X3/8, Self Tapping, Machine Screw	12
3	#10-16X3/8, Self Tapping, Machine Screw	8
4	RET_YOLK_ARM	4
5	RET_YOLK_TOP	4
6	44/66_PAN	1

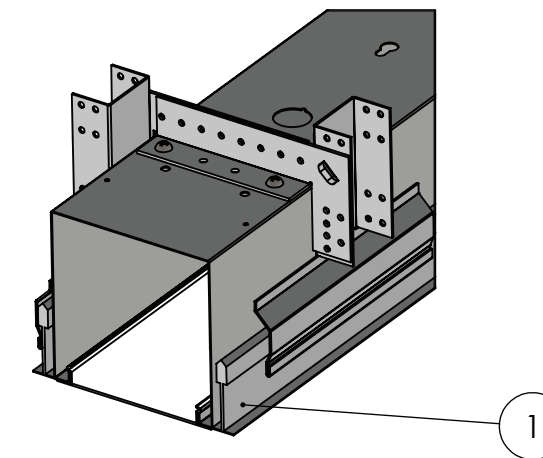
### Step 3



Anywhere along the length of the fixture, slip 2 assembled Retrofit Yolk Assemblies over the top of the fixture. (Note: it will be a snug fit)

Fasten by driving 4 self-tapping #10 screw through each the yolk holes indicated in the drawing and through the fixture sheet metal. Repeat for support assembly on opposite end of fixture.

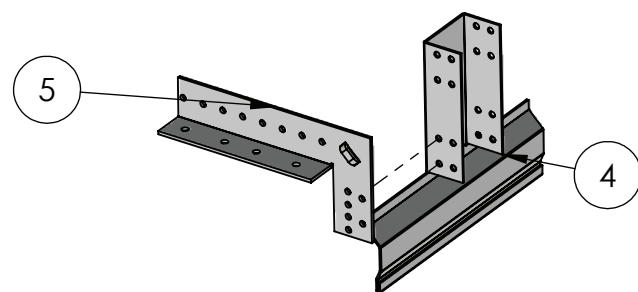
### Step 4



Use support cable to support fixture, by tying through any of the three holes on the top of the yolk.

Support Arms go around the outside of the ceiling rails for lateral support.

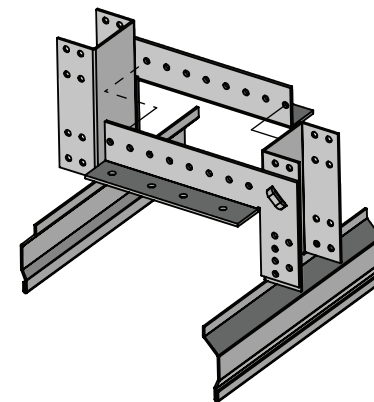
### Step 1



Secure yolk top to each yolk arm by driving 2 self-tapping #8 screws through holes indicated in drawing.

For fixtures that hang below the support beams, it may be necessary to use the, optional, higher holes on the yolk legs.

### Step 2



Secure the 2 yolk halves together driving 2 self-tapping #8 screws through holes indicated in drawing above. For a 44 fixture use the last available for the snugest fit.

PROPRIETARY AND CONFIDENTIAL THE INFORMATION CONTAINED IN THIS DRAWING IS THE SOLE PROPERTY OF ALCON LIGHTING. ANY REPRODUCTION IN PART OR AS A WHOLE WITHOUT THE WRITTEN PERMISSION OF ALCON LIGHTING IS PROHIBITED.	UNLESS OTHERWISE SPECIFIED:	NAME	DATE	TITLE:  SIZE <b>B</b> DWG. NO. RET_YOLK_ASSY_INSTRUCTIONS REV SCALE: 1:12 WEIGHT: SHEET 1 OF 1
	DIMENSIONS ARE IN INCHES	DRAWN	S. CASKEY 6/23/2015	
	TOLERANCES:	CHECKED	J.BUTLER 6/23/2015	
	FRACTIONAL ± 1/32	ENG APPR.	J.BUTLER 6/23/2015	
	ANGULAR: ± 1	MFG APPR.	J.BUTLER 6/23/2015	
TWO PLACE DECIMAL ±.020	Q.A.	J.BUTLER 6/23/2015	COMMENTS:	
THREE PLACE DECIMAL ±.010	MATERIAL			
	22G PRE-PAINTED CRS			
	FINISH			
	HIGH REFLECTIVE WHITE			
	DO NOT SCALE DRAWING			