

**FIXTURE SPECIFICATIONS**

**INTENDED USE**

The Oasis 13116 LED Museum Track Light Fixture is the best lighting option for Art Gallery applications. This LED Museum track lighting fixture provides high C.R.I (color rendering index) to display art more accurately which makes it an ideal fixture for retail lighting applications and art galleries.

**PRODUCT FAMILY**

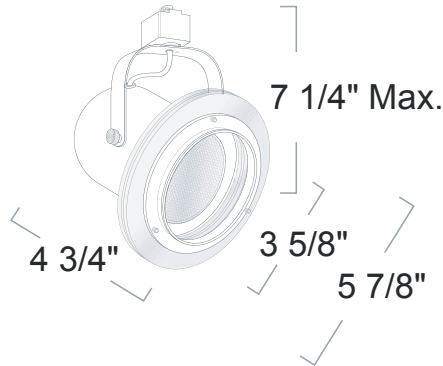
- 13000-TC Track Channel
- 13000-LC Linear Connector
- 13000-OA Outlet Adapter
- 13000-SC Slope Ceiling Track Adapter
- 13000-TB T-Bar End Feed
- 13000-FC Floating Canopy Connector
- 13000-EC End Cap
- 13000-LC Live End with Canopy
- 13000-LE Live End
- 13000-L L-Connector
- 13000-T T-Connector
- 13000-X X-Connector
- 13000-MC Mini Connector
- 13000-CP Cord and Plug Connector
- 13000-PA Pendant Adapter
- 13000-CC Conduit Connector
- 13000-CK Conduit Continuation Kit

**ADDITIONAL FEATURES**

- 3-Wire H-Type track connections comes standard
- Installation on single-circuit universal tracks ready
- Steel yoke with dual plastic tightening knobs
- Adjustable lamp tilt: 90° degrees vertically and rotated 358° degrees
- 120V

**LIGHT SOURCE**

- 10W LED 600 Lumens Delivered
- Color Rendering Index (CRI): 80
- 2700K Color Temperature
- Beam Angle 40°
- Lamp Equivalents: 50W R20/PAR20 MED E26



**ORDERING INFORMATION** Example: (13116-10F)

Model	Light Source
13116	10F 10 Watts   2700K   40°   600 Lumens