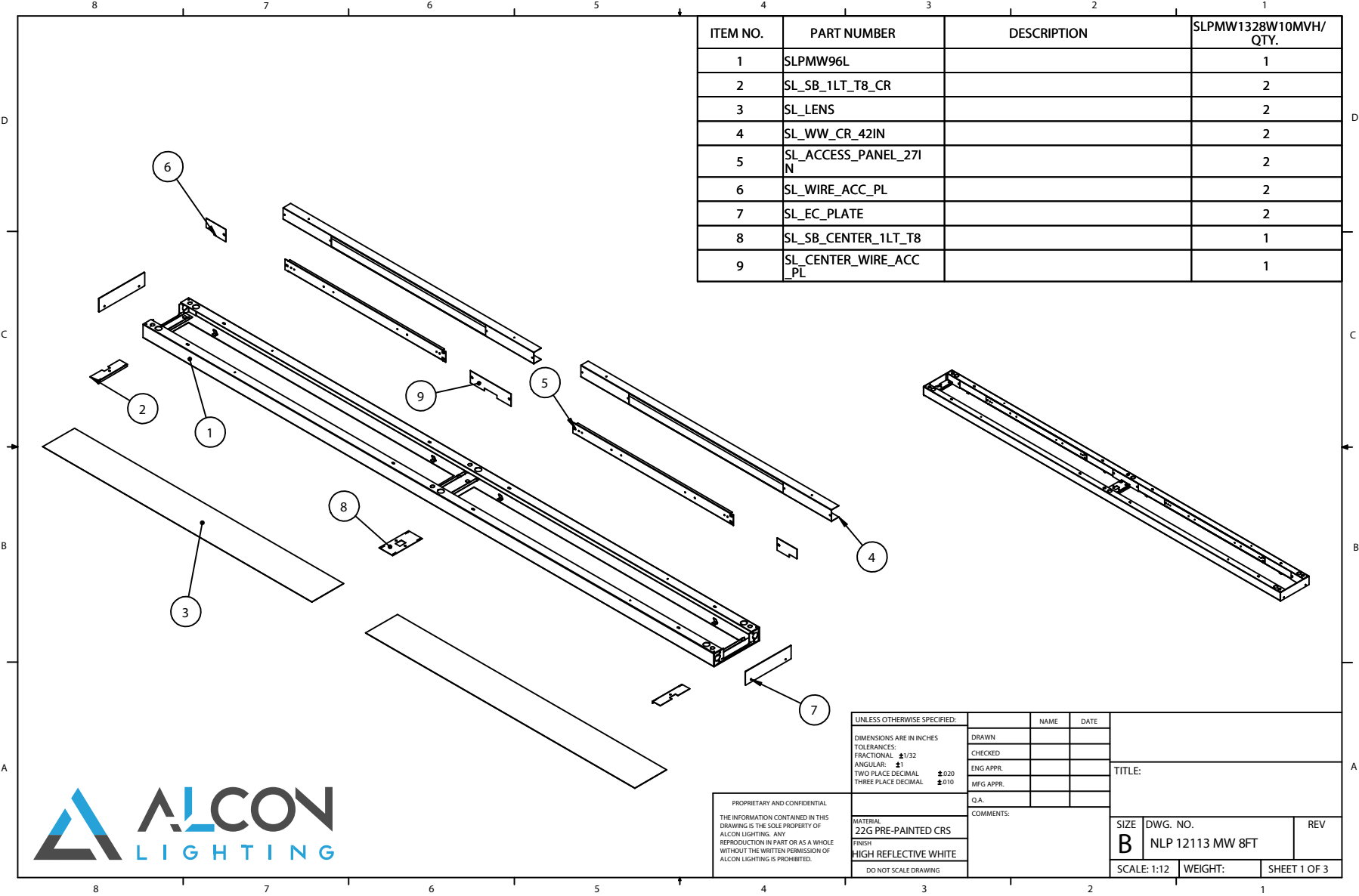


ITEM NO.	PART NUMBER	DESCRIPTION	SLPMW1328W10MVH/ QTY.
1	SLPMW96L		1
2	SL_SB_1LT_T8_CR		2
3	SL_LENS		2
4	SL_WW_CR_42IN		2
5	SL_ACCESS_PANEL_27I N		2
6	SL_WIRE_ACC_PL		2
7	SL_EC_PLATE		2
8	SL_SB_CENTER_1LT_T8		1
9	SL_CENTER_WIRE_ACC PL		1



PROPRIETARY AND CONFIDENTIAL
 THE INFORMATION CONTAINED IN THIS
 DRAWING IS THE SOLE PROPERTY OF
 ALCON LIGHTING. ANY
 REPRODUCTION IN PART OR AS A WHOLE
 WITHOUT THE WRITTEN PERMISSION OF
 ALCON LIGHTING IS PROHIBITED.

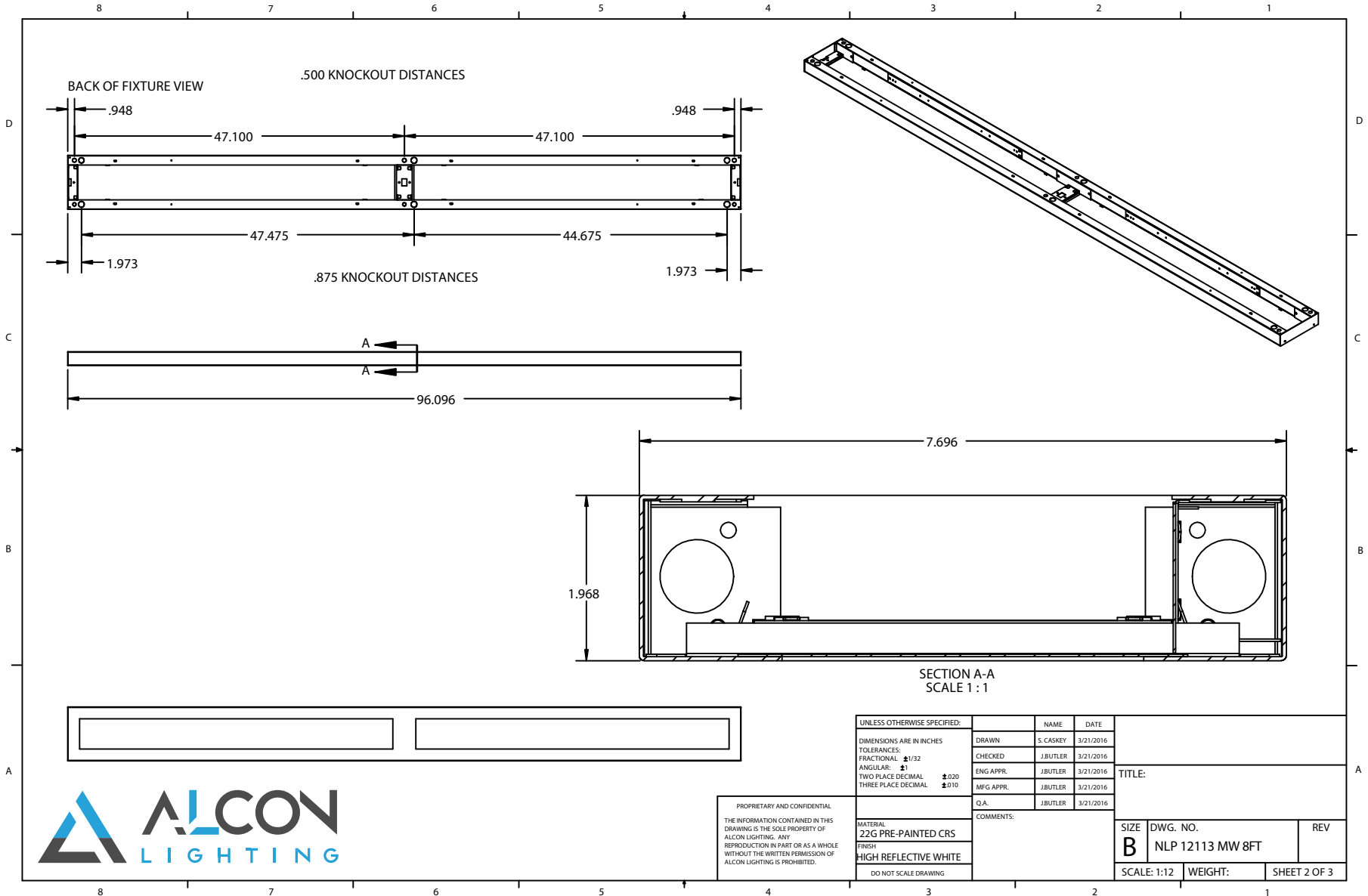
UNLESS OTHERWISE SPECIFIED:
 DIMENSIONS ARE IN INCHES
 TOLERANCES:
 FRACTIONAL: $\pm 1/32$
 ANGULAR: ± 1
 TWO PLACE DECIMAL: ± 0.020
 THREE PLACE DECIMAL: ± 0.010

MATERIAL:
22G PRE-PAINTED CRS
 FINISH:
HIGH REFLECTIVE WHITE
 DO NOT SCALE DRAWING

	NAME	DATE
DRAWN		
CHECKED		
ENG APPR.		
MFG APPR.		
Q.A.		

COMMENTS:

TITLE:		
SIZE B	DWG. NO. NLP 12113 MW 8FT	REV
SCALE: 1:12	WEIGHT:	SHEET 1 OF 3



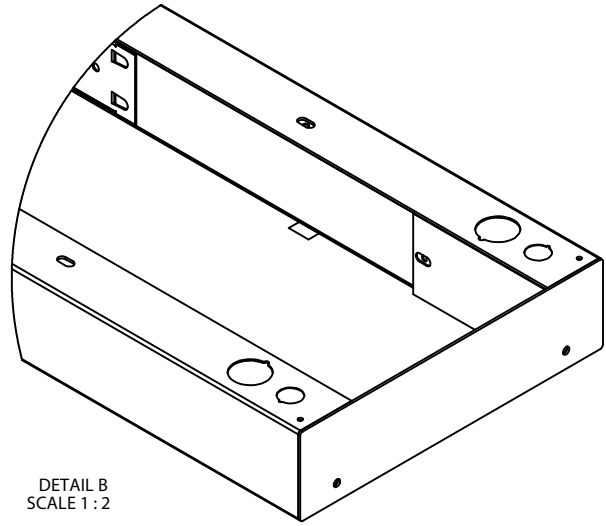
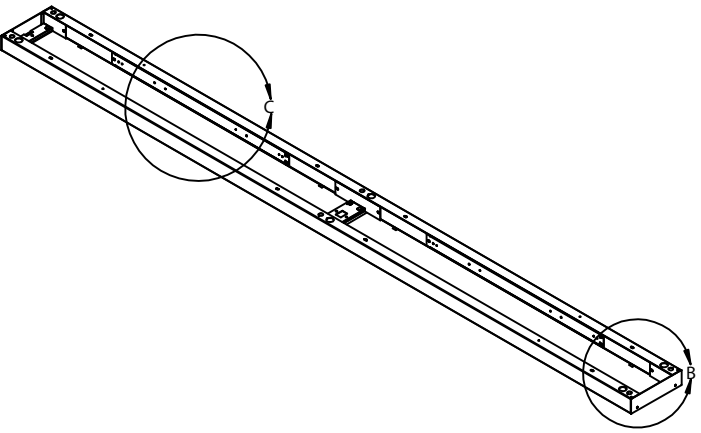
PROPRIETARY AND CONFIDENTIAL
THE INFORMATION CONTAINED IN THIS DRAWING IS THE SOLE PROPERTY OF ALCON LIGHTING. ANY REPRODUCTION IN PART OR AS A WHOLE WITHOUT THE WRITTEN PERMISSION OF ALCON LIGHTING IS PROHIBITED.

UNLESS OTHERWISE SPECIFIED:	NAME	DATE
DIMENSIONS ARE IN INCHES	DRAWN S. CASKEY	3/21/2016
TOLERANCES:	CHECKED J. BUTLER	3/21/2016
FRACTIONAL ±1/32	ENG APPR. J. BUTLER	3/21/2016
ANGULAR: ±1	MFG APPR. J. BUTLER	3/21/2016
TWO PLACE DECIMAL ±0.020	Q.A. J. BUTLER	3/21/2016
THREE PLACE DECIMAL ±0.010	COMMENTS:	
MATERIAL 22G PRE-PAINTED CRS		
FINISH HIGH REFLECTIVE WHITE		
DO NOT SCALE DRAWING		

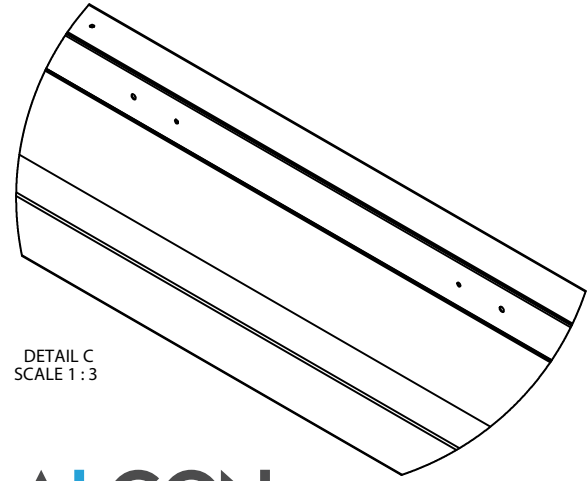
TITLE:		
SIZE B	DWG. NO. NLP 12113 MW 8FT	REV
SCALE: 1:12	WEIGHT:	SHEET 2 OF 3

8 7 6 5 4 3 2 1

D
C
B
A



DETAIL B
SCALE 1 : 2



DETAIL C
SCALE 1 : 3



PROPRIETARY AND CONFIDENTIAL
THE INFORMATION CONTAINED IN THIS DRAWING IS THE SOLE PROPERTY OF ALCON LIGHTING. ANY REPRODUCTION IN PART OR AS A WHOLE WITHOUT THE WRITTEN PERMISSION OF ALCON LIGHTING IS PROHIBITED.

UNLESS OTHERWISE SPECIFIED:		NAME	DATE
DIMENSIONS ARE IN INCHES		DRAWN	S. CASKEY 3/21/2016
TOLERANCES:		CHECKED	J. BUTLER 3/21/2016
FRACTIONAL: $\pm 1/32$		ENG APPR.	J. BUTLER 3/21/2016
ANGULAR: ± 1		MFG APPR.	J. BUTLER 3/21/2016
TWO PLACE DECIMAL: ± 0.020		Q.A.	J. BUTLER 3/21/2016
THREE PLACE DECIMAL: ± 0.010		COMMENTS:	
MATERIAL: 22 G PRE-PAINTED CRS			
FINISH: HIGH REFLECTIVE WHITE			
DO NOT SCALE DRAWING			

TITLE:		
SIZE B	DWG. NO. NLP 12113 MW 8FT	REV
SCALE: 1:12	WEIGHT:	SHEET 3 OF 3

8 7 6 5 4 3 2 1