

Project Name:

Type:

Quantity:

FIXTURE SPECIFICATIONS

INTENDED USE

The **Mushroom Low Voltage Architectural LED Landscape Path Light Fixture** is the ideal outdoor lighting solution for illuminating pathways and gardens in residential and commercial settings. The Mushroom Low Voltage Architectural LED Landscape Path Light Fixture features high quality durability and energy efficiency.

FEATURES

Model Number: 9079

Lamp: LED Bi-Pin

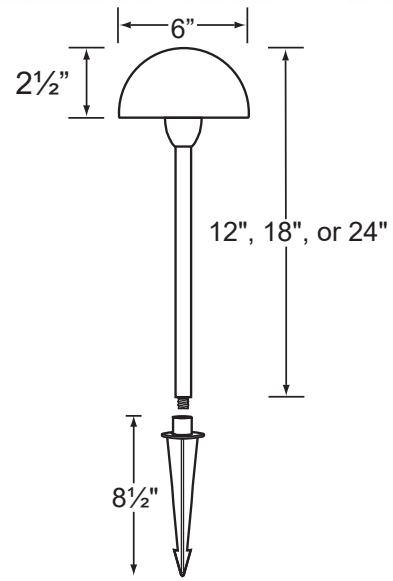
Construction: Solid Die Cast Brass

Weight: 3.5 lbs

Voltage: 12V

Dimming: Magnetic Low Voltage (MLV)

Mounting: 1/2" PVC Spike Included



Alcon Lighting 9079 Mushroom Solid Brass Low Voltage Architectural LED Landscape Path Light Fixture



Ordering Information: Example: (9079-AB-2-27-S12)

Model	Finish	Wattage Lumens Color Temp Beam Spread	Stem Mount Length	Options	
9079	AB Antique Bronze	2-27	2W 200L 2700K 360°	S12 <small>Standard</small> 12" Stem	LV62 Tree Mount
		25-27	2.5W 240L 2700K 180°		
	2-30	2W 210L 3000K 360°	S24 24" Stem		
	SS Stainless Steel	25-30	2.5W 250L 3000K 180°		
		2-20	2W 170L 2000K 360°		