

GENERAL INSTALLATION INSTRUCTIONS



**READ AND FOLLOW ALL SAFTY INSTRUCTIONS
PLEASE SAVE THESE INSTRUCTIONS AFTER INSTALLATION**



- WARNING -

To reduce the risk of death, electric shock, injury, property damage from fire, falling parts, and other hazards:

- Service of the equipment must be performed by qualified service personnel.
- Installation must be performed by a person familiar with the construction and operation of this product for any hazards involved.
- Read this document before installing, or maintaining this item or installing a lamp. These instructions do not cover all installation, or maintenance situations. If your situation is not covered, or if you do not understand these instructions or need additional information, please contact Alcon Lighting or your local Alcon Lighting Distributors.
- Read and follow all warnings and instructions provided by the lamp manufacturer.

- WARNING -

Before installing, or maintaining this item, follow these general precautions. To reduce the risk of electrocution:

- Make sure the equipment is properly on the ground.
- Always de-energize the circuit and/or item before connecting to, or disconnecting from the item.

To prevent fixture row from over-current:

- By adding the input current of each fixture section marked on the fixture, the total current per power feed must not exceed the maximum line wire amperage marked on the fixture and the power feed cord/wire amperage rating whichever the least.

To reduce the risk of fire:

- Keep any material away that can burn from hot lamp.
- Make sure lamps are correctly installed.
- Use supply conductors with a minimum installation temperature rating as specified on item.

To reduce the risk of personal injury from cuts, abrasions, or falling parts:

- Wear gloves to prevent cuts or abrasion from sharp edges when removing from carton, handling and maintaining this item.
- Do not use abrasive materials, glass cleaners or other solvents on reflectors or lens. These substances may cause damaged to the items.
- Do not install a damaged fixture.

- CAUTION -

Observe lamp manufacturer's recommendations and restrictions on lamp operation, including but no limited to ballast type, burning position, replacement and cycling. Use only lamps that comply with applicable ANSI standards.

NOTE: If lamp is marked  it contains mercury. Follow disposal laws. See www.lamprecycle.org

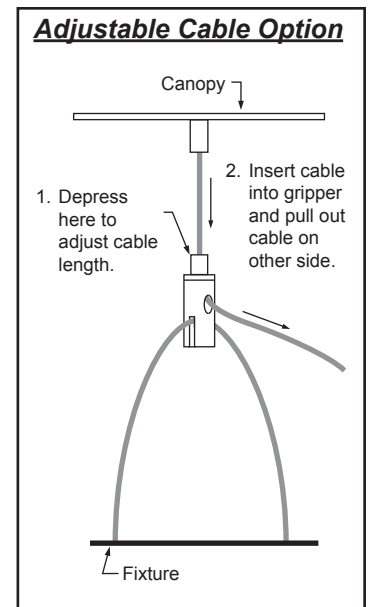
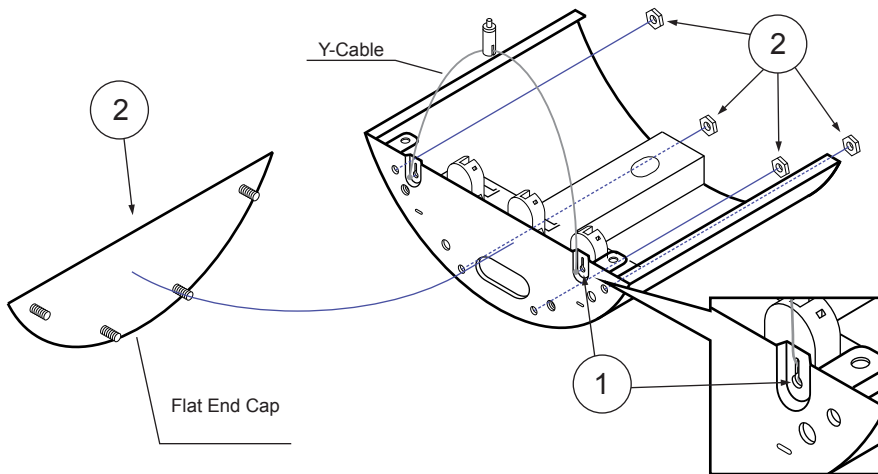


WARNING: Risk of fire and electrical shock. This product must be installed in accordance with the applicable installation code by a person familiar with the construction and operation of the production and the hazards involved.

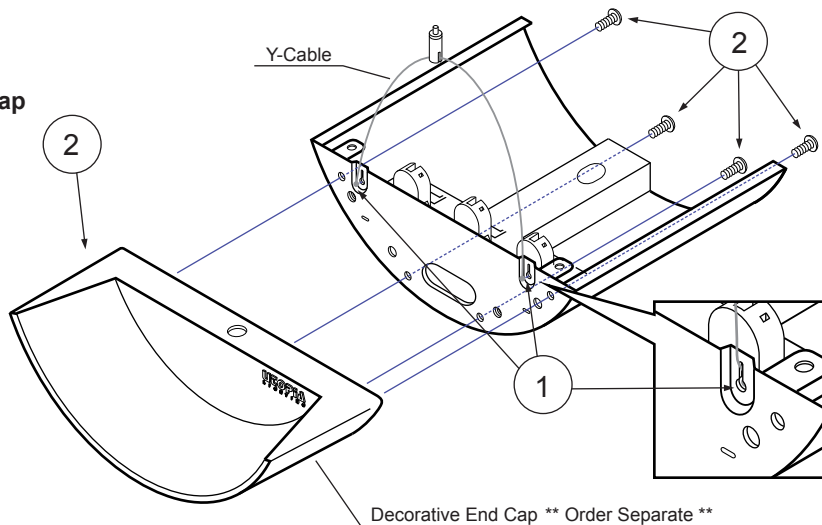
- A) Fixture Run Installation
- B) Fixture with Tenon Installation

A) Fixture Run Installation

A.1 Install Air Craft Cable Ball Type (Cable to Cable: 48", 96")

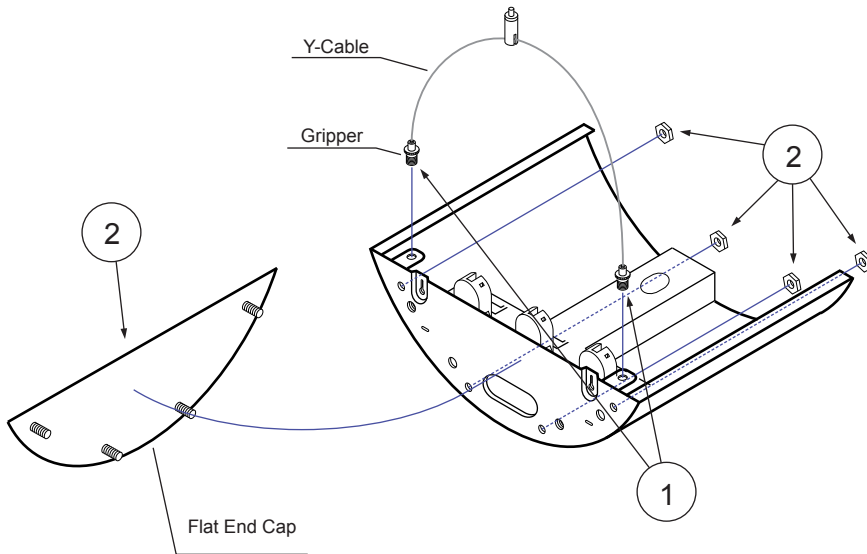


Decorative End Cap Option

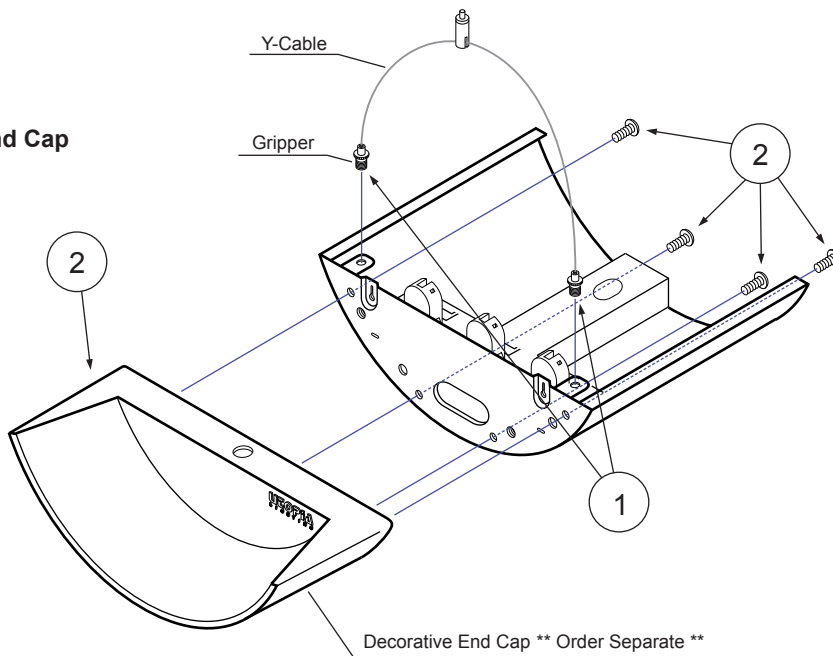


- 1) Bottom of air craft cable insert a round ball through a hole of fixture and pull up.
- 2) Attach end cap to the fixture feed end or spade end cap and secure with nuts or screws.

A.2 Install Air Craft Cable Screw Type (Cable to Cable 47-1/4", 95-1/4")

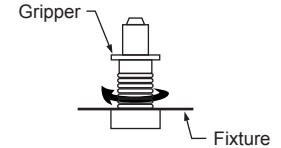


Decorative End Cap Option

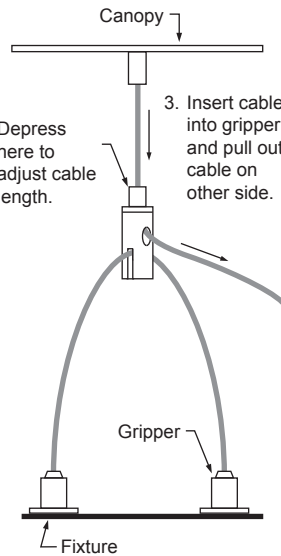


Adjustable Cable Option

1. Attach adjustable cable gripper to fixture and tighten securely.

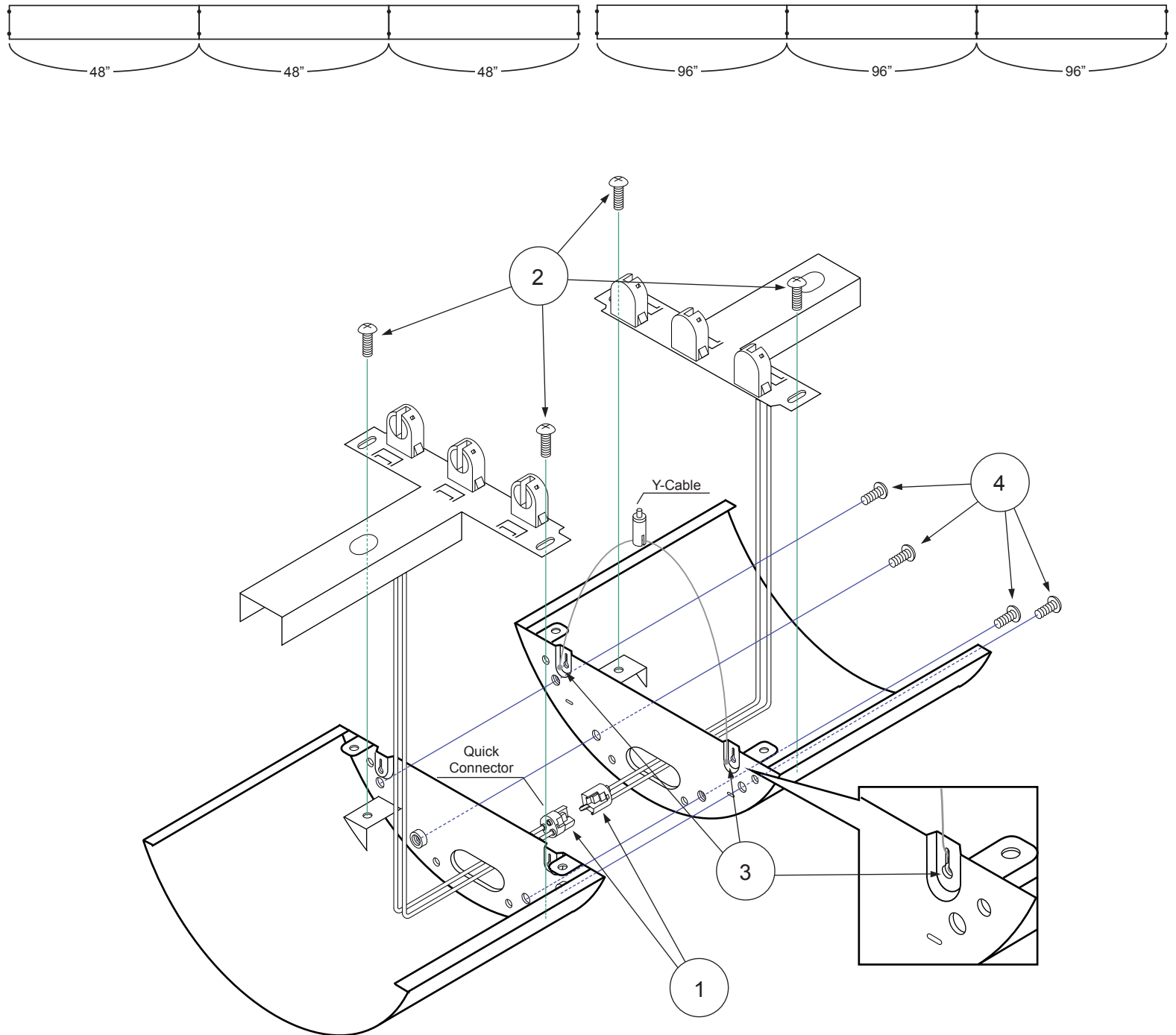


2. Depress here to adjust cable length.
3. Insert cable into gripper and pull out cable on other side.



- 1) Screw gripper into hangers on each end of the fixture.
- 2) Attach end cap to the fixture feed end or spade end cap and secure with nuts or screws.

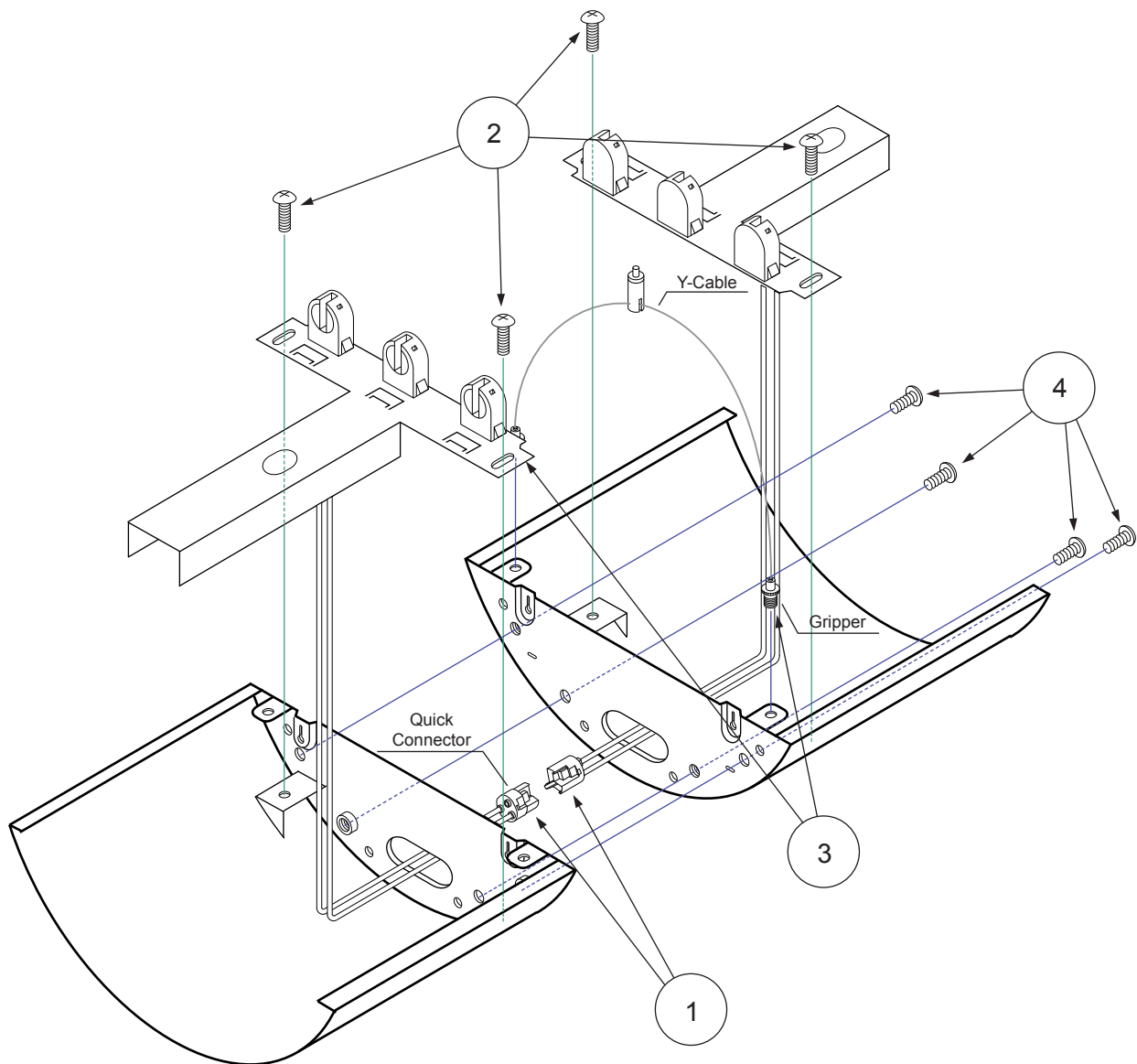
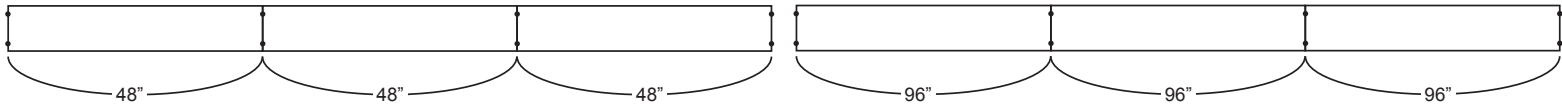
A.3 Joining Fixture Sections with Ball Type Cable (Cable to Cable: 48", 96")



- 1) Connect the male and female quick wire connectors.
- 2) Screw socket plates on to the fixture.
- 3) Bottom of air craft cable insert a round ball through a hole of fixture and pull up.
- 4) Bolt fixture together. Be sure to align and level the fixture for a straight row.

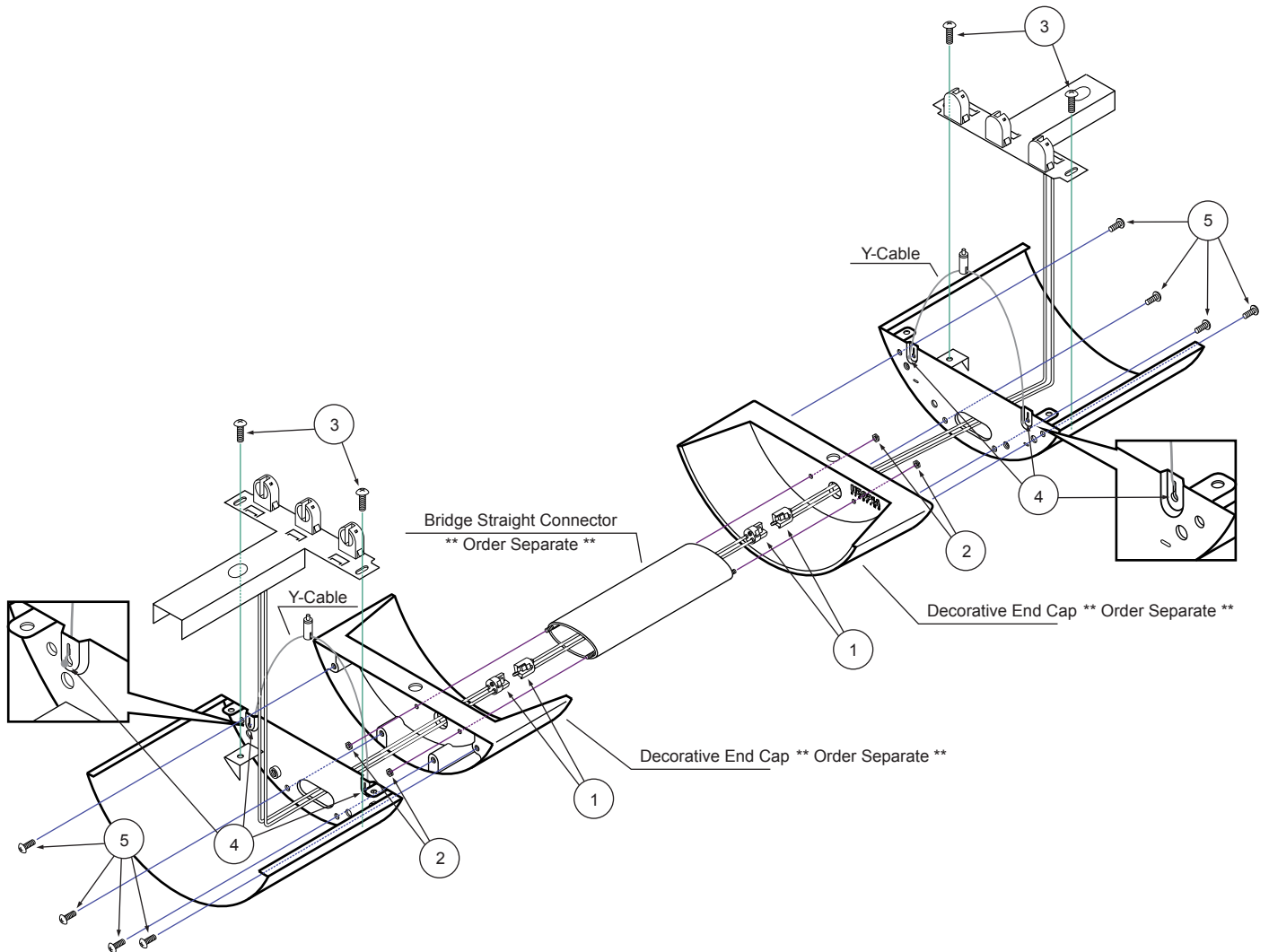
INSTALLATION INSTRUCTIONS

A.4 Joining Fixture Sections with Screw Type Cable (Cable to Cable: 47-1/4", 95-1/4")



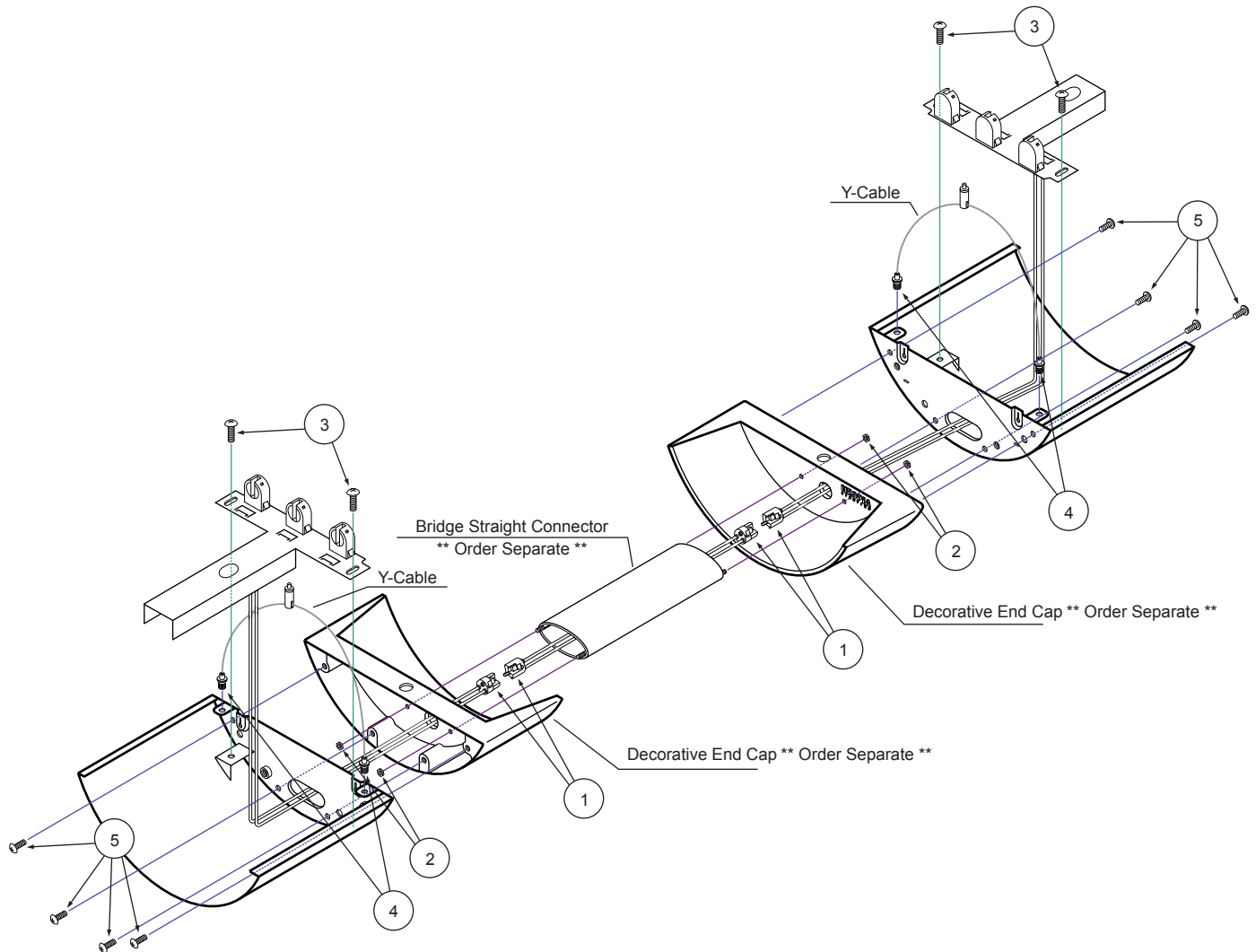
- 1) Connect the male and female quick wire connectors.
- 2) Screw socket plates on to the fixture.
- 3) Screw gripper into hangers on each end of the fixture.
- 4) Bolt fixture together. Be sure to align and level the fixture for a straight row.

B.1 Fixture with Tenon Installation with Ball Type Cable (Cable to Cable: 48", 96")



- 1) Connect the male and female quick wire connectors, then put connector into the bridge straight connector.
- 2) Connect bridge straight connector to spade end cap, then screw nut and tighten it.
- 3) Screw socket plates on to the fixture.
- 4) Bottom of air craft cable insert a round ball through a hole of fixture and pull up.
- 5) Bolt fixture together. Be sure to align and level the fixture for a straight row.

B.2 Fixture with Tenon Installation with Screw Type Cable (Cable to Cable: 47-1/4", 95-1/4")



- 1) Connect the male and female quick wire connectors, then put connector into the bridge straight connector.
- 2) Connect bridge straight connector to spade end cap, then screw nut and tighten it.
- 3) Screw socket plates on to the fixture.
- 4) Screw gripper into hangers on each end of the fixture.
- 5) Bolt fixture together. Be sure to align and level the fixture for a straight row.