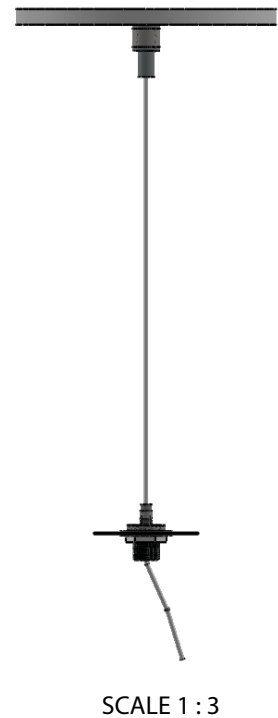
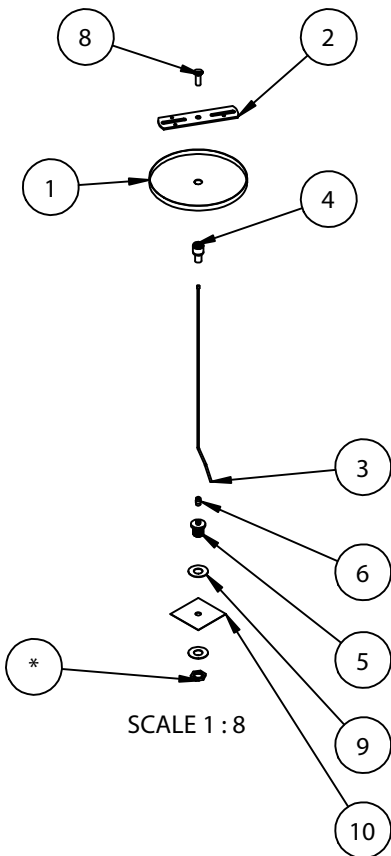
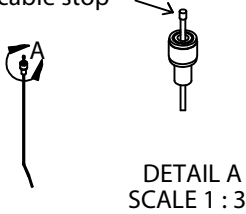


HC301 SUSPENSION KIT INSTALLATION INSTRUCTIONS

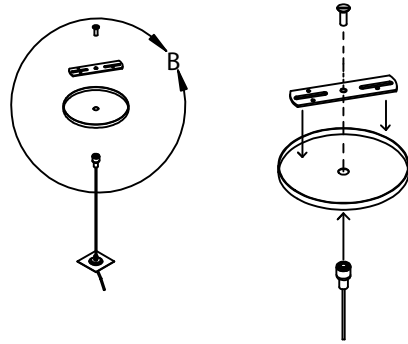
ITEM NO.	PART NUMBER	DESCRIPTION	QTY.
1	HC_401_5in_CANOPY		1
2	HC_CROSSBAR		1
3	TOP CABLE WIRE		1
4	HC_CC_250_202P		1
5	HC_301 END PIECE		1
6	MGR_SE_250_20-2		1
7	.250 IP .750 OD .250 THICL ZINC PLATED		1
8	CSBOLT 0.2500-20x0.75x0.75-S-N		1
9	.500 WASHER		2
10	SAMPLE FIXTURE ATTACH SPOT		1



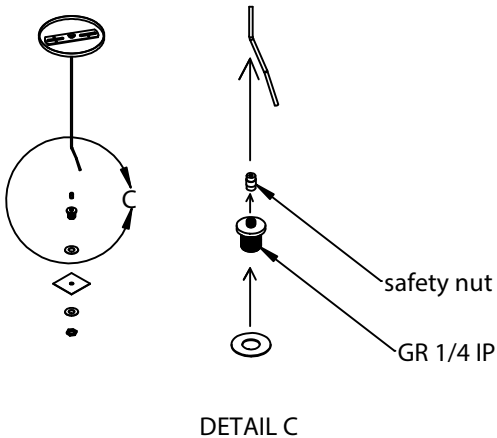
First slip your cable into the CC 1/4-202P all the way to the cable stop



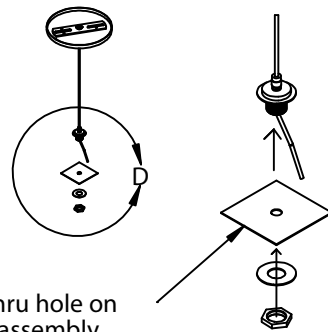
SECOND you place the Gem Bar (with ground screw inserted) into the Canopy over top the CC1/4-202P (with cable inside) and attach all components together with a countersunk screw 1/4 -20 3/4 long



THIRD slip the safety nut onto cable followed by pressing the cable through the GR 1/4 IP. once it is in desired location screw the safety nuts down onto the GR 1/4 IP and place washer as well.



FOURTH slip GR 1/4 IP into .500 hole into asseby. At this point you can add another washer for added security, followed by a 1/4 IP 3x4 OD thick zinc plated nut, screwed tightly onto the GR 1/4 IP



* NOTE THAT THE OVERAL DIAMETER OF THE WASHER USED WILL BE DEPENDANT UPON THE AMOUNT OF SPACE YOU HAVE ON THE ASSEMBLY YOU ARE ATTACHING THE HANGING KIT TO.

