

Project Name:

Type:

Quantity:

FIXTURE SPECIFICATIONS

INTENDED USE

Accentuate and illuminate landscaping exteriors, such as gardens and pathways, with the magnetic low-voltage, architectural-grade LED landscape path light. Our 6.5" wide path light, diecast in brass with an antique style finish, features golf ball-type pitting on the hood.

FEATURES

**W** 6.5" x **H** 24" **D** 6.5"

**Lamp:** LED bi-pin

**Finish:** Antique bronze

**Construction:** Solid die cast brass

**Weight:** 4 lbs

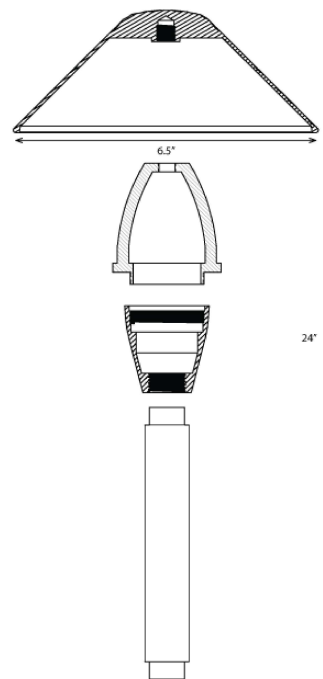
**Voltage:** 12 VDC/VAC

**Dimming:** Magnetic low voltage (MLV)

**Lumens:** 60 lumens per watt

**Color Temp:** 2700K

**Mounting:** 1/2" PVC spike included



Alcon 9058 Brass LED Landscape Path Light

ORDERING INFORMATION Example: (9058-20)

Model		Wattage	
9058	Golf	20	1.5W
		35	3W