

SHOP NOW >

FEATURES & SPECIFICATIONS

INTENDED USE

The Alcon Lighting **Ferrara** Architectural LED Directional Up Light Fixture features naturally etched finishes capable of withstanding the test of time. The Ferrara Directional Uplights are ideal for architectural landscape lighting applications.

DETAILS

L 4.75" x **Dia** 2.5"

Construction: Solid Brass with easy turn and lock shroud

Finish: Natural Brass

Lens: Clear and heat resistant convex glass

Wiring: Prewired with a 3' 18-2 SPT2-W direct burial cord

Socket: Top grade ceramic bi-pin with retention clip

Gasket: Silicone "O" ring seals face plate to housing providing weather tight protection

Knuckle: Adjustable brass knuckle with Phillips shaped screw. 1/2" NPT threaded male hub on bottom

Mounting: Black 8 1/2" ABS mounting spike with 1/2" NPT threaded male hub (1/2" NPT Spike included)

Electrical: Remote 12V transformer required (Not included)

Halogen Equivalent: MR16, 25W or 50W

ADDITIONAL FEATURES

Voltage: 12V AC/DC

Color Temperature: 2700K

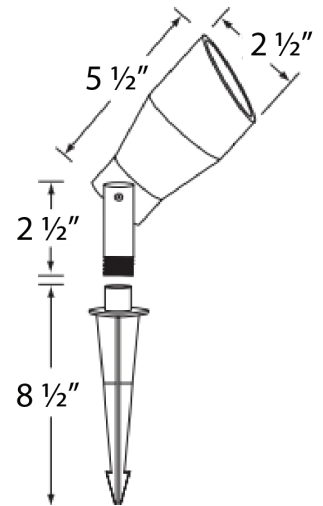
CRI: 80

Ambient Temperature: -22°F - 122°F

Life: 50,000 Hrs

Warranty: Limited Lifetime Warranty

5 Year Limited Warranty on LED



Ordering Information:

Example: (9017-5S)

Model	Wattage/Lumens/Optics	Mounting
9017	5S 5W / 450 lms / 15° Spot 5F 5W / 450 lms / 45° Flood 5WF 5W / 450 lms / 60° Wide Flood	(Blank) 1/2" NPT Spike Included MC Mounting Canopy MS6 6" Mounting Stem MS12 12" Mounting Stem MS18 18" Mounting Stem MS24 24" Mounting Stem MP 18" Mounting Pedestal (Black Finish)