

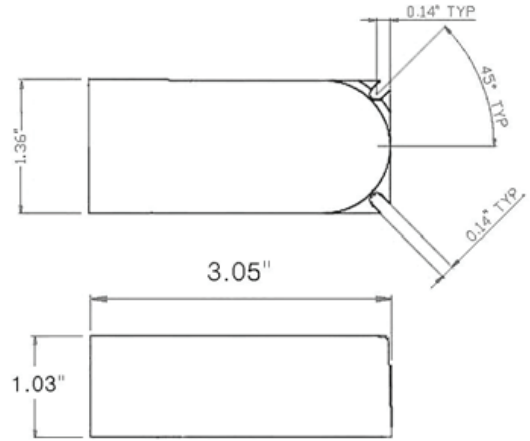
SPECIFICATIONS

INTENDED USE

The **Alcon Lighting 60W DC ELV Dimmable LED Class 2 Driver** is a reliable source of power where dimmable LED transformers are needed.

FEATURES

- Input:** 120V AC @ 50/60
- Output:** 24V or 12V DC
- Wattage:** 60W
- Dimmable:** ELV Dimmable
- Max Operating Environment:** 104 °F (40 °C)
- Max Housing Temperature:** 194 °F (90 °C)
- Total Harmonic Distortion:** <13%
- Listings:** UL, Class 2
- Warranty:** 3 Years Carefree for Parts & Components (Labor Not Included)
- Zero Minimum Load | Zero Crossover Blinking*



ORDERING INFORMATION Example: (ELVD60-24)

Model	Voltage
ELVD60 60W DC ELV Dimming Driver	24 24V
	12 12V