

## FEATURES & SPECIFICATIONS

### INTENDED USE

The **Cuadra 11-Light LED Pendant** is an Architectural Grade minimal suspended modular LED light. The Cuadra 11-Light LED Pendant is made of high quality aluminum ideal for energy efficiency, prolonged lifespan, and versatility bringing clean lines and clear light for an elegant lighting solution for any space.

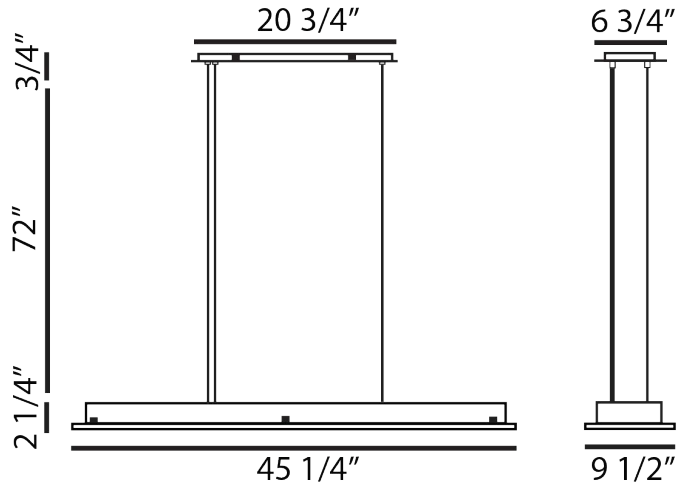
### DETAILS

**Model Number:** 12156  
**L** 45.25" (114.9cm) x **W** 9.5" (24.13cm) x **H** 2.25" (5.72cm)  
**Weight:** 19.8 lbs  
**Finish:** White

### ADDITIONAL FEATURES

**Type:** Pendant  
**Voltage:** 120V  
**Wattage:** 3W  
**Lumens:** 1800lm  
**Light Color Temp:** 3000K  
**CRI:** 80+  
**Dimming:** ELV Dimming  
**Shade:** White  
**Support:** 72" Adjustable Aircraft Cable  
 Bulb included

### LISTINGS



Alcon Lighting 12156 Cuadra 11-Light LED Architectural Suspended Pendant

### Ordering Information:

Example:(12155-120-3-18-30K)

Model	Voltage	Watts	Lumens	Light Color Temp
12156 Cuadra (11-Light)	120 120V	3 3W	18 1800lm	30K 3000K