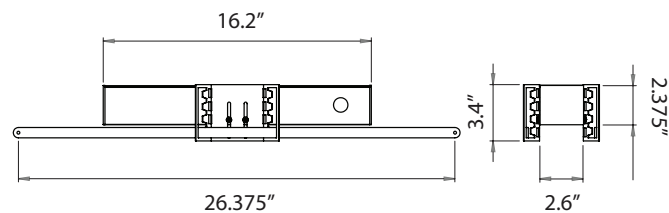
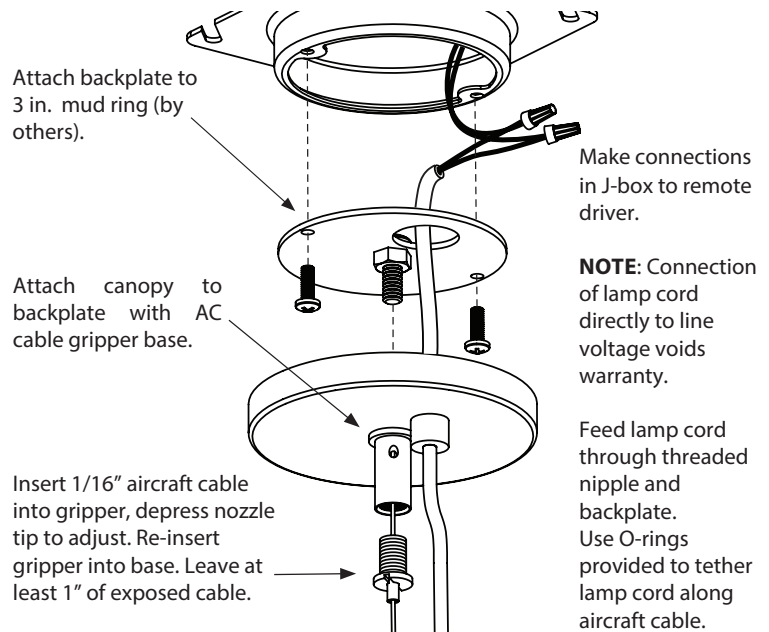
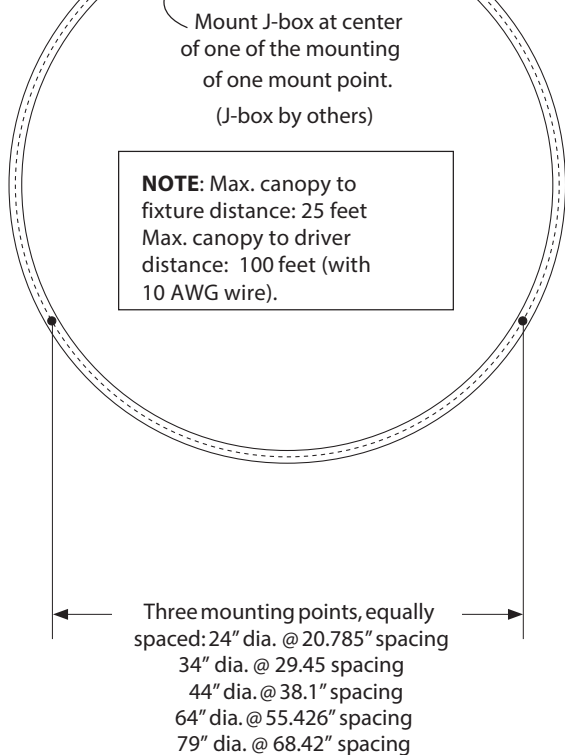
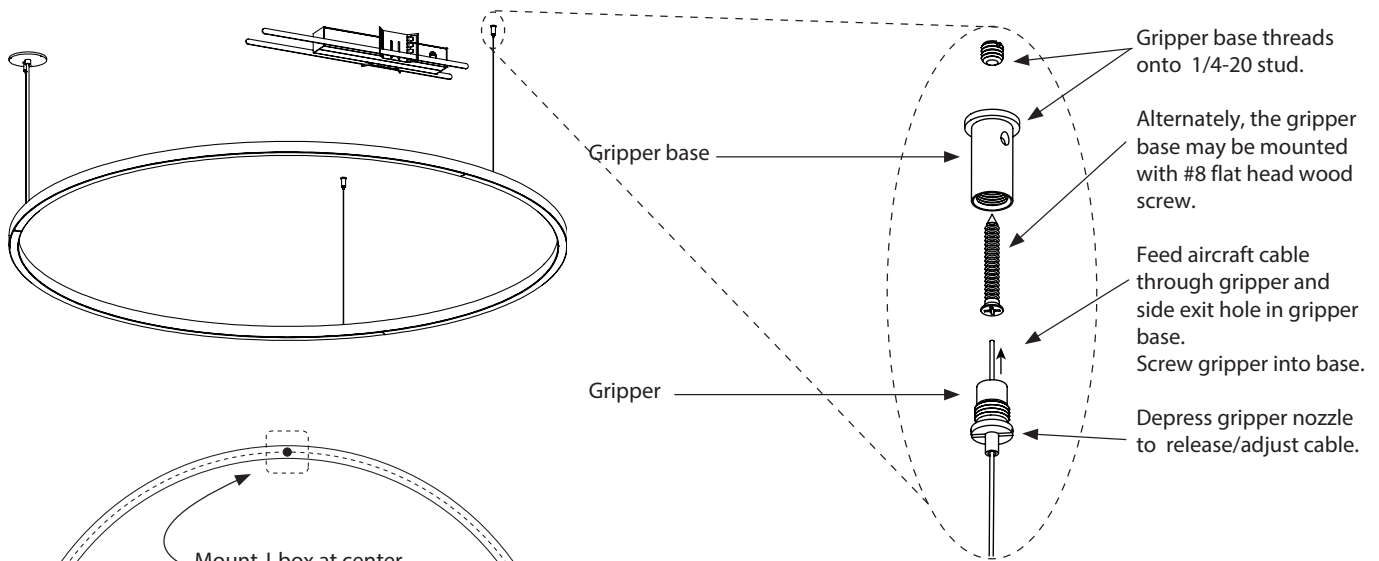


WARNING: Disconnect main power at the source prior to installation! Only qualified electricians should install Alcon Lighting products.



Direct (D) or Indirect (I) wiring:

Red to 24VDC positive
Blue to 24VDC negative

Direct and Indirect (DI) wiring:

Red to DC positive } Driver 1-Indirect
Blue to DC negative }
Red/White to DC positive Blue/White to DC negative } Driver 2-Direct

Dimming:

Purple and Gray wires from driver to 0-10V dimmer, cap if not used.

Remote driver includes bar hangers to mount above suspended ceilings. Drivers must remain accessible after installation. Driver housing must not be mounted any closer than 4 inches apart. Bar hangers and brackets may be removed for direct mount to structure with screws. Connect J-box to driver housing with conduit (by others).