

SHOP NOW >

FEATURES & SPECIFICATIONS

INTENDED USE

The Alcon Lighting **Bolzano I** Architectural LED Directional Up Light Fixture features naturally etched finishes capable of withstanding the test of time. The Bolzano I Directional Uplights are ideal for architectural landscape lighting applications.

DETAILS

L 3.75" x **Dia** 3.875"

Construction: 316 Grade Stainless Steel

Finish: Stainless Steel

Lens: Clear and heat resistant convex glass

Wiring: Prewired with a 3' 18-2 SPT2-W direct burial cord

Socket: Top grade ceramic bi-pin with retention clip

Gasket: Silicone "O" ring seals face plate to housing providing weather tight protection

Yoke: Stainless steel yoke with 1/2" NPT bushing for mounting spike

Mounting: 8" Stainless Steel spike 1/2" NPT threaded female hub (1/2" NPT Spike included)

Electrical: Remote 12V transformer required (Not included)

Halogen Equivalent: MR16, 25W or 50W

ADDITIONAL FEATURES

Voltage: 12V AC/DC

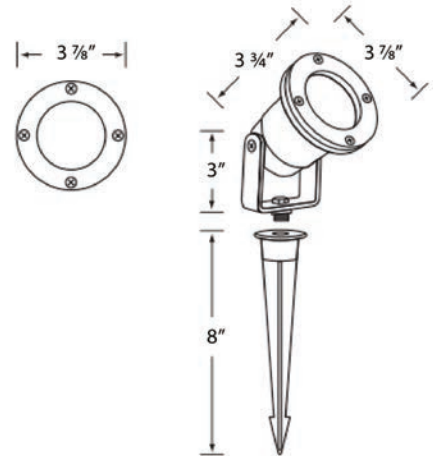
Color Temperature: 2700K

CRI: 80

Ambient Temperature: -22°F - 122°F

Life: 50,000 Hrs

Warranty: Limited Lifetime Warranty
5 Year Limited Warranty on LED



Ordering Information:

Example: (9014-5S)

Model	Wattage/Lumens/Optics	Mounting
9014	5S 5W / 450 lms / 15° Spot	(Blank) 1/2" NPT Spike Included
	5F 5W / 450 lms / 45° Flood	MC Mounting Canopy
	5WF 5W / 450 lms / 60° Wide Flood	MS6 6" Mounting Stem
		MS12 12" Mounting Stem
		MS18 18" Mounting Stem
		MS24 24" Mounting Stem
		MP 18" Mounting Pedestal (Black Finish)