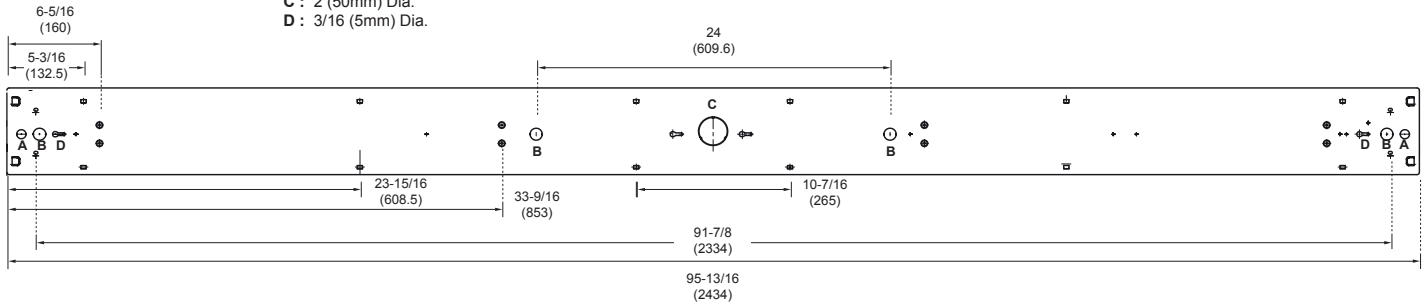


- A:** 11/16 (17mm) Dia.
- B:** 7/8 (22mm) Dia.
- C:** 2 (50mm) Dia.
- D:** 3/16 (5mm) Dia.



All dimensions are in inches (millimeters).

SIDE VIEW

