

FIXTURE SPECIFICATIONS

INTENDED USE

Alcon Lighting's Bitta II 9048 Dome 316 Grade Stainless Steel LED Bollard is configured for outdoor surface mount applications in commercial and industrial buildings. Ideal for pathways, walkways, entrances, and driveways.

ADDITIONAL FEATURES

Construction: 316 Grade Stainless Steel

Lens: White, heat resistant, polycarbonate lens

Lamp Type: Tubular G24 2P

Lumens: 2000 Lumens

Wattage: 20 Watts

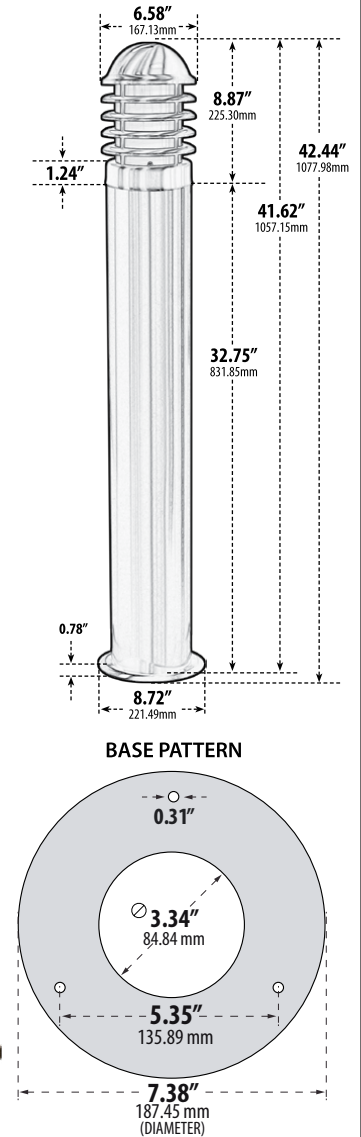
Voltage: 120-277V

Listings: ETL, CA Title-24

Mounting hardware included

Warranty: 3 Years carefree for parts & components

(Labor not included)



Bitta-II 9048 Dome 316 Grade Stainless Steel 42" LED Bollard Area Lighting

Ordering Information: Example: (9048-30)

Model	Color Temperature	
9048	30K	3000K
	50K	5000K