



SHOP NOW >

## FEATURES & SPECIFICATIONS

### INTENDED USE

The **Beam 253 Series Architectural Linear LED Suspension Lighting** fixtures bring clean lines and clear light to commercial LED or residential office lighting interiors. Our sleek, stylish fixtures offer highly effective and efficient lighting solutions for hotels, offices, retail outlets, restaurants, and more.

### SIZE

**8 FT - W 2.375" x L 96" x H 3.35"**

### ADDITIONAL FEATURES

**Voltage:** 120

**Wattage:** 36W

**Lumens:** 4200 lms

**Dimming:** 2-Wire Incandescent Dimming

**Color Temp:** 4000K

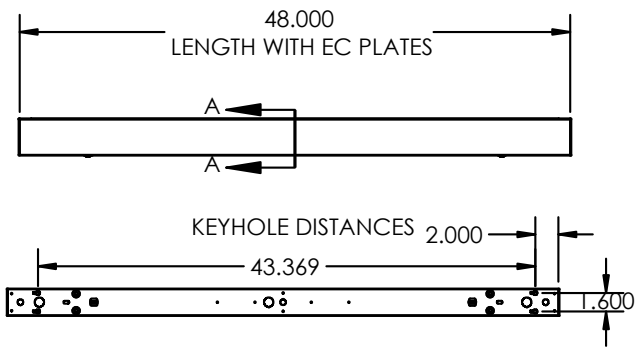
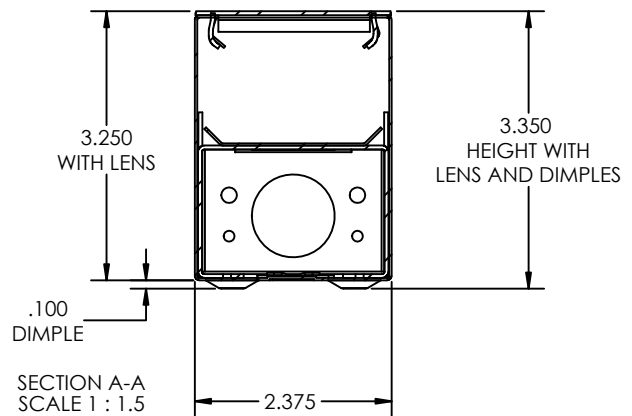
**Mounting:** 48" Aircraft cable, 3 Wire Power feed/ cable, White canopy included

**Lens:** Frosted lens

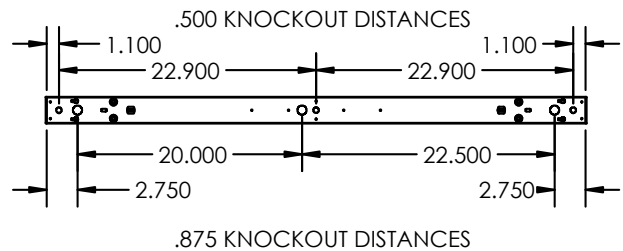
**Finish:** White

**Listings:** ETL and DLC for LED component only  
LED lamp included

### LISTINGS



### BOTTOM VIEW



### Ordering Information:

Example: (32145-8)

Model

**32145-8** Beam 253 Series

Alcon Lighting 32145-8 Beam 253 Series LED Architectural 2.5 Inch Aperture Enclosed Linear Dimmable Luminaire