



SHOP NOW >

FEATURES & SPECIFICATIONS

INTENDED USE

The **Beam 253 Series Architectural Linear LED Suspension Lighting** fixtures bring clean lines and clear light to commercial LED or residential office lighting interiors. Our sleek, stylish fixtures offer highly effective and efficient lighting solutions for hotels, offices, retail outlets, restaurants, and more.

DETAILS

8 FT - W 2.375" x **L** 96" x **H** 3.35"

ADDITIONAL FEATURES

Voltage: 120V-277V

Wattage: 36W

Lumens: 4200 lms

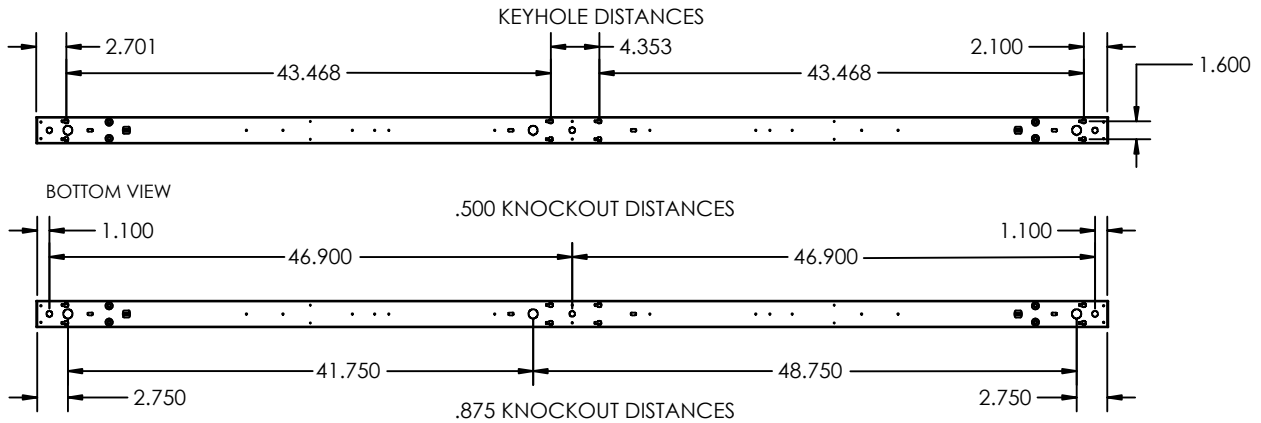
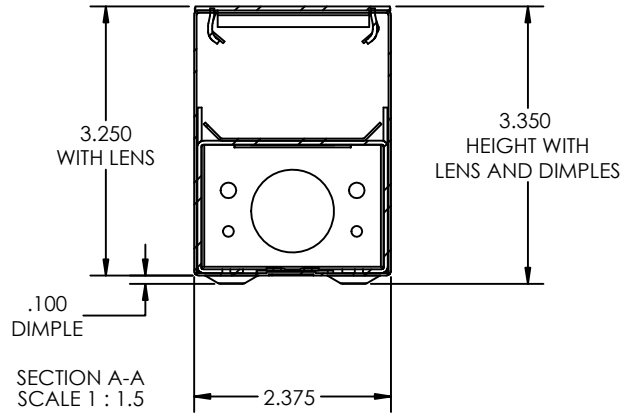
Dimming: 2-Wire Phase Dimming

Lens: Frosted lens

Mounting: 48" Aircraft cable, 3 Wire Power feed/ cable, White canopy included

Listings: ETL and DLC on LED component only LED lamp included

LISTINGS



Ordering Information:

Example: (12145-8-40K-WH)

Model	Color Temp	Finish	Options
<input type="text"/>	<input type="text"/>	<input type="text"/>	<input type="text"/>
12145-8 Beam 253 Series	35K 3500K 40K 4000K 50K 5000K	WH White BK Black SL Silver	CWK Continuous Row Wire Kit DIM-2W 2-Wire Phase Dimming

Alcon Lighting 12145-8 Beam 253 Series LED Architectural 2.5 Inch Aperture Enclosed Linear Luminaire