

12100 CONTINUUM 20 & 40 SURFACE MOUNT INSTALLATION INSTRUCTIONS

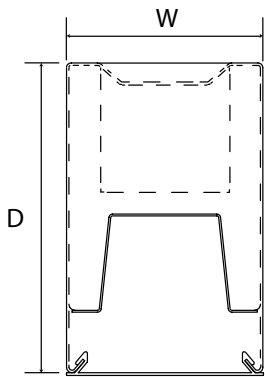


READ AND FOLLOW ALL SAFTY INSTRUCTIONS

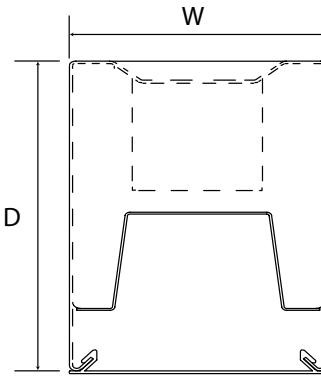
- WARNING -

To reduce the risk of death, electric shock, injury, property damage from fire, falling parts, and other hazards:

- Service of the equipment must be performed by qualified service personnel.
- Installation must be performed by a person familiar with the construction and operation of this product for any hazards involved.
- Read this document before installing, or maintaining this item or installing a lamp. These instructions do not cover all installation, or maintenance situations. If your situation is not covered, or if you do not understand these instructions or need additional information, please contact Alcon Lighting.



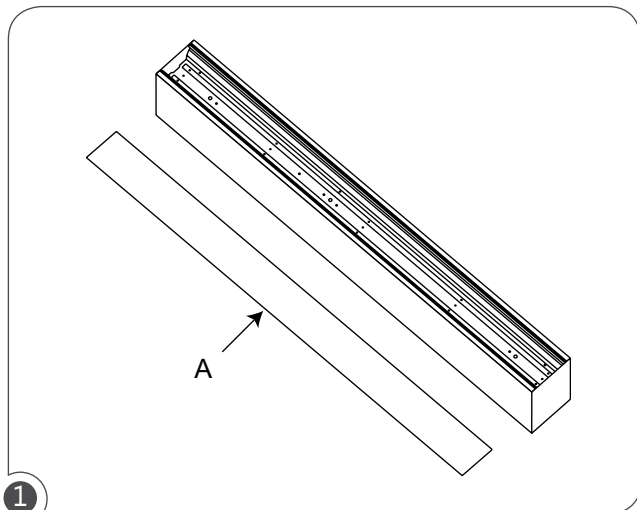
CONTINUUM 20
Width: 2.5" (64 mm)
Depth: 4" (101 mm)



CONTINUUM 40
Width: 4" (101 mm)
Depth: 4" (101 mm)

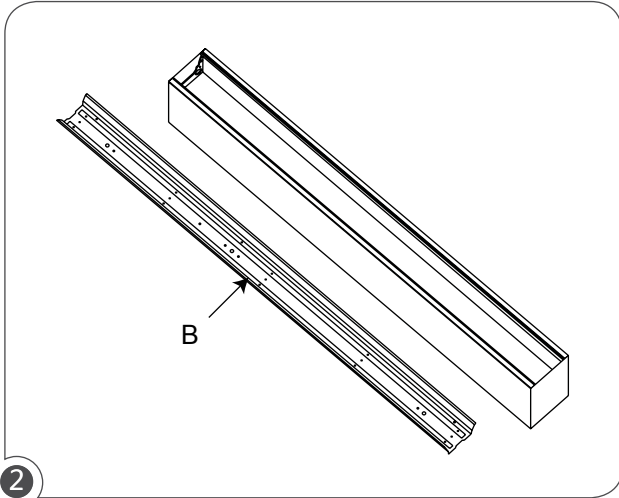
PART LIST

- A:** Lens
- B:** LED Module Plate
- C:** BX Cable Connector
- D:** Self-Drilling Anchor Screw
- E:** Washer
- F:** J-Box

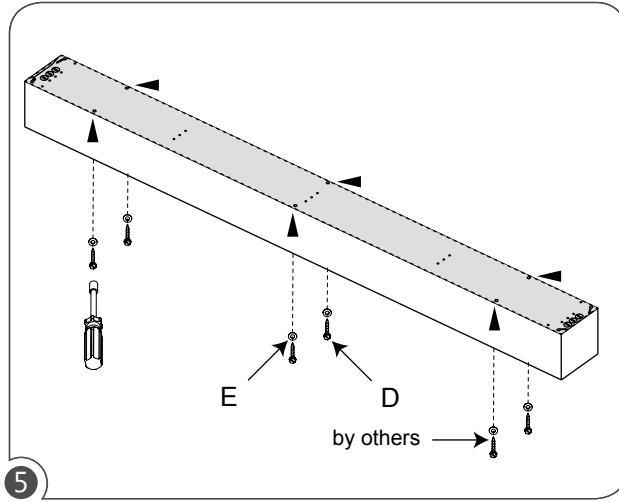


1 Remove **Lens (A)**.

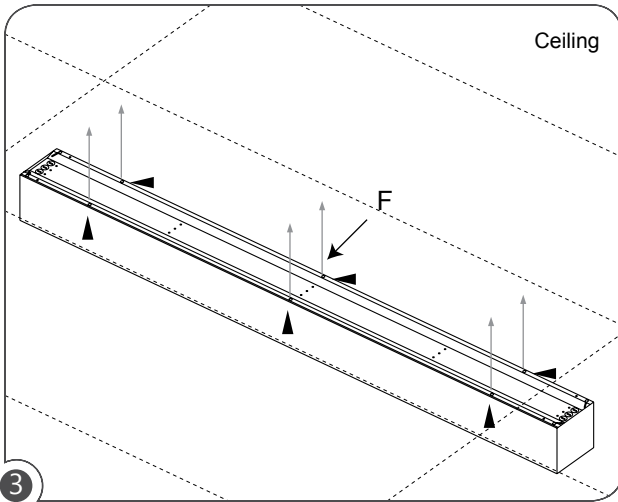
12100 CONTINUUM 20 & 40 SURFACE MOUNT INSTALLATION INSTRUCTIONS



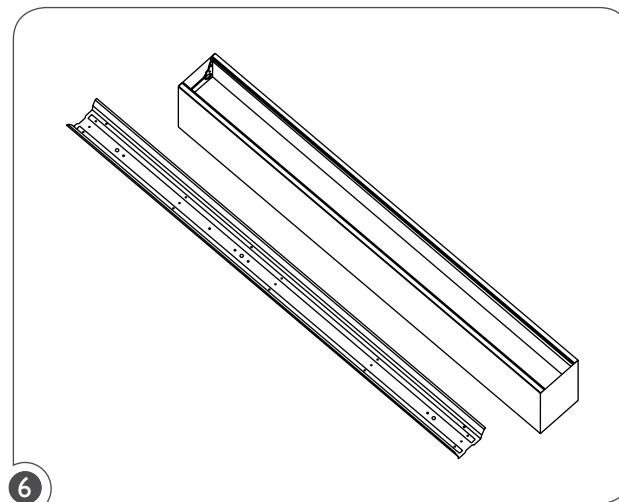
2 Remove LED Module Plate (B).



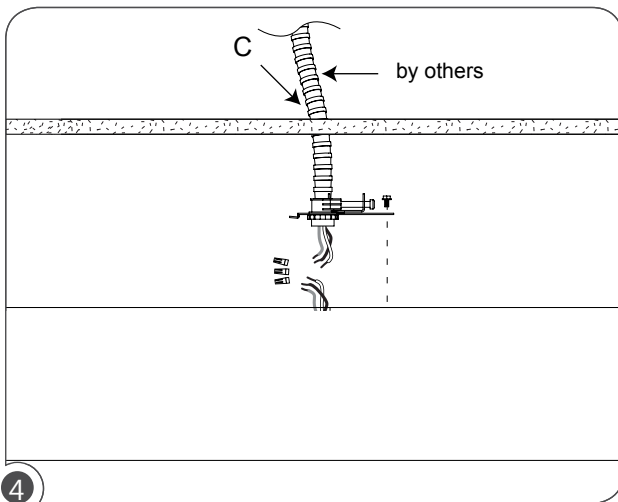
5 Screw fixture to ceiling using self-drilling Spiral Anchors (D) with Washer (E).



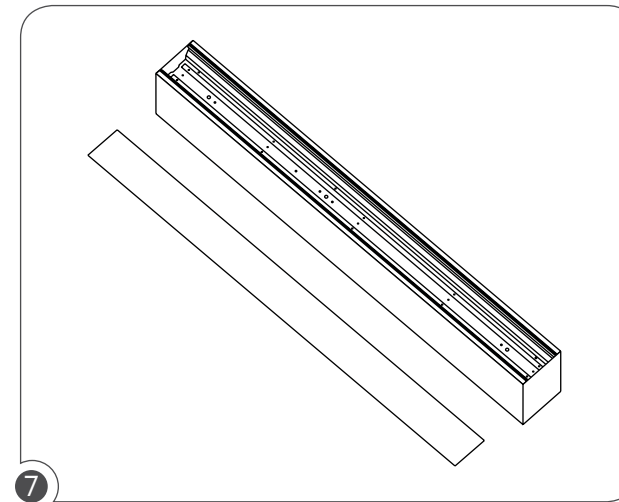
3 Align fixture to ceiling to mark holes and locate J-Box (F).



6 Install LED Module Plate (B).



4 Knockout hole for BX Cables (C) and make wire connection to fixture wires.



7 Close Lens (A).