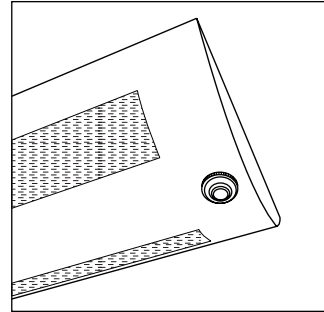
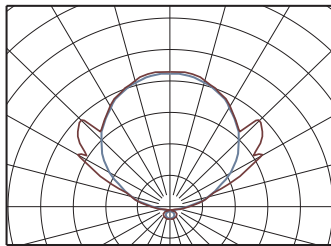


[ Top Diffuser Drawing ]

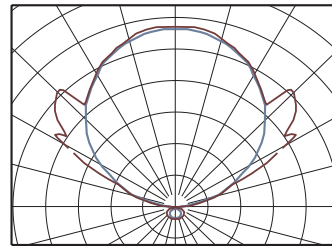


OS - Integrated Occupancy Sensor with Hold-Off Daylighting

PHOTOMETRICS



Low  
Color Temp. 4000K  
Lumens 4351  
93.6% up / 6.4% down



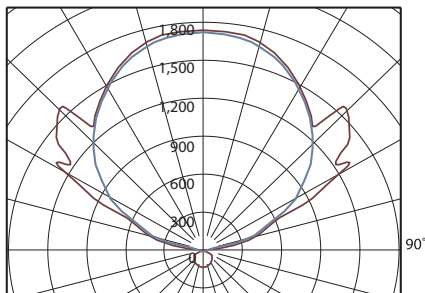
High  
Color Temp. 4000K  
Lumens 5968  
93.6% up / 6.4% down

CONFIGURATIONS			
	LED Watts	Input Watts	Lumen Output
4FT	60	56.6	4351
	72	68.6	5274
	81	77.6	5968
8FT	120	116.6	8965
	144	140.6	10810
12FT	180	176.6	13578
	216	212.6	16347
	243	239.6	18423

Zone	Lumens	% of Luminaire
0-40	147	2.5%
0-60	263	4.4%
0-90	380	6.4%
90-180	5589	93.6%

Distribution Data (12106-4-81W)

Polar Candela Distribution



Illuminance at a Distance

