

FEATURES & SPECIFICATIONS

INTENDED USE

The **Alcon Lighting Argyle Series Suspended Lighting Strip** features an industrial look providing a modern aesthetic with efficient and clean lighting. The Argyle Series is ideal for complementing stone, metal, brick, and glass interior designs, spaces, and applications.

DETAILS

4 FT - W 6" x L 48" x H 5.25"

8 FT - W 6" x L 98" x H 5.25"

Construction: Heavy duty die formed cold rolled steel body

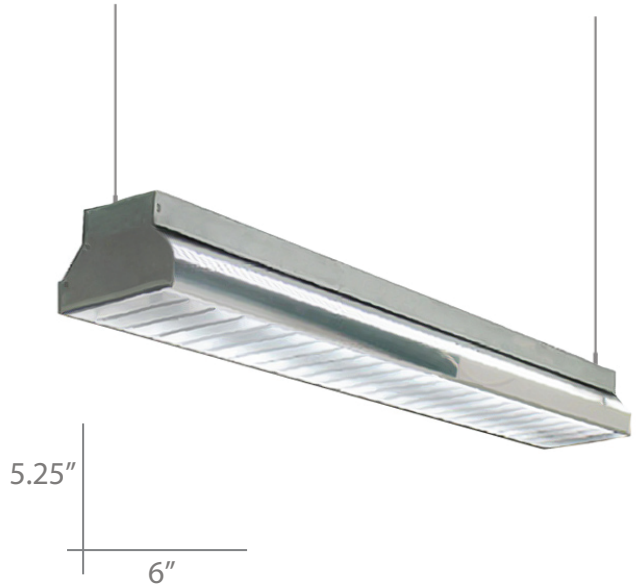
ADDITIONAL FEATURES

Type: Direct Downlight

Voltage: 120/277

Dimming: 0-10V

Warranty: 1 Year Carefree for Parts & Components (Labor Not Included)



Ordering Information:

Example: (12101-4-48W-30K-BK-AC48)

Model	Size/Wattage/Lumens	Color Temp	Finish	Suspension Length	Options
<input type="text"/>	<input type="text"/>	<input type="text"/>	<input type="text"/>	<input type="text"/>	<input type="text"/>
12101	4' 4-48W 48 watts, 5650 lms 4-57W 57 watts, 6400 lms 4-72W 72 watts, 8200 lms 8' 8-48W 48 watts, 5650 lms 8-97W 97 watts, 11300 lms 8-114W 114 watts, 12800 lms 8-144W 144 watts, 16450 lms	30K 3000K 35K 3500K 40K 4000K 50K 5000K	(Blank) White BK Black SL Silver	AC48¹ 48" Adjustable Aircraft Cable (x2); 0.4" Thick 5-Conductor Power Cable (x1); 5" Round Canopy (x2) ST24¹ 24" Stem (x2); 0.4" Thick 5-Conductor Power Cable (x1); 5" Round Canopy (x2)	EM Emergency Ballast

¹ White or Silver Finish Pendant shipped with a White Cable or Stem Kit. Black Finish Pendant shipped with a Black Cable or Stem Kit.