

# Ara LED Step Light Installation Instructions

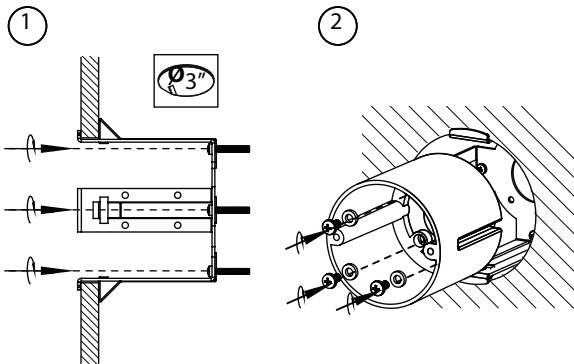


**READ AND FOLLOW ALL SAFTY INSTRUCTIONS**

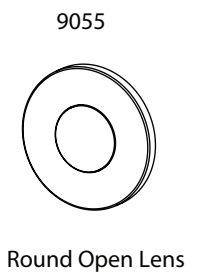
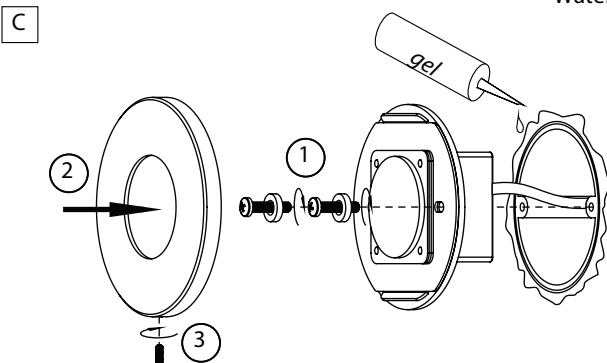
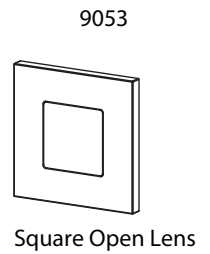
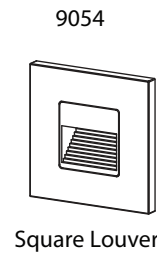
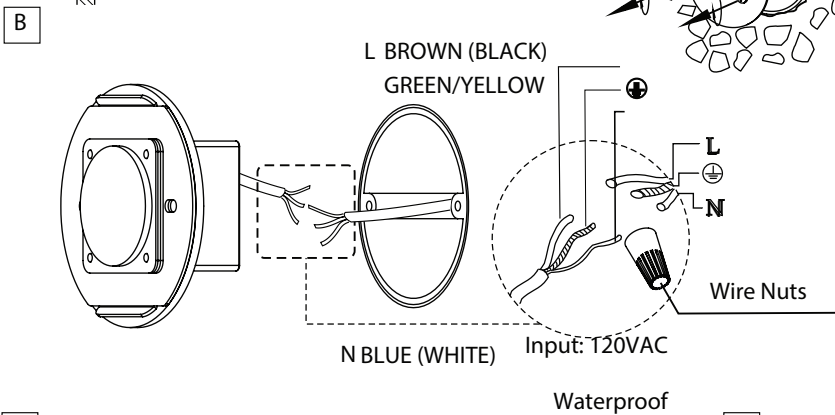
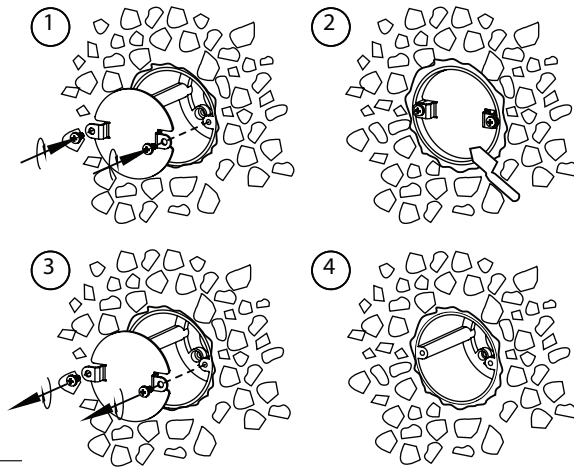
**- WARNING -**

1. IP Rating : IP65.
2. Before installation, make sure that the power supply is off.
3. Follow the steps as shown below for installation or replacement of bulb.
4. Please make sure the wire connection must be waterproof.
5. After finishing every step, tighten the screws, have the fixture fixed, then connect the power supply.
6. It is recommended that these products are installed by a qualified electrician.

**A-1**  
INSTALLATION  
(DRYWALL/PLYWOOD/OSB)



**A-2**  
INSTALLATION  
(MORTAR)



# Ara LED Step Light Installation Instructions



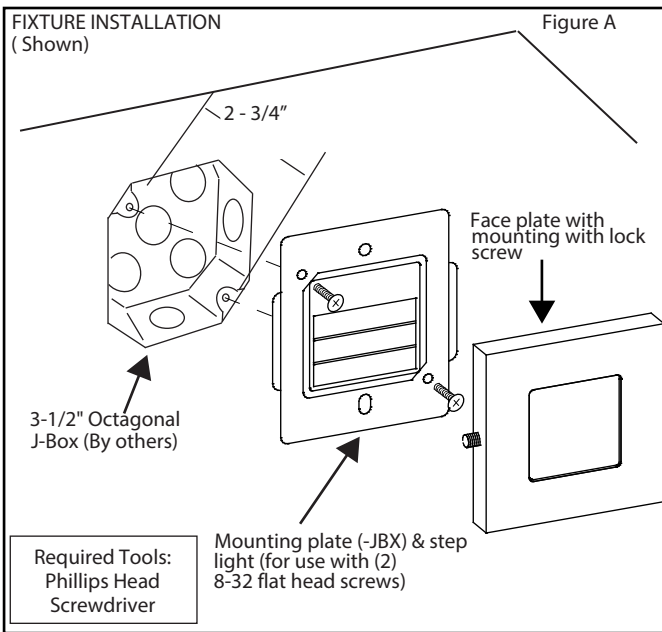
• **Danger:** Always disconnect power before wiring, or maintenance. Fixture must be installed by a qualified electrician. Do not install in locations where water collects and/or stands for prolonged periods of time. Fixture must always be installed according to local and national electrical codes, rules & regulations. Fixture must be installed on a circuit protected by Ground Fault Circuit Interrupter (GFCI).

• **Warning:** The joint MUST be sealed between the mounting surface (e.g., wall, ground, ceiling, etc.) and the fixture with an appropriate sealing / caulking compound to provide a watertight seal. Seal all conduit opening(s) and opening(s) from water entry. Before service ensure fixture is cool to touch. Always ensure that all gaskets and sealing surfaces are free of dirt and debris.

LED fixture(s), LED driver(s) and LED electrical components are more precise electrically than standard non LED products (e.g. Incandescent, Compact Fluorescent, H.I.D., etc.). Please follow the following guidelines/requirements when installing LED fixture(s)/LED driver(s).

1. Install LED fixture(s) and/or LED driver(s) only on their own circuit. Do not mix any other non LED products/fixtures (e.g., Incandescent, Compact Fluorescent, H.I.D., etc.) with LED fixture(s)/LED driver(s) on a single circuit.
2. Do not use any other electrical equipment (e.g., surge protectors, photocells, etc.) that is not (rated) for use with LED fixture(s)/LED driver(s) on the same circuit as LED fixture(s)/LED driver(s).
3. Use GFCI's (by others) on each circuit (per installation instructions) appropriate for the installation.
4. Install remote surge protector(s) (by others, goes on the circuit with nothing between the surge protector and the LED fixture(s)/LED driver(s) ), if the fixture is not already installed with a surge protector, to help remove power surges that may harm LED fixture(s), appropriate for the installation.

Periodically check and make sure that your remote surge protector(s) are in good working order.



## Fixture Installation:

1. Make sure supply wiring is in place before mounting fixture
2. Mounting Plate and step light mount directly to a 3 1/2" octagonal j-box. Make sure that mounting surface and/or j-box(etc.) can support fixture before installing fixture on mounting surface.

## Wiring Fixture:

1. Connect the ground wire (green or bare copper/aluminum) from the supply circuit to the ground wire (green) from the luminaire.
2. Connect the neutral (common) wire from the power supply to the neutral wire for the luminaire.
3. Connect the main voltage supply wire (line/lead) from the power supply to the li (lead) wire from the luminaire.
4. Secure connection using UL listed wire nuts/connectors and then with UL list electrical tape (by others), as required, appropriate to the connection. Instructions also compatible with products below:

