

FIXTURE SPECIFICATIONS

The drive over driveway in-ground RGB LED well light seamlessly blends durability, energy efficiency, and contemporary design. Featuring a heat-resistant tempered glass lens, this fixture optimizes light output while ensuring robust protection against environmental elements. Its remote-controlled RGB color-changing capability offers versatile lighting options, making it perfect for enhancing the ambiance of steps, walkways, gardens, parks, or any outdoor space where both functionality and style are key priorities.

FEATURES

- Construction:** 201 stainless steel housing with a polycarbonate body, reinforced by a 201 stainless steel top
- Lens:** Clear, heat-resistant, tempered glass with 98% transmittance
- Voltage:** 100-240V
- Color temperature:** RGB
- Remote Control:** IR remote control with on and off switch. Set 16 colors and choose 16 brightness levels for each. One remote control can control several luminaires.
- Memory Function:** A memory feature is available upon request to preserve the user's selected color setting, even after the fixture is powered off.
- Operating Temperature:** ~49°F - 131°F
- Life:** 30,000 Hrs
- Listing:** Wet-location rated, IP65
- Warranty:** 1 year carefree for parts & components (Labor not included)



Alcon Lighting 9034 In-Ground RGB LED Well Light

SPEC
GRADE

1
YEAR
WARRANTY

IP65

WET

ORDERING INFORMATION Example:

Model	Wattage	Size	Beam Angle
9034	⁹ 9 Watts	SM 5.9 Inches	10 10° Narrow Spot
	¹² 12 Watts	MD 7 Inches	15 15° Spot
	¹⁸ 18 Watts	LG 7.9 Inches	30 30° Narrow Flood
		XL 8.7 Inches	45 45° Flood
			60 60° Wide Flood

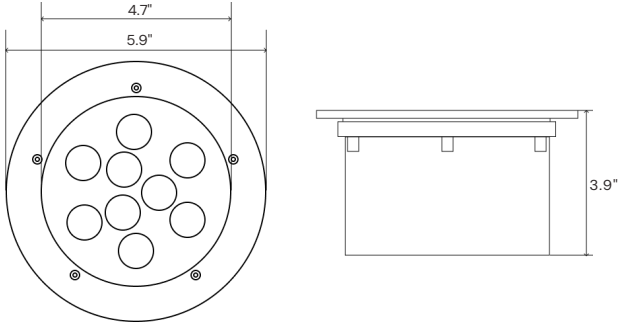
Size	Wattage
5.9"	9W
7"	9/12W
7.9"	12W
8.7"	18W

¹ Available in sizes SM and MD.
² Available in sizes MD and LG.
³ Available in size XL.

DIMENSIONS

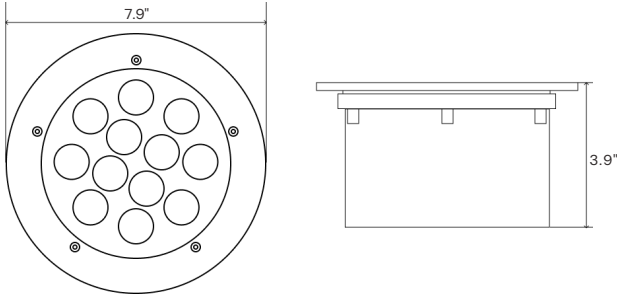
SM

9 LED Dials



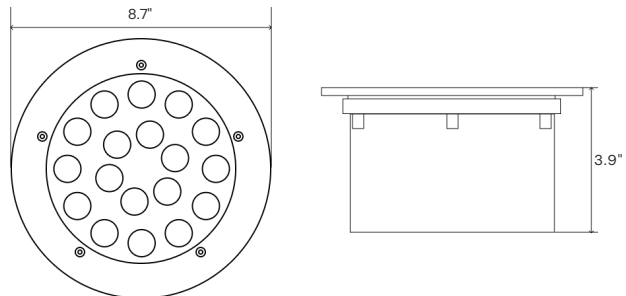
MD

12 LED Dials



LG

18 LED Dials



CONTROL

