

### FIXTURE SPECIFICATIONS

#### INTENDED USE

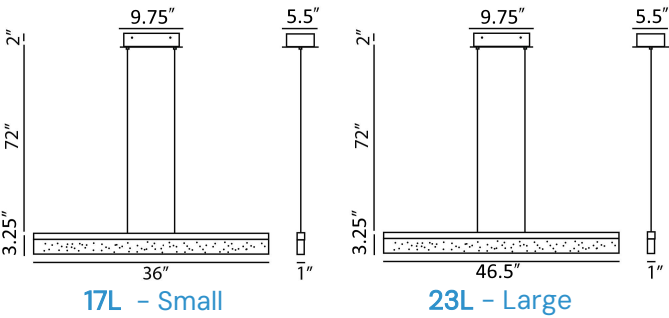
Alcon Lighting's slim, linear pendant product nets solid, opal-diffused high-Color Rendering Index (CRI) LED light from an architectural-grade, extruded aluminum channel. This makes our product perfect for efficient, versatile use with prolonged endurance. The 120-volt downlight provides clear light and clean lines for elegant lighting in commercial and residential spaces. Perfect for the kitchen island.

#### FEATURES

- Construction:** Aluminum Body
- Lens:** Frosted Acrylic
- Mounting:** 72" Adjustable Aircraft Cable
- Voltage:** 120V
- Light Color Temp:** 3000K
- CRI:** 80+
- Dimming:** ELV Dimming
- Warranty:** 1 Year Carefree for Parts & Components  
(Labor Not Included)



Alcon Lighting 12159 Slim Linear Pendant LED Light



### ORDERING INFORMATION Example: (12159-17L)

Model	Length   Wattage   Lumens
12159	17L 36"   24 Watts   1750 Lumens 23L 46.5"   32 Watts   2330 Lumens