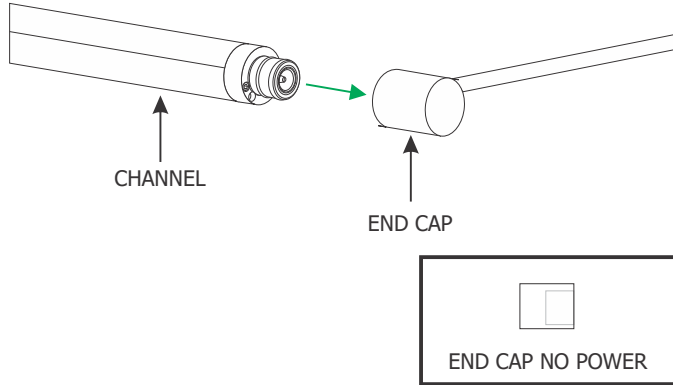
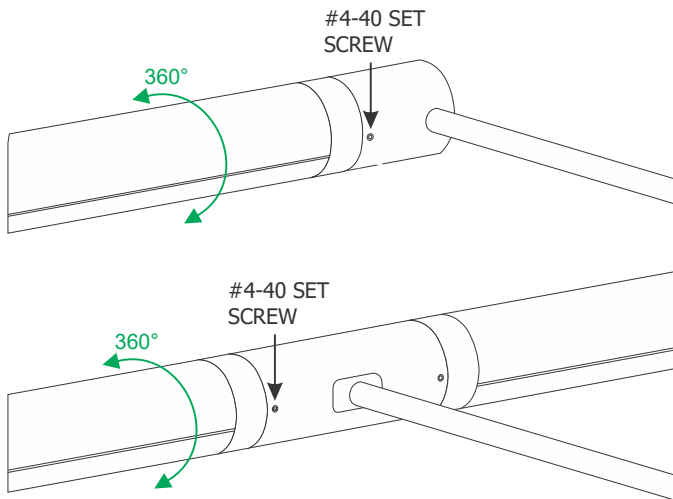


11703 INSTALLATION INSTRUCTIONS for ceiling/wall w/ 2" & 5" Canopy

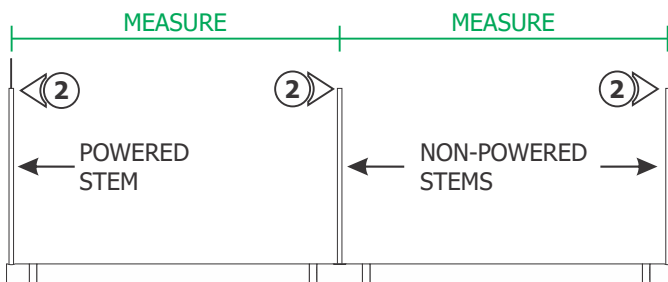


5: Snap the last channel to the last End Cap .



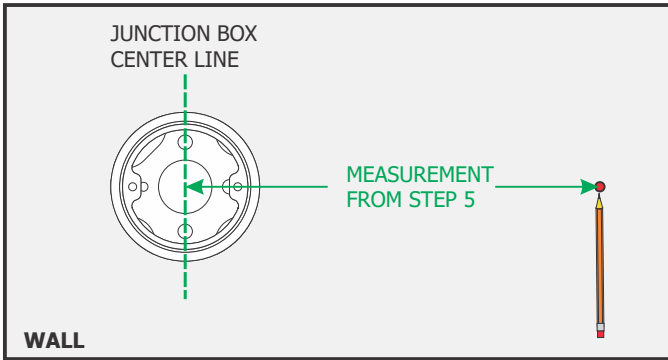
6: Rotate each channel to the desired angle.

7: Secure the channels by tightening the #4-40 set screws using a 0.05" Allen wrench.

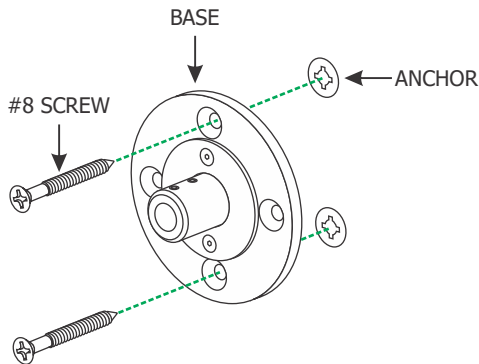


8: Measure the distance between the center of each stem.

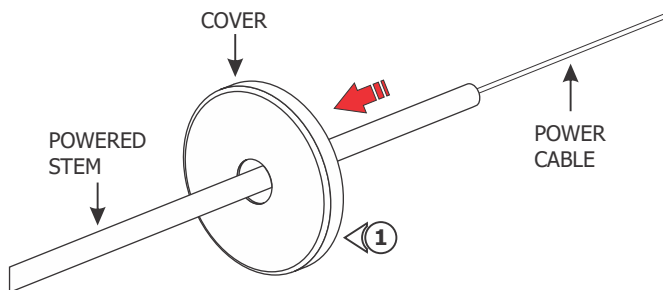
11703 INSTALLATION INSTRUCTIONS for ceiling/wall w/ 2" & 5" Canopy



9: The stem containing the power cable should be aligned with the center of the junction box. Mark the location of the non powered stem on the wall/ceiling from the center for the junction box. Ensure the marked point is leveled horizontally with the center of the junction box.



10: Secure the base to the anchors with two provided screws



11: Slide the canopy cover (provided) over the powered stem.

