

FEATURES & SPECIFICATIONS

Potenza II DP613 is a high quality line voltage decorative pendant that provides general illumination, eliminates the "cave" effect and produces good 3D lighting. This fixture comes in a medium and large size, Potenza II DP613 being the large sized fixture.

BODY

Includes extruded aluminum ballast housing with silver powder coated finish, clear prismatic acrylic diffuser dome to provide soft self-illumination and hides lamp from direct view.

MOUNTING

Canopy is attached over 4" octagonal junction box. Fixture is equipped with 2 aircraft cables anchored to the ceiling. Canopy is spun or die formed aluminum with silver finish paint.

BALLAST

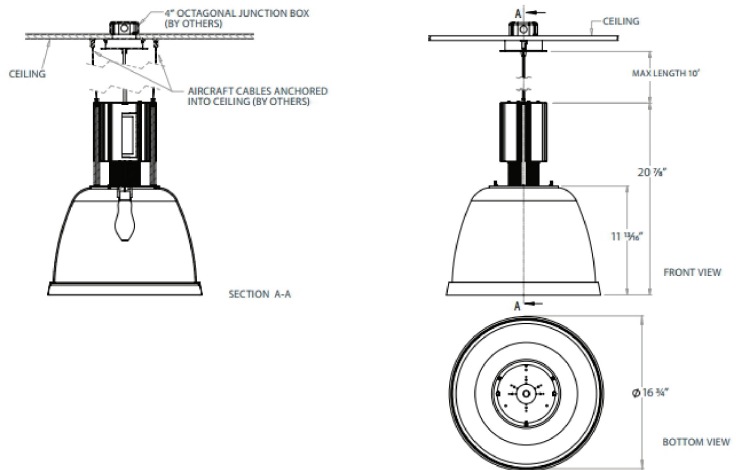
Provided with one electronic ballast for 120V-277V operation (CFL & CMH)

POWER CONNECTION

Provided with 3-conductor 18 AWG clear glossy PVC power cord. Maximum length is 10 ft.



Listings:



Ordering Information:

Example: (ALC-DP613-100-C-R)

| Model | Lamp Type | Finish | Canopy Options |
|-----------|--------------------|---------|----------------------------|
| ALC-DP613 | 39 1Lamp 39W CMH | C Clear | R Round Canopy silver |
| | 70 1Lamp 70W CMH | | F Flat Round Canopy silver |
| | 100 1Lamp 100W CMH | | |
| | U 1Lamp 42W CFL | | |
| | 2U 2Lamp 42W CFL | | |
| | 3U 3Lamp 42W CFL | | |
| | 4U 4Lamp 42W CFL | | |