

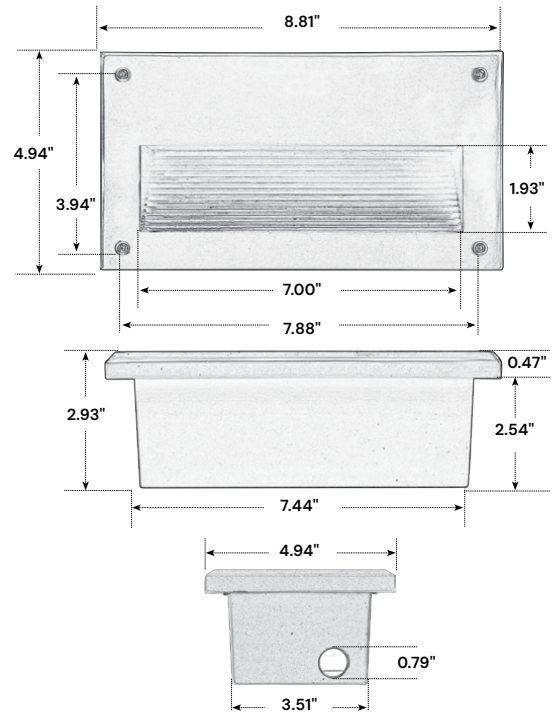
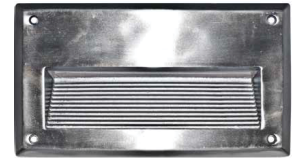
Project Name: \_\_\_\_\_ Type: \_\_\_\_\_ Quantity: \_\_\_\_\_

### INTENDED USE

Suitable for residential and commercial applications, including modern homes, parking garages, and office complexes, this recessed brick, step, and wall light is designed for seamless integration into brick, step, or wall surfaces. Its durable construction ensures longevity and resistance to the elements, making it ideal for both indoor and outdoor use. Available in multiple finishes, it offers versatility to complement various architectural styles while providing reliable, recessed illumination.

### FEATURES

- Construction:** Cast Aluminum
- Lens:** Heat Resistant Tempered Frosted Glass
- Wattage:** 7W & 9W
- Color Temperature:** 3000K & 6500K
- Lumens:** 600 lm (30K) - 650 lm (65K) & 800 lm (30K) - 850 lm (65K)
- Voltage:** 84-264V
- Life:** 50,000 Hours
- Warranty:** 3 Years Carefree for Parts & Components. (Labor Not Included)
- Listing:** ETL Approved for Wet Location



### ORDERING INFORMATION Example:

Model	Watts		Color Temp		Finish	
<b>9607</b>	<b>7</b>	7W	<b>30K</b>	3000K	<b>WH</b>	White
	<b>9</b>	9W	<b>65K</b>	6500K	<b>BK</b>	Black
					<b>BZ</b>	Bronze